



# Cordsets and Field Attachables

Bulletin Numbers 879D, 879P, 888B, 888D, 888H, 888M, 888N, 888P, 888R, 889, 889B, 889D, 889L, 889M, 889N, 889P, 889R, 898P, 898R, 889S, 889V

<b>Topic</b>	<b>Page</b>
Summary of Changes	1
Product Overview	2
Mini Style	3
Mini-plus Style	22
DC Micro Style	30
M12 Power (L-code)	64
AC Micro Style	68
EAC Micro Style	83
Pico Style	85
Patchcords	95
V-cables	97
Splitters – Pico Style	99
Receptacles – Pico Style	101
Terminal Chambers – Pico Style	102
Field Attachable – Pico Style	103
Cordsets and Patchcords – M23 QD Style	104
Receptacles – M23 Style	106
Field Attachable – M23 Style Solder Type	108
DIN Valves	109
Receptacles – Insulation Displacement Connectors (IDC)	120
Cable Spools	121

## Summary of Changes

This publication contains the following new or updated information. This list includes substantive updates only and is not intended to reflect all changes. Translated versions are not always available for each revision.

<b>Topic</b>	<b>Page</b>
Updated Cordsets table	5
Updated Pinout and Color Code table	6
Updated Pinout table	110

Allen-Bradley® passive connectivity components create a complete plug-and-play solution that simplifies and consolidates wiring while providing secure connections for proximity sensors, limit switches, photoelectric sensors, and other field devices. Available components include:

<ul style="list-style-type: none"> <li>• Cordsets (connector at one end, leads on the other)</li> <li>• Patchcords (connectors at each end)</li> <li>• Field-attachable connectors</li> <li>• Panel-mount receptacles</li> <li>• Distribution boxes</li> <li>• V- and Y-cables</li> <li>• Splitters and tees</li> <li>• Raw cable spools</li> </ul>	<b>Connectivity styles:</b> <ul style="list-style-type: none"> <li>• DC Micro (M12), 2-, 3-, 4-, 5-, and 8-pin</li> <li>• AC Micro (1/2 in.), 3-, 4-, 5-, and 6-pin</li> <li>• Mini (7/8 in.), 2-, 3-, 4-, 5-, and 6-pin</li> <li>• Mini Plus 7-, 8-, 9-, 10-, and 12-pin</li> <li>• EAC Micro</li> <li>• Pico™ 3- and 4-pin</li> <li>• M23</li> <li>• DIN Valve</li> </ul>
---	---

Various cable jacket materials and flex ratings for a wide range of applications and environments:

Cable Type	General Positioning	Sample Cat. No.
PVC	Cost-effective, general-purpose cable	889D-F4AC-2
PUR	Well suited for oil-based solutions and flex applications	889D-F4UC-2
TPE	All around automotive solution (weld, flex, fluids)	889D-F4HJ-2
ToughLink™	Heavy-duty construction for the most rugged environments	889D-F4HC-2
ToughWeld™	Best suited for weld slag resistance	889D-F4WE-2

## Application Considerations

<b>IMPORTANT</b>	For application layout examples, see the Connectivity & Network Media Brochure, publication <a href="#">CONEC-BRO01</a> .
------------------	---

### Positioning Tables

Application	PVC	PUR	TPE	ToughLink	ToughWeld
Environment	A	U	HJ	HC	WE
Flex-rated	–	✓	✓	✓	–
Aggressive welding environments (non-flexing)	–	–	–	–	✓
Aggressive coolants/fluids, machining – no flexing	–	–	–	✓	–
Machining robots, oil-based cutting fluid	–	✓	–	–	–
Welding robots, machining, general use within automotive plant	–	–	✓	–	–
Cold temperature and freezer applications [down to -40 °C (-40 °F)]	–	✓	–	✓	–
Relative cost	Low	Moderate	Moderate	High	Higher

## Application Compatibility

**Table 1 - General Properties**

	PVC	PUR	TPE	ToughLink	ToughWeld
Weld slag resistance	F	F	G-E	F	F
Subzero temperature flexibility	F	G-E	G	E	F-G
Constant bend and flex	F	E	E	F-G	F
Abrasion resistance	G	E	G	G	G
Ozone resistance	E	E	E	E	E
Sunlight and weathering	E	G	G	G	E

P = Poor, F = Fair, G = Good, E = Excellent

**Table 2 - General Chemicals**

	PVC	PUR	TPE	ToughLink	ToughWeld
Alcohols	E	G	E	E	E
Acids—mild diluted (less than 3% concentration)	E	G	E	E	E
Acids—strong (up to 50% concentration)	E	P-F	E	G	E
Alkalis—mild diluted (less than 3% concentration)	E	G	E	E	E
Alkalis—strong (up to 50% concentration)	E	P-F	E	G	E
Bleach	E	P-F	E	E	E
Oils, greases	G-E	E	E	G-E	E
Solvents, volatile (acetone, toluene, MEK)	P-F	P-F	P-F	P-F	P-G
Solvent oils (distilled mineral oils C5-C20, citrus oil)	P-F	G	P-F	P-F	G
Water (submerged)	E	G	E	E	E

P = Poor, F = Fair, G = Good, E = Excellent

**Table 3 - By Industry**

	PVC	PUR	TPE	ToughLink	ToughWeld
<b>Metalworking Oils/Coolants</b>					
Diluted with water	G	G	E	G	E
Waterless, oil-based	G	E	E	G	E
<b>Food and Beverage</b>					
Food/beverage industry soils (oils, fats, fruits, juices, vegetables, dairy, tomatoes, wine, vinegar)	G	G	E	G	E
Food/beverage industry chemicals (chlorinated alkaline cleaners, acidic mineral cleaners, detergents, sanitizers, convey, or lubricants)	E	G	E	E	E
<b>Automotive Fluids</b>					
Antifreeze (ethylene glycol)	E	G	E	G	E
Fuels (gasoline, diesel, kerosene)	G	E	G	G	G
Motor, transmission (ATF), axle oils, power steering fluid	G	E	E	G	E
Brake fluids (many different types available)	P-G	P-G	P-G	P-G	P-G

P = Poor, F = Fair, G = Good, E = Excellent

## Mini Style 16 AWG, ST00W PVC



4-pin Straight Mini Cordset

### Specifications

Attribute	Value
Certifications	UL Recognized and CSA Certified
<b>Mechanical</b>	
Coupling nut material	Epoxy-coated zinc
Housing material	Molded oil-resistant TPE
Contact material	Gold-plated palladium/nickel
Cable type	Oil-resistant yellow PVC jacket, 16 AWG stranded copper, 600V; UL Recognized and CSA Certified, ST00W-A
Bend radius	10x diameter
Cable diameter [mm (in.)]	<ul style="list-style-type: none"> <li>• 2/c = 10 (0.40)</li> <li>• 3/c = 10 (0.40)</li> <li>• 4/c = 11 (0.43)</li> <li>• 5/c = 13 (0.51)</li> <li>• 6/c = 14 (0.55)</li> </ul>
<b>Electrical</b>	
Cable rating	UL ST00W VW-1 105C 600V, CSA ST 105C 600V FT2 UV-, oil-, and water-resistant
Assembly rating	<ul style="list-style-type: none"> <li>• 2-pin = 600V, 13 A</li> <li>• 3-pin = 600V, 13 A</li> <li>• 4-pin = 600V, 10 A</li> <li>• 5-pin = 600V, 8 A</li> <li>• 6-pin = 600V, 8 A</li> </ul>
<b>Environmental</b>	
Enclosure type rating	NEMA 4, 6P, 12, 13; IP67; 1200 psi washdown, IP69K
Temperature rating	-20...+105 °C (-4...+221 °F)

### Mating Components and Accessories

Description	Cat. No.
Coupling adapters	889A-NADPT

## Product Selection

### Cordsets

No. of Pins	Assembly Rating	Color Code <sup>(1)</sup>	Cat. No. <sup>(2)</sup>			
			Straight Socket	Right-angle Socket	Straight Plug	Right-angle Plug
2-pin	600V, 13 A	A	889N-F2AFC-6F	889N-R2AFC-6F	889N-U2AFC-6F	889N-V2AFC-6F
3-pin		A	889N-F3AFC-6F	889N-R3AFC-6F	889N-U3AFC-6F	889N-V3AFC-6F
4-pin	600V, 10 A	B	889N-F3AFA-6F	889N-R3AFA-6F	889N-U3AFA-6F	889N-V3AFA-6F
		A	889N-F4AFC-6F	889N-R4AFC-6F	889N-U4AFC-6F	889N-V4AFC-6F
		B	889N-F4AFA-6F	889N-R4AFA-6F	889N-U4AFA-6F	889N-V4AFA-6F
5-pin	600V, 8 A	C	889N-F4AF-6F	889N-R4AF-6F	889N-U4AF-6F	889N-V4AF-6F
		A	889N-F5AFC-6F	889N-R5AFC-6F	889N-U5AFC-6F	889N-V5AFC-6F
		B	889N-F5AFA-6F	889N-R5AFA-6F	889N-U5AFA-6F	889N-V5AFA-6F
6-pin	600V, 8 A	C	889N-F5AF-6F	889N-R5AF-6F	889N-U5AF-6F	889N-V5AF-6F
		A	889N-F6AFC-6F	889N-R6AFC-6F	889N-U6AFC-6F	889N-V6AFC-6F
		C	889N-F6AF-6F	889N-R6AF-6F	889N-U6AF-6F	889N-V6AF-6F

(1) See [Pinout and Color Code on page 4](#).

(2) The 6F at the end of the catalog number is for 6 ft (1.8 m) cable length. Replace the 6 with 12 (12 ft [3.7 m]), or 20 (20 ft [6.1 m]) for other standard cable lengths.

Patchcords

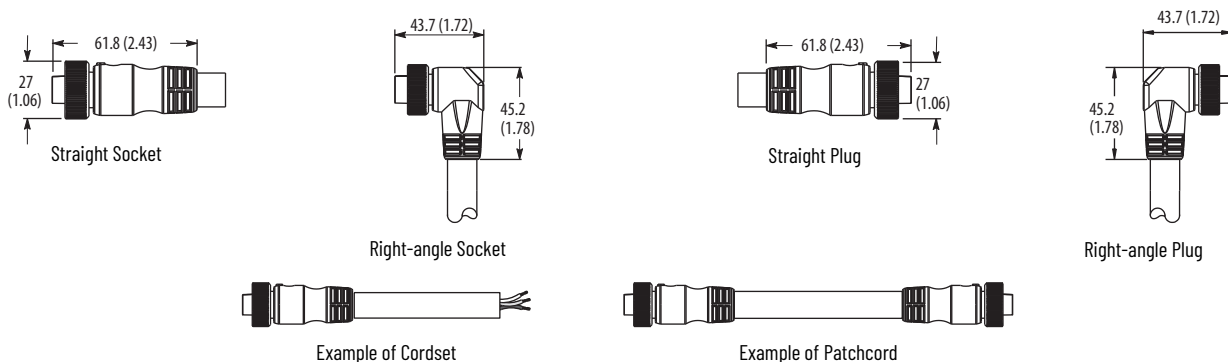
No. of Pins	Assembly Rating	Cat. No. <sup>(1)</sup>			
		Straight Socket Straight Plug	Straight Socket Right-angle Plug	Right-angle Socket Straight Plug	Right-angle Socket Right-angle Plug
2-pin	600V, 13 A	889N-F2AFNU-6F	889N-F2AFNV-6F	889N-R2AFNU-6F	889N-R2AFNV-6F
3-pin	600V, 13 A	889N-F3AFNU-6F	889N-F3AFNV-6F	889N-R3AFNU-6F	889N-R2AFNV-6F
4-pin	600V, 10 A	889N-F4AFNU-6F	889N-F4AFNV-6F	889N-R4AFNU-6F	889N-R2AFNV-6F
5-pin	600V, 8 A	889N-F5AFNU-6F	889N-F5AFNV-6F	889N-R5AFNU-6F	889N-R5AFNV-6F
6-pin	600V, 8 A	889N-F6AFNU-6F	889N-F6AFNV-6F	889N-R6AFNU-6F	889N-R6AFNV-6F

(1) The 6F at the end of the catalog number is for 6 ft (1.8 m) cable length. Replace the 6 with 12 (12 ft [3.7 m]), or 20 (20 ft [6.1 m]) for other standard cable lengths.

**IMPORTANT** Stainless-steel connectors can be ordered by adding an S to the catalog number (for example, 889NS-F3AFC-6F).

Approximate Dimensions

Dimensions are shown in mm (in.). Dimensions are not intended to be used for manufacturing purposes.



Pinout and Color Code

Color Code	Face View Pinout									
	2-pin		3-pin		4-pin		5-pin		6-pin	
A (US)	1 White 2 Black		1 Green 2 Black 3 White		1 Black 2 White	3 Red 4 Green	1 White 2 Red 3 Green	4 Orange 5 Black	1 White 2 Red 3 Green	4 Orange 5 Black 6 Blue
B (Auto)	—		1 Green 2 Red/Black Tr 3 Red/White Tr		1 Red/Black Tr 2 Red/White Tr	3 Red 4 Green	1 Red/White Tr 2 Red 3 Green 4 Red/Yellow Tr 5 Red/Black Tr		—	
C (IEC)	—		—		1 Black 2 Blue	3 Brown 4 White	1 Black 2 Blue 3 Orange	4 Brown 5 White	1 Blue 2 Orange 3 Red	4 White 5 Brown 6 Black

## Mini Style 18 AWG, PVC



4-pin Straight Mini Cordset

## Specifications

Attribute	Value
Certifications	UL Recognized and CSA Certified
Coupling nut material	Epoxy-coated zinc
Housing material	Molded oil-resistant TPE
Contact material	Gold-plated palladium/nickel
Cable type	Oil-resistant yellow PVC jacket, 18 AWG stranded copper, 300V; UL Recognized and CSA Certified
Bend radius	10x diameter
Cable diameter [mm (in.)]	<ul style="list-style-type: none"> <li>• 2/c = 6 (0.24)</li> <li>• 3/c = 6 (0.25)</li> <li>• 4/c = 7 (0.27)</li> <li>• 5/c = 8 (0.31)</li> <li>• 6/c = 8 (0.32)</li> </ul>
<b>Electrical</b>	
Cable rating	UL AWM style 2661 VW-1 105C 300V, CSA AWM A/B I/II 80C 300V FT1; UV-, oil-, and water-resistant
Assembly rating	<ul style="list-style-type: none"> <li>• 2-pin = 300V, 10 A</li> <li>• 3-pin = 300V, 10 A</li> <li>• 4-pin = 300V, 7 A</li> <li>• 5-pin = 300V, 5.6 A</li> <li>• 6-pin = 300V, 5.6 A</li> </ul>
<b>Environmental</b>	
Enclosure type rating	NEMA 4, 6P, 12, 13; IP67; 1200 psi washdown, IP69K
Temperature rating	-20...+105 °C (-4...+221 °F)

## Mating Components and Accessories

Description	Cat. No.
Coupling adapters	889A-NADPT

## Product Selection

### Cordsets

No. of Pins	Assembly Rating	Color Code <sup>(1)</sup>	Cat. No. <sup>(2)</sup>			
			Straight Socket	Right-angle Socket	Straight Plug	Right-angle Plug
2-pin	300V, 10 A	A	889N-F2AEC-6F	889N-R2AEC-6F	889N-U2AEC-6F	889N-V2AEC-6F
3-pin		A	889N-F3AEC-6F	889N-R3AEC-6F	889N-U3AEC-6F	889N-V3AEC-6F
4-pin	300V, 7 A	B	889N-F3AEA-6F	889N-R3AEA-6F	889N-U3AEA-6F	889N-V3AEA-6F
		A	889N-F4AEC-6F	889N-R4AEC-6F	889N-U4AEC-6F	889N-V4AEC-6F
		B	889N-F4AEA-6F	889N-R4AEA-6F	889N-U4AEA-6F	889N-V4AEA-6F
5-pin	300V, 5.6 A	C	889N-F4AE-6F	889N-R4AE-6F	889N-U4AE-6F	889N-V4AE-6F
		A	889N-F5AEC-6F	889N-R5AEC-6F	889N-U5AEC-6F	889N-V5AEC-6F
		B	889N-F5AEA-6F	889N-R5AEA-6F	889N-U5AEA-6F	889N-V5AEA-6F
6-pin		C	889N-F5AE-6F	889N-R5AE-6F	889N-U5AE-6F	889N-V5AE-6F
		C	889N-F6AE-6F	889N-R6AE-6F	889N-U6AE-6F	889N-V6AE-6F

(1) See [Pinout and Color Code on page 6](#).

(2) The 6F at the end of the catalog number is for 6 ft (1.8 m) cable length. Replace the 6 with 12 (12 ft [3.7 m]) or 20 (20 ft [6.1 m]) for other standard cable lengths.

Patchcords

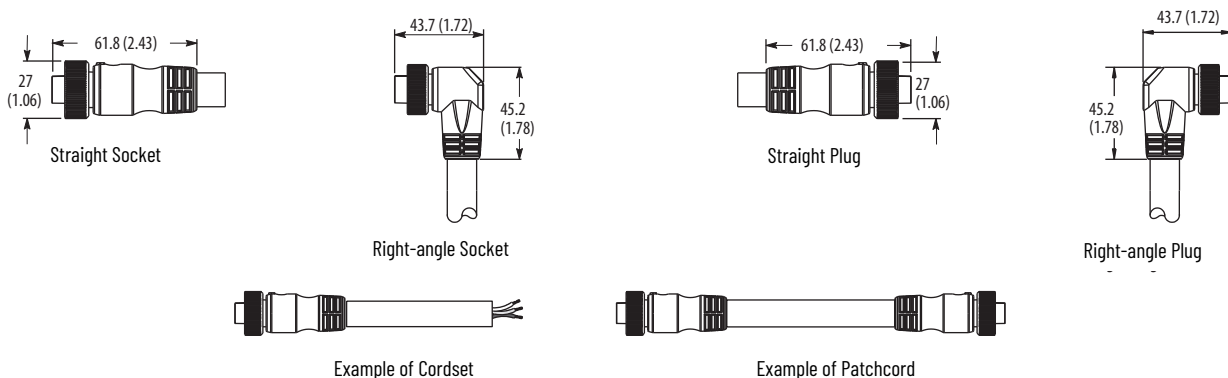
No. of Pins	Assembly Rating	Cat. No. <sup>(1)</sup>			
		Straight Socket Straight Plug	Straight Socket Right-angle Plug	Right-angle Socket Straight Plug	Right-angle Socket Right-angle Plug
2-pin	300V, 10 A	889N-F2AENU-6F	889N-F2AENV-6F	889N-R2AENU-6F	889N-R2AENV-6F
3-pin		889N-F3AENU-6F	889N-F3AENV-6F	889N-R3AENU-6F	889N-R3AENV-6F
4-pin	300V, 7 A	889N-F4AENU-6F	889N-F4AENV-6F	889N-R4AFNU-6F	889N-R4AENV-6F
5-pin	300V, 5.6 A	889N-F5AENU-6F	889N-F5AENV-6F	889N-R5AENU-6F	889N-R5AENV-6F
6-pin		889N-F6AENU-6F	889N-F6AENV-6F	889N-R6AENU-6F	889N-R6AENV-6F

(1) The 6F at the end of the catalog number is for 6 ft (1.8 m) cable length. Replace the 6 with 12 (12 ft [3.7 m]) or 20 (20 ft [6.1 m]) for other standard cable lengths.

**IMPORTANT** Stainless-steel connectors can be ordered by adding an S to the catalog number (for example, 889NS-F3AFC-6F).

Approximate Dimensions

Dimensions are shown in mm (in.). Dimensions are not intended to be used for manufacturing purposes.



Pinout and Color Code

Color Code	Face View Pinout									
	2-pin		3-pin		4-pin		5-pin		6-pin	
	Socket	Plug	Socket	Plug	Socket	Plug	Socket	Plug	Socket	Plug
A (US)	1 White 2 Black		1 Green 2 Black 3 White		1 Black 2 White	3 Red 4 Green	1 White 2 Red 3 Green	4 Orange 5 Black		
B (Auto)			1 Green 2 Red/Black Tr 3 Red/White Tr		1 Red/Black Tr 1 Red/White Tr	3 Red 4 Green	1 Red/White Tr 2 Red 3 Green 4 Red/Yellow Tr 5 Red/Black Tr			
C (IEC)					1 Black 1 Blue	3 Brown 4 White	1 Black 2 Blue 3 Gray	4 Brown 5 White	1 Blue 2 Orange 3 Red	4 White 5 Brown 6 Black

# Mini Style 16 AWG, ToughLink and ToughWeld



4-pin Straight Mini Cordset

## Specifications

Attribute	Value
Certifications	UL Recognized and CSA Certified
Coupling nut material	Epoxy-coated zinc
Housing material	Molded oil-resistant TPE
Contact material	Gold-plated palladium/nickel
Cable type	<ul style="list-style-type: none"> <li>ToughLink™: Oil-resistant yellow TPE jacket, 16 AWG stranded copper, 600V; UL Recognized and CSA Certified, SE00W</li> <li>ToughWeld™: Oil-resistant yellow CPE thermoset jacket, 16 AWG stranded copper, 600V; UL Recognized and CSA Certified, S00W</li> </ul>
Bend radius	10x diameter
Cable diameter [mm (in.)]	<ul style="list-style-type: none"> <li>3/c = 10 (0.41)</li> <li>4/c = 11 (0.44)</li> <li>5/c = 13 (0.52)</li> </ul>
<b>Electrical</b>	
Cable rating	<ul style="list-style-type: none"> <li>ToughLink: UL SE00W VW-1 105C -50C 600V water-resistant, CSA ST00 FT-1 600V;</li> <li>ToughWeld: UL S00W 105C 600V water-resistant, CSA -50C FT-1 600V</li> </ul>
Assembly rating	<ul style="list-style-type: none"> <li>3-pin: 600V, 13 A</li> <li>4-pin: 600V, 10 A</li> <li>5-pin: 600V, 8 A</li> </ul>
<b>Environmental</b>	
Enclosure type rating	NEMA 4, 6P, 12, 13; IP67; 1200 psi washdown, IP69K
Temperature rating	-50...+105 °C (-58...+221 °F)

## Mating Components and Accessories

Description	Cat. No.
Coupling adapters	889A-NADPT

## Product Selection

### Cordsets

No. of Pins	Jacket Material	Assembly Rating	Color Code <sup>(1)</sup>	Cat. No. <sup>(2)</sup>			
				Straight Socket	Right-angle Socket	Straight Plug	Right-angle Plug
3-pin	ToughLink (TPE)	600V 13 A	A	889N-F3HFC-6F	889N-R3HFC-6F	889N-U3HFC-6F	889N-V3HFC-6F
4-pin		600V 10 A		889N-F4HFC-6F	889N-R4HFC-6F	889N-U4HFC-6F	889N-V4HFC-6F
5-pin		600V 8 A		889N-F5HFC-6F	889N-R5HFC-6F	889N-U5HFC-6F	889N-V5HFC-6F
3-pin	ToughWeld (CPE)	600V 13 A		889N-F3WFC-6F	889N-R3WFC-6F	889N-U3WFC-6F	889N-V3WFC-6F
4-pin		600V 10 A		889N-F4WFC-6F	889N-R4WFC-6F	889N-U4WFC-6F	889N-V4WFC-6F
5-pin		600V 8 A		889N-F5WFC-6F	889N-R5WFC-6F	889N-U5WFC-6F	889N-V5WFC-6F

(1) See [Pinout and Color Code on page 8](#).

(2) The 6F at the end of the catalog number is for 6 ft (1.8 m) cable length. Replace the 6 with 12 (12 ft [3.7 m]) or 20 (20 ft [6.1 m]) for other standard cable lengths.

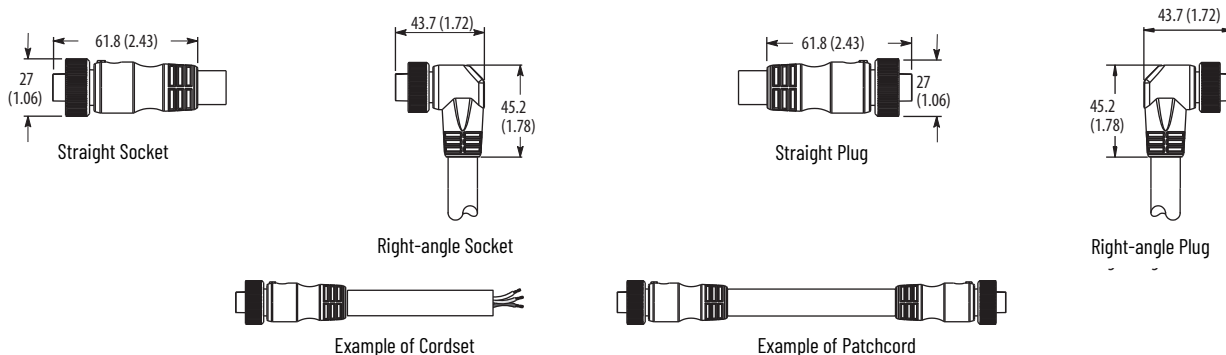
Patchcords

No. of Pins	Jacket Material	Assembly Rating	Cat. No. <sup>(1)</sup>			
			Straight Socket Straight Plug	Straight Socket Right-angle Plug	Right-angle Socket Straight Plug	Right-angle Socket Right-angle Plug
3-pin	ToughLink (TPE)	600V 13 A	889N-F3HFNU-6F	889N-F3HFNV-6F	889N-R3HFNU-6F	889N-R3HFNV-6F
4-pin		600V 10 A	889N-F4HFNU-6F	889N-F4HFNV-6F	889N-R4HFNU-6F	889N-R4HFNV-6F
5-pin		600V 8 A	889N-F5HFNU-6F	889N-F5HFNV-6F	889N-R5HFNU-6F	889N-R5HFNV-6F
3-pin	ToughWeld (CPE)	600V 13 A	889N-F3WFNU-6F	889N-F3WFNV-6F	889N-R3WFNU-6F	889N-R3WFNV-6F
4-pin		600V 10 A	889N-F4WFNU-6F	889N-F4WFNV-6F	889N-R4WFNU-6F	889N-R4WFNV-6F
5-pin		600V 8 A	889N-F5WFNU-6F	889N-F5WFNV-6F	889N-R5WFNU-6F	889N-R5WFNV-6F

(1) The 6F at the end of the catalog number is for 6 ft (1.8 m) cable length. Replace the 6 with 12 (12 ft [3.7 m]) or 20 (20 ft [6.1 m]) for other standard cable lengths.

Approximate Dimensions

Dimensions are shown in mm (in.). Dimensions are not intended to be used for manufacturing purposes.



Pinout and Color Code

Color Code	Face View Pinout					
	3-pin		4-pin		5-pin	
A (US)	1 Green 2 Black 3 White	1 Black 2 White	3 Red 4 Green	1 White 2 Red 3 Green	4 Orange 5 Black	

## Mini Style 18 AWG, TPE and ToughWeld



4-pin Straight Mini Cordset

### Specifications

Attribute	Value
Certifications	UL Recognized and CSA Certified
Coupling nut material	Epoxy-coated zinc
Housing material	Molded oil-resistant TPE
Contact material	Gold-plated palladium/nickel
Cable type	Oil-resistant yellow TPE or CPE jacket, 18 AWG stranded copper, 300V; UL Recognized and CSA Certified
Bend radius	10x diameter
Cable diameter [mm (in.)]	<ul style="list-style-type: none"> <li>TPE: 3/c = 6 (0.25), 4/c = 7 (0.27), 5/c = 8 (0.32)</li> <li>ToughWeld: 3/c = 8 (0.32), 4/c = 9 (0.36), 5/c = 10 (0.38)</li> </ul>
<b>Electrical</b>	
Cable rating	<ul style="list-style-type: none"> <li>TPE: UL AWM style 20327 VW-1 105C 300V, CSA AWM A/B I/II 105C 300V FT1; UV-, oil-, and water-resistant</li> <li>ToughWeld: UL SJ00W 105C 300V water-resistant, CSA -50C FT-1 300V</li> </ul>
Assembly rating	<ul style="list-style-type: none"> <li>3-pin: 300V, 10 A</li> <li>4-pin: 300V, 7 A</li> <li>5-pin: 300V, 5.6 A</li> </ul>
<b>Environmental</b>	
Enclosure type rating	NEMA 4, 6P, 12, 13; IP67; 1200 psi washdown, IP69K
Temperature rating	-50...+105 °C (-58...+221 °F)

### Mating Components and Accessories

Description	Cat. No.
Coupling adapters	889A-NADPT

## Product Selection

### Cordsets

No. of Pins	Jacket Material	Assembly Rating	Color Code <sup>(1)</sup>	Cat. No. <sup>(2)</sup>			
				Straight Socket	Right-angle Socket	Straight Plug	Right-angle Plug
3-pin	TPE	300V, 10 A	B	889N-F3HJA-6F	889N-R3HJA-6F	889N-U3HJA-6F	889N-V3HJA-6F
4-pin		300V, 7 A		889N-F4HJA-6F	889N-R4HJA-6F	889N-U4HJA-6F	889N-V4HJA-6F
5-pin		300V, 5.6 A		889N-F5HJA-6F	889N-R5HJA-6F	889N-U5HJA-6F	889N-V5HJA-6F
3-pin	ToughWeld (CPE)	300V, 10 A	A	889N-F3WEC-6F	889N-R3WEC-6F	889N-U3WEC-6F	889N-V3WEC-6F
4-pin		300V, 7 A		889N-F4WEC-6F	889N-R4WEC-6F	889N-U4WEC-6F	889N-V4WEC-6F
5-pin		300V, 5.6 A		889N-F5WEC-6F	889N-R5WEC-6F	889N-U5WEC-6F	889N-V5WEC-6F

(1) See [Pinout and Color Code on page 10](#).

(2) The 6F at the end of the cat. no. is for 6 ft (1.8 m) cable length. Replace the 6 with 12 (12 ft [3.7 m]), or 20 (20 ft [6.1 m]) for other standard cable lengths.

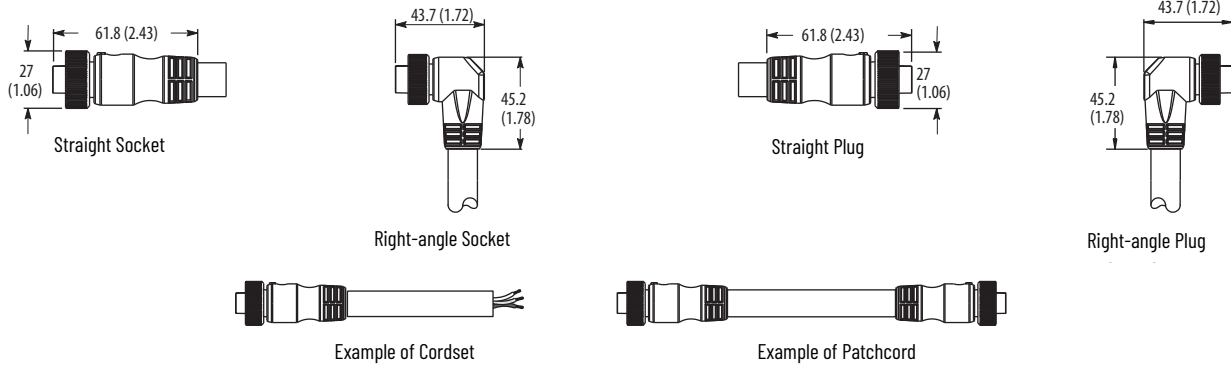
### Patchcord

No. of Pins	Jacket Material	Assembly Rating	Cat. No. <sup>(1)</sup>			
			Straight Socket Straight Plug	Straight Socket Right-angle Plug	Right-angle Socket Straight Plug	Right-angle Socket Right-angle Plug
3-pin	TPE	300V, 10 A	889N-F3HJNU-6F	889N-F3HJNV-6F	889N-R3HJNU-6F	889N-R3HJNV-6F
4-pin		300V, 7 A	889N-F4HJNU-6F	889N-F4HJNV-6F	889N-R4HJNU-6F	889N-R4HJNV-6F
5-pin		300V, 5.6 A	889N-F5HJNU-6F	889N-F5HJNV-6F	889N-R5HJNU-6F	889N-R5HJNV-6F
3-pin	ToughWeld (CPE)	300V, 10 A	889N-F3WENU-6F	889N-F3WENV-6F	889N-R3WENU-6F	889N-R3WENV-6F
4-pin		300V, 7 A	889N-F4WENU-6F	889N-F4WENV-6F	889N-R4WENU-6F	889N-R4WENV-6F
5-pin		300V, 5.6 A	889N-F5WENU-6F	889N-F5WENV-6F	889N-R5WENU-6F	889N-R5WENV-6F







(1) The 6F at the end of the cat. no. is for 6 ft (1.8 m) cable length. Replace the 6 with 12 (12 ft [3.7 m]), or 20 (20 ft [6.1 m]) for other standard cable lengths.

## Approximate Dimensions

Dimensions are shown in mm (in.). Dimensions are not intended to be used for manufacturing purposes.



## Pinout and Color Code

Color Code	Face View Pinout					
	3-pin		4-pin		5-pin	
						
A (US)	1 Green 2 Black 3 White		1 Black 2 White	3 Red 4 Green	1 White 2 Red 3 Green	4 Orange 5 Black
B (Auto)	1 Green 2 Red/Black Tr 3 Red/White Tr		1 Red/Black Tr 2 Red/White Tr	3 Red 4 Green	1 Red/White Tr 2 Red 3 Green	4 Red/Yellow Tr 5 Red/Black Tr

## Mini Style PLTC, 18 AWG, Gray PVC



4-pin Straight Mini Cordset

## Specifications

Attribute	Value
Certifications	UL Recognized and CSA Certified
<b>Mechanical</b>	
Coupling nut material	Epoxy-coated zinc
Housing material	Molded oil-resistant TPE
Contact material	Gold over nickel-plated brass
Cable type	Oil-resistant gray PVC jacket, 18 AWG conductors, 300V, UL Listed and CSA Certified
Bend radius	10x diameter
<b>Electrical</b>	
Cable rating	UL PLTC AWM Style 2661VW-1105C 300V, CSA AWM A/B 1/II 80C 300V FTI; UV-, oil-, and water-resistant
Assembly rating	<ul style="list-style-type: none"> <li>4-pin: 300V, 7 A</li> <li>5-pin: 300V, 5.6 A</li> <li>6-pin: 300V, 5.6 A</li> </ul>
<b>Environmental</b>	
Enclosure type rating	NEMA 4, 6P, 12, 13; IP67; 1200 psi washdown, IP69K
Temperature rating	-20...+105 °C (-4...+221 °F)

## Mating Components and Accessories

Description	Cat. No.
Coupling adapters	889A-NADPT

## Product Selection

### Cordsets

No. of Pins	Cable Diameter	Color Code <sup>(1)</sup>	Cat. No. <sup>(2)</sup>			
			Straight Socket	Right-angle Socket	Straight Plug w/ Internal Threads	Right-angle Plug w/ Internal Threads
2-pin	6.0 (0.235)	B	889N-F2GEC-6F	889N-R2GEC-6F	889N-U2GEC-6F	889N-V2GEC-6F
3-pin	6.6 (0.26)		889N-F3GEC-6F	889N-R3GEC-6F	889N-U3GEC-6F	889N-V3GEC-6F
4-pin	6.6 (0.26)		889N-F4GEC-6F	889N-R4GEC-6F	889N-U4GEC-6F	889N-V4GEC-6F
5-pin	7.6 (0.3)		889N-F5GEC-6F	889N-R5GEC-6F	889N-U5GEC-6F	889N-V5GEC-6F
6-pin	8.1 (0.32)		889N-F6GEC-6F	889N-R6GEC-6F	889N-U6GEC-6F	889N-V6GEC-6F

(1) See [Pinout and Color Code on page 12](#).

(2) The 6F at the end of the catalog number is for 6 ft (1.8 m) cable length. Replace the 6 with 12 (12 ft [3.7 m]), or 20 (20 ft [6.1 m]) for other standard cable lengths.

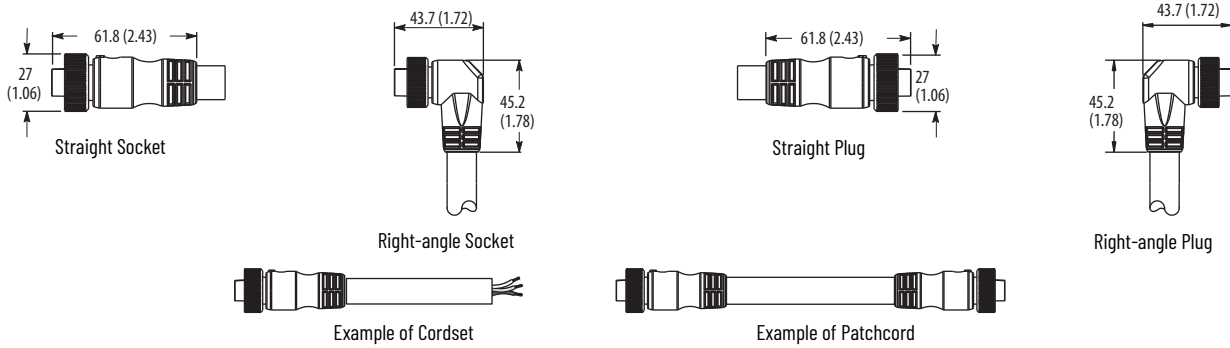
### Patchcords

No. of Pins	Cable Diameter	Cat. No. <sup>(1)</sup>			
		Straight Socket Straight Plug	Straight Socket Right-angle Plug	Right-angle Socket Straight Plug	Right-angle Socket Right-angle Plug
4-pin	6.6 (0.26)	889N-F4GENU-6F	889N-F4GENV-6F	889N-R4GENU-6F	889N-R4GENV-6F
5-pin	7.6 (0.3)	889N-F5GENU-6F	889N-F5GENV-6F	889N-R5GENU-6F	889N-R5GENV-6F
6-pin	8.1 (0.32)	889N-F6GENU-6F	889N-F6GENV-6F	889N-R6GENU-6F	889N-R6GENV-6F







(1) The 6F at the end of the catalog number is for 6 ft (1.8 m) cable length. Replace the 6 with 12 (12 ft [3.7 m]), or 20 (20 ft [6.1 m]) for other standard cable lengths.

## Approximate Dimensions

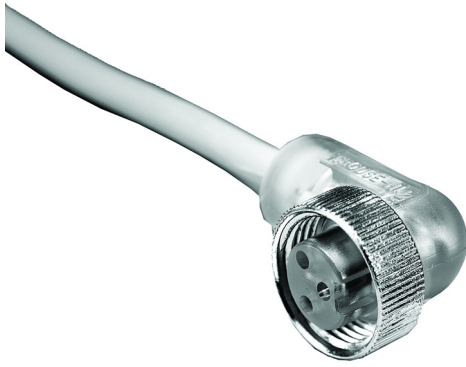
Dimensions are shown in mm (in.). Dimensions are not intended to be used for manufacturing purposes.



## Pinout and Color Code

Color Code	Face View Pinout					
	4-pin		5-pin		6-pin	
						
A (IEC)	1 Black 2 Blue	3 Brown 4 White	1 Black 2 Blue 3 Gray	4 Brown 5 White	1 White 2 Red 3 Green	4 Orange 5 Black 6 Blue
B (US)	1 Black 2 White	3 Red 4 Green	1 White 2 Red 3 Green	4 Orange 5 Black	1 White 2 Red 3 Green	4 Orange 5 Black 6 Blue

## Mini Style Light-emitting Diode (LED) or Coil Cables, PVC



3-pin Illuminated Mini Cordset

### Specifications

Attribute	Value
Certifications	UL Recognized and CSA Certified
<b>Mechanical</b>	
Coupling nut material	Epoxy-coated zinc
Housing material	Molded oil-resistant PUR
Contact material	Gold-plated palladium/nickel
Cable type	Oil-resistant yellow PVC jacket, 18 AWG stranded copper, illuminated, 300V; UL Recognized and CSA Certified
Bend radius	10x diameter
Cable diameter [mm (in.)]	<ul style="list-style-type: none"> <li>3/c = 7.4 (0.29)</li> <li>4/c = 7.1 (0.28)</li> </ul>
<b>Electrical</b>	
Cable rating	<ul style="list-style-type: none"> <li>Light-emitting diode (LED) models: UL AWM style 2661 VW-1 105C 300V, CSA AWM A/B I/II 80C 300V FT1; UV-, oil-, and water-resistant</li> <li>Coiled cable: 300V, UL style 20197, CSA AWM 1/11 A/B</li> </ul>
Assembly rating	<ul style="list-style-type: none"> <li>3-pin: 120V, 3 A for 18 AWG, 6 A for 16 AWG</li> <li>4-pin: 120V, 3 A for 18 AWG, 6 A for 16 AWG</li> </ul>
<b>Environmental</b>	
Enclosure type rating	NEMA 4, 6P, 12, 13; IP67; 1200 psi washdown, IP69K
Temperature rating	-20...+105 °C (-4...+221 °F)

## Product Selection

### Cordsets

No. of Pins	Jacket Material	Wire Rating	Cat. No. <sup>(1)</sup>	
			Straight Socket	Right-angle Socket
3-pin	Yellow PVC	16 AWG	889N-K3AFA-6F	889N-L3AFA-6F
3-pin	Yellow PVC	18 AWG	889N-K3AEA-6F	889N-L3AEA-6F

(1) The 6F at the end of the catalog number is for 6 ft (1.8 m) cable length. Replace the 6 with 12 (12 ft [3.7 m]), or 20 (20 ft [6.1 m]) for other standard cable lengths.

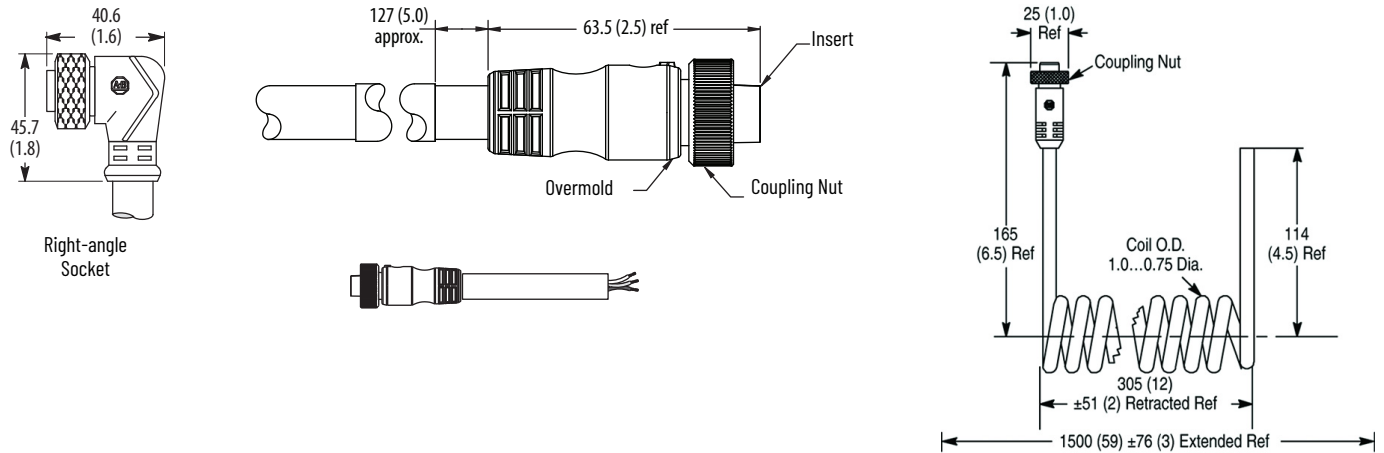
### Patchcords

No. of Pins		Jacket Material	Wire Rating	Cat. No. <sup>(1)</sup>			
Socket	Plug			Straight Socket Straight Plug	Straight Socket Right-angle Plug	Right-angle Socket Straight Plug	Right-angle Socket Right-angle Plug
3-pin	4-pin	Yellow PVC	16 AWG	889N-K3AFN4U-6F	889N-K3AFN4V-6F	889N-L3AFN4U-6F	889N-L3AFN4V-6F
3-pin	4-pin	Yellow PVC	18 AWG	889N-K3AEN4U-6F	889N-K3AEN4V-6F	889N-L3AEN4U-6F	889N-L3AEN4V-6F

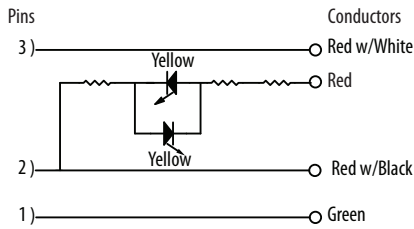
(1) The 6F at the end of the catalog number is for 6 ft (1.8 m) cable length. Replace the 6 with 12 (12 ft [3.7 m]), or 20 (20 ft [6.1 m]) for other standard cable lengths.

## Approximate Dimensions

Dimensions are shown in mm (in.). Dimensions are not intended to be used for manufacturing purposes.



## Typical Wiring Diagrams



## Pinout and Color Code

Color Code	Face View Pinout	
	3-pin	4-pin
	<p>Socket</p>	<p>Socket</p>
A	1 Green 2 Red/Black Tr 3 Red/White Tr	1 Red/Black Tr      3 Red 2 Red/White Tr     4 Green

## Mini Style T-ports, Tap-style Wiring



Tap-style Wiring

### Specifications

Attribute	Value
Certifications	UL Recognized and CSA Certified
<b>Mechanical</b>	
Coupling nut material	Black epoxy-coated zinc
Housing material	TPE
Contact material	Gold-plated palladium/nickel
<b>Electrical</b>	
Assembly rating	300V, 8 A
<b>Environmental</b>	
Enclosure type rating	IP67, NEMA 6P, 1200 psi (8270 kPa) washdown
Operating temperature	-25...+70 °C (-13...+158 °F)

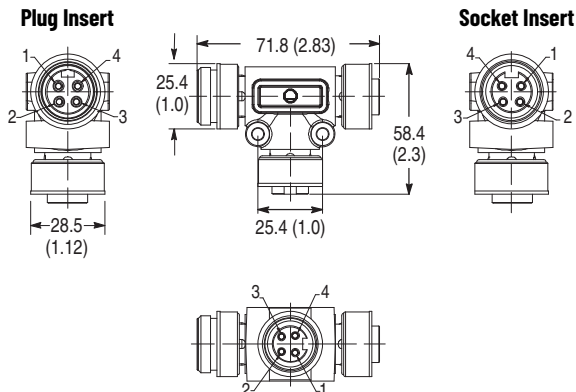
### Product Selection

No. of Pins	Wiring Diagram	Assembly Rating	Cat. No.
3-pin		300V 8 A	898N-33PB-N4KF
4-pin			898N-43PB-N4KF
5-pin			1485P-P1N5-MN5KF

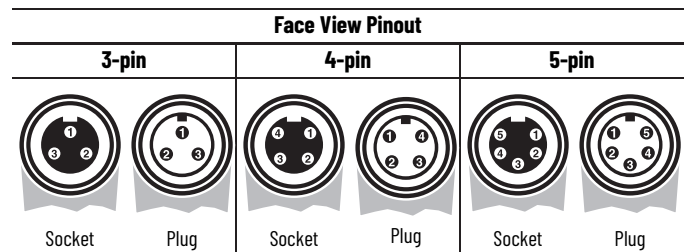
**IMPORTANT** Stainless-steel connectors can be ordered by adding an S to the catalog number (for example, 889NS-42PB-N4KF).

### Approximate Dimensions

Dimensions are shown in mm (in.). Dimensions are not intended to be used for manufacturing purposes.



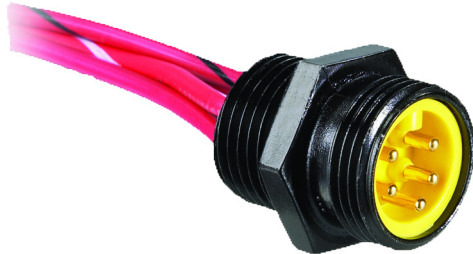
### Pinout and Color Code



## Mini Style Receptacles, 16 AWG and 18 AWG, 1/2 in. NPT Mount



2-pin Mini Socket Receptacle



5-pin Mini Plug Receptacle

### Specifications

Attribute	Value
Certifications	UL Recognized and CSA Certified
<b>Mechanical</b>	
Coupling nut material	Black epoxy-coated zinc
Contact material	Gold-plated palladium/nickel
Insert material	PVC
Conductors	16 AWG and 18 AWG, PVC insulation
<b>Electrical</b>	
Assembly rating	• 2-pin
	- 16 AWG: 600V, 13 A
	- 18 AWG: 300V, 8 A
	• 3-pin
	- 16 AWG: 600V, 13 A
	- 18 AWG: 300V, 8 A
	• 4-pin
	- 16 AWG: 600V, 10 A
	- 18 AWG: 300V, 8 A
	• 5-pin
	- 16 AWG: 600V, 8 A
	- 18 AWG: 300V, 8 A
• 6-pin	
- 16 AWG: 600V, 8 A	
- 18 AWG: 300V, 8 A	
<b>Environmental</b>	
Enclosure type rating	NEMA 6P; IP67; 1200 psi washdown
Operating temperature	-20...+105 °C (-4...+221 °F)

### Mating Components and Accessories

Description	Cat. No. <sup>(1)</sup>
1/2 inch-14 NPT mounting nut	889A-U1NUT-10
1/2 inch-14 NPT flat sealing washer	889A-U1FSL-10

(1) Sold in bags of 10.

## Product Selection

### 16 AWG Receptacles

No. of Pins	Assembly Rating	Color Code <sup>(1)</sup>	Thread Size	Cat. No. <sup>(2)</sup>			
				Straight Socket External Threads	Right-angle Socket External Threads	Straight Plug External Threads	Right-angle Plug External Threads
2-pin	600V AC/DC, 13 A	A	1/2 inch-14 NPT	888N-F2AF1-1F	888N-R2AF1-1F	888N-M2AF1-1F	888N-E2AF1-1F
3-pin		A		888N-F3AF1-1F	888N-R3AF1-1F	888N-M3AF1-1F	888N-E3AF1-1F
		B		888N-F3AFA1-1F	888N-R3AFA1-1F	888N-M3AFA1-1F	888N-E3AFA1-1F
4-pin	600V AC/DC, 10 A	A		888N-F4AF1-1F	888N-R4AF1-1F	888N-M4AF1-1F	888N-E4AF1-1F
		B		888N-F4AFA1-1F	888N-R4AFA1-1F	888N-M4AFA1-1F	888N-E4AFA1-1F
		C		888N-F4AFE1-1F	888N-R4AFE1-1F	888N-M4AFE1-1F	888N-E4AFE1-1F
5-pin	600V AC/DC, 8 A	A		888N-F5AF1-1F	888N-R5AF1-1F	888N-M5AF1-1F	888N-E5AF1-1F
		B		888N-F5AFA1-1F	888N-R5AFA1-1F	888N-M5AFA1-1F	888N-E5AFA1-1F
		C		888N-F5AFE1-1F	888N-R5AFE1-1F	888N-M5AFE1-1F	888N-E5AFE1-1F
A		888N-F6AF1-1F		888N-R6AF1-1F	888N-M6AF1-1F	888N-E6AF1-1F	

(1) See [Pinout and Color Code on page 18](#).

(2) The 1F at the end of the catalog number is for 1 ft (0.3 m) cable length. Replace the 1 with 3 (3 ft [0.9 m]) for other standard cable lengths.

### 18 AWG Receptacles

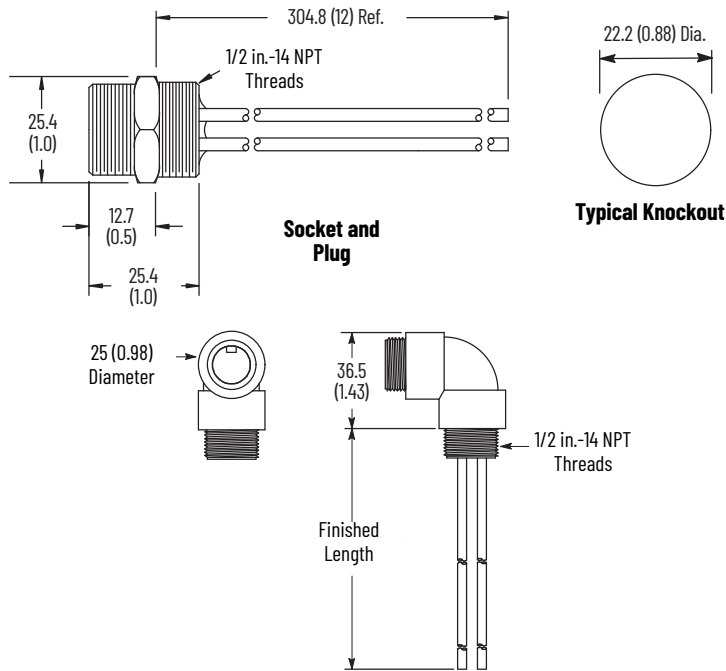
No. of Pins	Assembly Rating	Color Code <sup>(1)</sup>	Thread Size	Cat. No. <sup>(2)</sup>			
				Straight Socket External Threads	Right-angle Socket External Threads	Straight Plug External Threads	Right-angle Plug External Threads
2-pin	300V, 10 A	A	1/2 inch-14 NPT	888N-F2AE1-1F	888N-R2AE1-1F	888N-M2AE1-1F	888N-E2AE1-1F
3-pin		A		888N-F3AE1-1F	888N-R3AE1-1F	888N-M3AE1-1F	888N-E3AE1-1F
		B		888N-F3AE1-1F	888N-R3AE1-1F	888N-M3AE1-1F	888N-E3AE1-1F
4-pin	300V, 7 A	A		888N-F4AE1-1F	888N-R4AE1-1F	888N-M4AE1-1F	888N-E4AE1-1F
		B		888N-F4AE1-1F	888N-R4AE1-1F	888N-M4AE1-1F	888N-E4AE1-1F
		C		888N-F4AE1-1F	888N-R4AE1-1F	888N-M4AE1-1F	888N-E4AE1-1F
5-pin	300V, 5.6 A	A		888N-F5AE1-1F	888N-R5AE1-1F	888N-M5AE1-1F	888N-E5AE1-1F
		B		888N-F5AE1-1F	888N-R5AE1-1F	888N-M5AE1-1F	888N-E5AE1-1F
		C		888N-F5AE1-1F	888N-R5AE1-1F	888N-M5AE1-1F	888N-E5AE1-1F
6-pin		A		888N-F6AE1-1F	888N-R6AE1-1F	888N-M6AE1-1F	888N-E6AE1-1F

(1) See [Pinout and Color Code on page 18](#).

(2) The 1F at the end of the catalog number is for 1 ft (0.3 m) cable length. Replace the 1 with 3 (3 ft [0.9 m]) for other standard cable lengths.

### Approximate Dimensions

Dimensions are shown in mm (in.). Dimensions are not intended to be used for manufacturing purposes.



## Pinout and Color Code

Color Code	Face View Pinout									
	2-pin		3-pin		4-pin		5-pin		6-pin	
	Socket	Plug	Socket	Plug	Socket	Plug	Socket	Plug	Socket	Plug
A (US)	1 White 2 Black		1 Green 2 Black 3 White		1 Black 2 White	3 Red 4 Green	1 White 2 Red 3 Green	4 Orange 5 Black	1 White 2 Red 3 Green	4 Orange 5 Black 6 Blue
B (Auto)	–		1 Green 2 Red/Black Tr 3 Red/White Tr		1 Red/Black Tr 2 Red/White Tr	3 Red 4 Green	1 Red/White Tr 2 Red 3 Green 4 Red/Yellow Tr 5 Red/Black Tr		–	
C (IEC)	–		–		1 Black 2 Blue	3 Brown 4 White	1 Black 2 Blue 3 Gray	4 Brown 5 White	–	

## Mini Style Terminal Chambers, Screw Type, Field Attachable Connector



4-pin Mini Socket Receptacle

### Specifications

Attribute	Value
<b>Mechanical</b>	
Coupling nut material	Black anodized aluminum
Connector shell material	PBT
Contact material	Gold-plated brass
Wire size, max	16 AWG (1.5 mm <sup>2</sup> )
<b>Environmental</b>	
Enclosure type rating	IP67
Operating temperature	-40...+85 °C (-40...+185 °F)

### Product Selection

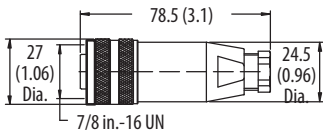
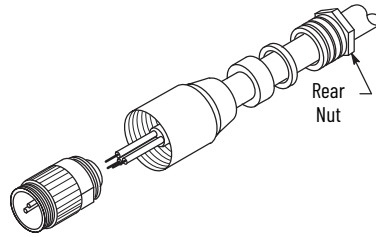
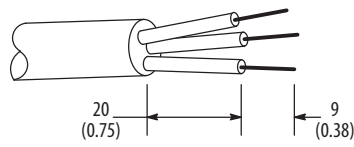
No. of Pins	Cable Diameter [mm (in.)]	Assembly Rating	Thread Size	Cat. No.		
				Straight Socket Internal Threads	Straight Plug Internal Threads	Straight Plug External Threads
3-pin	6.0...8.0 (0.23...0.31)	300V, 12 A	PG9	871A-TS3-N2 <sup>(1)</sup>	871A-TS3-NU2 <sup>(1)</sup>	871A-TS3-NM2 <sup>(1)</sup>
	10.0...12.0 (0.39...0.47)		PG13.5	871A-TS3-N1	871A-TS3-NU1	871A-TS3-NM1
4-pin	6.0...8.0 (0.23...0.31)	300V, 9 A	PG9	871A-TS4-N1 <sup>(1)</sup>	871A-TS4-NU1 <sup>(1)</sup>	871A-TS4-NM1 <sup>(1)</sup>
	10.0...12.0 (0.39...0.47)		PG13.5	871A-TS4-N2	871A-TS4-NU2	871A-TS4-NM2
	12.0...14.0 (0.47...0.55)		PG16	871A-TS4-N3	871A-TS4-NU3	871A-TS4-NM3
5-pin	6.0...8.0 (0.24...0.32)	300V, 9 A	PG9	871A-TS5-N1 <sup>(1)</sup>	871A-TS5-NU1 <sup>(1)</sup>	871A-TS5-NM1 <sup>(1)</sup>
	10.0...12.0 (0.39...0.47)		PG13.5	871A-TS5-N2	871A-TS5-NU2	871A-TS5-NM2
	12.0...14.0 (0.47...0.55)		PG16	871A-TS5-N3	871A-TS5-NU3	871A-TS5-NM3

(1) Available in right-angle. Replace the S in the catalog number with an R (for example, 871A-TR3-N2).

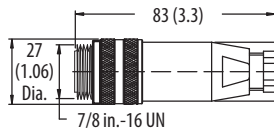
**IMPORTANT** Stainless-steel connectors can be ordered by adding an S to the catalog number (for example, 871AS-TS3-N2).

## Approximate Dimensions

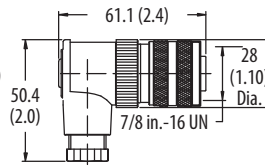
Dimensions are shown in mm (in.). Dimensions are not intended to be used for manufacturing purposes.



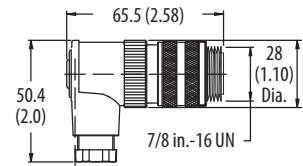
Straight  
Internal Thread



Straight  
External Thread



Right-angle  
Internal Thread



Right-angle  
External Thread

## Face View Pinout

3-pin		4-pin		5-pin	
Socket	Plug	Socket	Plug	Socket	Plug

# Mini Style Bulkhead Pass-through



Bulkhead Pass-through, Mini Style

## Specifications

Attribute	Value
Certifications	UL Recognized and CSA Certified
<b>Mechanical</b>	
Material	Nickel-plated brass/gold
Locknut	Nickel-plated brass
Contact material	Gold-plated palladium/nickel
Gasket material	Neoprene
Thrust washer	Nylon
Connector insert material	PVC
<b>Environmental</b>	
Enclosure type rating	NEMA 4, 6P, 12, 13; IP67; 1200 psi washdown
Operating temperature	-40...+105 °C (-40...+221 °F)

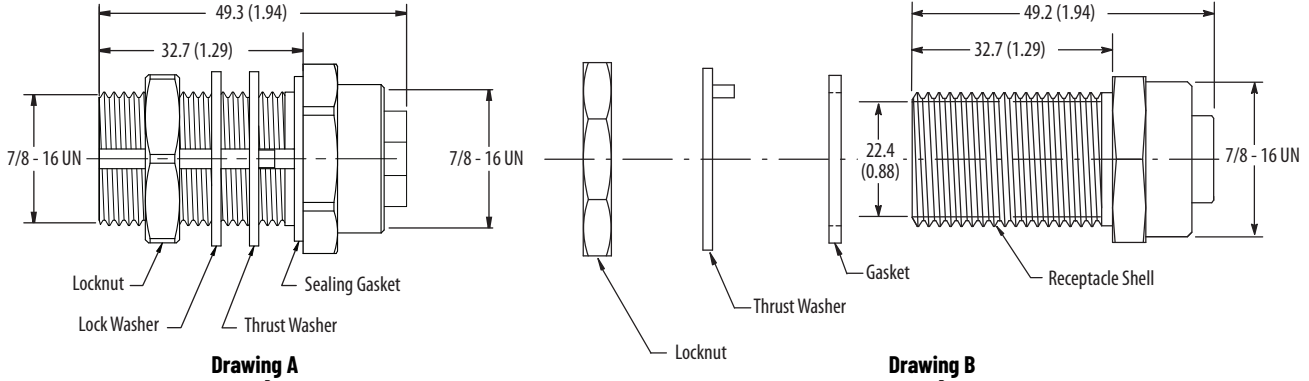
## Product Selection

No. of Pins	Drawing <sup>(1)</sup>	Assembly Rating	Cat. No.
3-pin	B	600V 13 A	889A-CXN3-M3
4-pin	B	600V, 8 A	889A-CXN4-M4
5-pin	A	600V, 8 A	1485A-CXN5-M5
6-pin	B	600V 8 A	889A-CXN6-M6

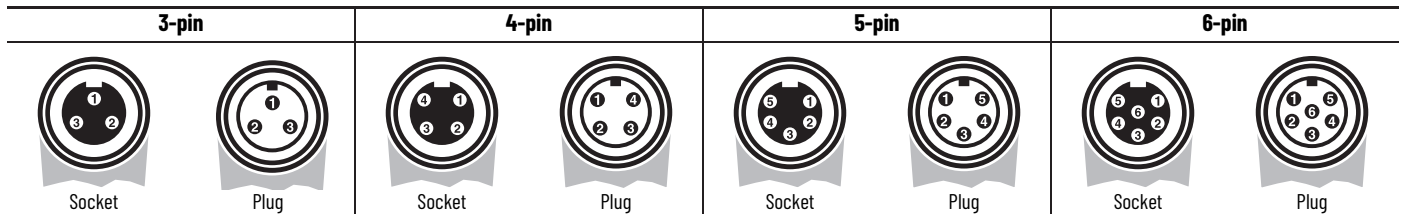
(1) See [Approximate Dimensions](#).

## Approximate Dimensions

Dimensions are shown in mm (in.). Dimensions are not intended to be used for manufacturing purposes.



## Face View Pinout



## Mini-plus Style

### Mini-plus Style 16 AWG, ST00W-A, 7 and 8-pin



8-pin Mini-plus Cordset



8-pin Mini-plus Straight to Straight Patchcord

### Specifications

Attribute	Value
Certifications	UL Recognized and CSA Certified
<b>Mechanical</b>	
Coupling nut material	Brass nickel, 16 AWG Epoxy-coated zinc, 18 AWG
Housing material	TPU yellow
Contact material	Gold-plated machined brass
Cable type	Oil-resistant yellow PVC jacket, 16 AWG or 18 AWG stranded copper, 600V or 300V; UL Recognized and CSA Certified, ST00W
Bend radius	10x diameter
Cable diameter [mm (in.)]	<ul style="list-style-type: none"> <li>7/c = 14 (0.55)</li> <li>8/c = 15 (0.59)</li> </ul>
<b>Electrical</b>	
Cable rating	<ul style="list-style-type: none"> <li>16 AWG: UL ST00W 90C 600V, CSA ST 105C FT2</li> <li>18 AWG: UL AWM style 2517 or 2661 105C 300V, CSA AWM A/B I/ II 105C 300V FT1</li> </ul>
Assembly rating	<ul style="list-style-type: none"> <li>16 AWG: 600V, 7 A</li> <li>18 AWG: 300V, 3 A</li> </ul>
<b>Environmental</b>	
Enclosure type rating	NEMA 1, 3, 4, 6P, 12, 13; IP68; 1200 psi washdown
Temperature rating	-40...+105 °C (-40...+221 °F)

### Mating Components and Accessories

Description	Cat. No.
Coupling adapter	889A-N2ADPT

## Product Selection

### Cordsets

No. of Pins	Assembly Rating	Color Code <sup>(1)</sup>	Cat. No. <sup>(2)</sup>	
			Straight Socket	Straight Plug
7-pin	16 AWG, 600V, 7 A	A	889N-F7AF-2	889N-U7AF-2
	(5) 18 AWG/(2) 20 AWG, 300V, 3 A	B	889N-F7AG-2	—
8-pin	16 AWG, 600V, 7 A	A	889N-F8AF-2	889N-U8AF-2
	18 AWG, 300V, 3 A	B	889N-F8AE-2	—

(1) See [Pinout and Color Code on page 23](#).

(2) The 2 at the end of the catalog number is for 2 m (6.6 ft) cable length. Replace the 2 with 5 (5 m [16.4 ft]), or 10 (10 m [32.8 ft]) for standard cable lengths.

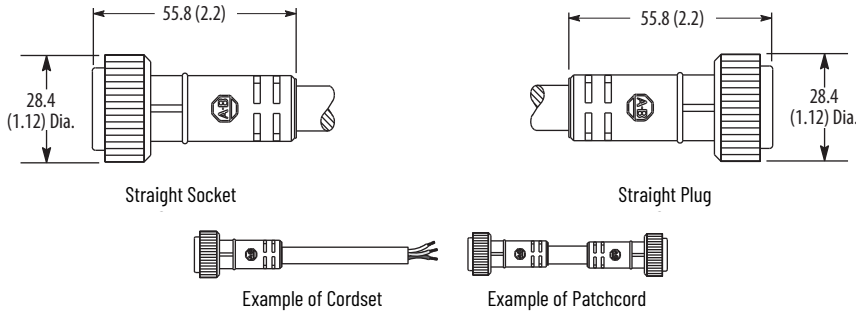
### Patchcords

No. of Pins	Assembly Rating	Cat. No. <sup>(1)</sup>
		Straight Socket Straight Plug
7-pin	16 AWG, 600V, 7 A	889N-F7AFNU-2
8-pin	16 AWG 600V 7 A	889N-F8AFNU-2





(1) The 2 at the end of the cat. no. is for 2 m (6.6 ft) cable length. Replace the 2 with 1 (1 m [3.3 ft]), 3 (3 m [9.8 ft]), 5 (5 m [16.4 ft]), or 10 (10 m [32.8 ft]) for standard cable lengths.

## Approximate Dimensions

Dimensions are shown in mm (in.). Dimensions are not intended to be used for manufacturing purposes.



## Pinout and Color Code

Color Code	Face View Pinout			
	7-pin		8-pin	
	Socket	Plug	Socket	Plug
A	 1 White/Black Tr 2 Black 3 White 4 Red	 5 Orange 6 Blue 7 Green	 1 Orange 2 Blue 3 White/Black Tr 4 Black	 5 White 6 Red 7 Green 8 Red/Black Tr
B	1 Black 2 White 3 Blue 4 Brown	5 Gray <sup>(1)</sup> 6 Yellow <sup>(1)</sup> 7 Green	1 Red 2 White 3 Blue 4 Brown	5 White 6 Red 7 Green 8 Red/Black Tr

(1) 20 AWG conductors

## Mini-plus Style 16 AWG, ST00W-A 9, 10, and 12-pin



10-pin Mini-plus Cordset

### Specifications

Attribute	Value
Certifications	UL Recognized and CSA Certified
<b>Mechanical</b>	
Coupling nut material	<ul style="list-style-type: none"> <li>Brass nickel: 16 AWG</li> <li>Epoxy-coated zinc: 18 AWG</li> </ul>
Housing material	TPU yellow
Contact material	Gold-plated machined brass
Cable type	Oil-resistant yellow PVC jacket, 16 AWG or 18 AWG stranded copper, 600V or 300V; UL Recognized and CSA Certified, ST00W
Bend radius	10x diameter
Cable diameter [mm (in.)]	<ul style="list-style-type: none"> <li>16 AWG 9/c = 17 (0.67)</li> <li>16 AWG 10/c = 17 (0.67)</li> <li>16 AWG 12/c = 18 (0.71)</li> <li>18/22 AWG 12/c = 9 (0.36)</li> </ul>
<b>Electrical</b>	
Cable rating	<ul style="list-style-type: none"> <li>16 AWG: UL ST00W 90C 600V, CSA ST 105C FT2</li> <li>18 AWG: UL AWM style 2517 or 2661 105C 300V, CSA AWM A/B I/ II 105C 300V FT1</li> </ul>
Assembly rating	<ul style="list-style-type: none"> <li>16 AWG: 600V, 7 A</li> <li>18 AWG: 300V, 3 A</li> </ul>
<b>Environmental</b>	
Enclosure type rating	NEMA 1, 3, 4, 6P, 12, 13; IP68; 1200 psi washdown
Temperature rating	-40...+105 °C (-40...+221 °F)

### Mating Components and Accessories

Description	Cat. No.
Coupling adapter	889A-N3ADPT

## Product Selection

### Cordsets

No. of Pins	Assembly Rating	Color Code <sup>(1)</sup>	Cat. No. <sup>(2)</sup>	
			Straight Socket	Straight Plug
9-pin	16 AWG, 600V, 7 A	A	889N-F9AF-2	889N-U9AF-2
10-pin			889N-F10AF-2	889N-U10AF-2
12-pin			889N-F12AF-2	889N-U12AF-2
	(3) 18 AWG/(9) 22 AWG, 300V, 3 A	B	889N-F12AC-2	—

(1) See [Pinout and Color Code on page 25](#).

(2) The 2 at the end of the catalog number is for 2 m (6.6 ft) cable length. Replace the 2 with 5 (5 m [16.4 ft]), or 10 (10 m [32.8 ft]) for standard cable lengths.

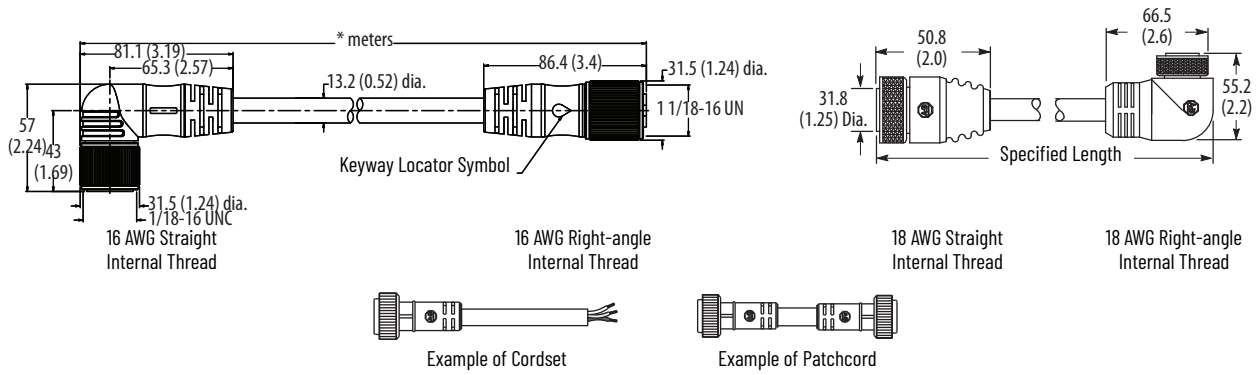
### Patchcords

No. of Pins	Assembly Rating	Cat. No. <sup>(1)</sup>	
		Straight Socket Straight Plug	Straight Socket Right-angle Plug
9-pin	16 AWG, 600V, 7 A	889N-F9AFNU-2	—
10-pin	16 AWG, 600V, 7 A	889N-F10AFNU-2	889N-F10AFNV-2
	(3) 18 AWG/(9) 22 AWG, 300V, 3 A	889N-F10ACNU-2	889N-F10ACNV-2
12-pin	16 AWG, 600V, 7 A	889N-F12AFNU-2	889N-F12AFNV-2
	(3) 18 AWG/(9) 22 AWG, 300V, 3 A	889N-F12ACNU-2	889N-F12ACNV-2
Thread adapter to couple standard internally threaded ends.		889A-N3ADPT	889A-N3ADPT

(1) The 2 at the end of the catalog number is for 2 m (6.6 ft) cable length. Replace the 2 with 1 (1 m [3.3 ft]), 3 (3 m [9.8 ft]), 5 (5 m [16.4 ft]), or 10 (10 m [32.8 ft]) for standard cable lengths.

## Approximate Dimensions

Dimensions are shown in mm (in.). Dimensions are not intended to be used for manufacturing purposes.



## Pinout and Color Code

Color Code	Face View Pinout					
	9-pin		10-pin		12-pin	
	Socket	Plug	Socket	Plug	Socket	Plug
A	1 Orange 2 Blue 3 Red/Black Tr 4 Green/Black Tr 5 White	6 Red 7 Green 8 White/Black Tr 9 Black	1 Orange 2 Blue 3 White/Black Tr 4 Red/Black Tr 5 Green/Black Tr	6 Orange/Black Tr 7 Red 8 Green 9 Black 10 White	1 Orange 2 Blue 3 White/Black Tr 4 Red/Black Tr 5 Green/Black Tr 6 Orange/Black Tr	7 Blue/Black Tr 8 Black/White Tr 9 Green 10 Red 11 White 12 Black
B	-		-		1 White 2 Green 3 Yellow 4 Gray 5 Rose 6 Red	7 Black 8 Violet 9 Green/Yellow <sup>(1)</sup> 10 Orange 11 Blue <sup>(1)</sup> 12 Brown <sup>(1)</sup>

(1) 18 AWG conductors

## Mini-plus Style 16 AWG, PVC, 7-pin and 8-pin



7-pin Mini-plus Socket Receptacle

### Specifications

Attribute	Value
Certifications	UL Recognized and CSA Certified
<b>Mechanical</b>	
Receptacle shell material	Machined anodized aluminum with clear sealant
Connector insert material	TPU/Yellow
Contact material	Gold-plated machined brass
Insulation material	Oil-resistant yellow PVC jacket, 16 AWG stranded copper, 600V; UL Recognized and CSA Certified, ST00W
<b>Electrical</b>	
Assembly rating	<ul style="list-style-type: none"> <li>16 AWG: 600V AC/DC, 8 A</li> <li>18 AWG: 300V AC/DC, 4.9 A</li> </ul>
<b>Environmental</b>	
Enclosure type rating	NEMA 1, 3, 4, 6P; IP68; 1200 psi washdown
Operating temperature	-30...+80 °C (-22...+176 °F)

### Product Selection

#### 16 AWG Receptacles

No. of Pins	Assembly Rating	Color Code <sup>(1)</sup>	Thread Size	Cat. No. <sup>(2)</sup>	
				Straight Socket External Threads	Straight Plug External Threads
7-pin	600V AC/DC, 7 A	A	1/2 in. 14 NPT	888N-F7AF1-1F	888N-M7AF1-1F
8-pin				888N-F8AF1-1F	888N-M8AF1-1F

(1) See [Pinout and Color Code on page 27](#).

(2) The 1F at the end of the catalog number is for 1 ft (0.3 m) cable length. Replace the 1 with 3 (3 ft [0.9 m]) for other standard cable lengths.

#### 18 AWG Receptacles

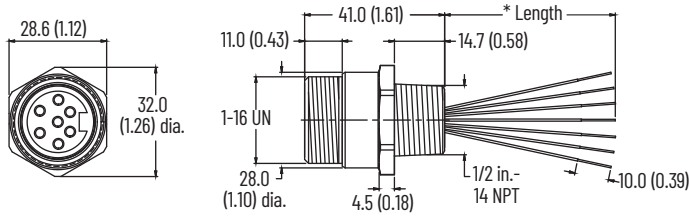
No. of Pins	Assembly Rating	Color Code <sup>(1)</sup>	Thread Size	Cat. No. <sup>(2)</sup>	
				Straight Socket External Threads	Straight Plug External Threads
7-pin	300V AC/DC, 4.9 A	A	1/2 in. 14 NPT	888N-F7AE1-1F	888N-M7AE1-1F
8-pin				888N-F8AE1-1F	888N-M8AE1-1F

(1) See [Pinout and Color Code on page 27](#).

(2) The 1F at the end of the catalog number is for 1 ft (0.3 m) cable length. Replace the 1 with 3 (3 ft [0.9 m]) for other standard cable lengths.

## Approximate Dimensions

Dimensions are shown in mm (in.). Dimensions are not intended to be used for manufacturing purposes.



## Pinout and Color Code

Color Code	Face View Pinout			
	7-pin		8-pin	
	Socket	Plug	Socket	Plug
A	1 White/Black Tr 2 Black 3 White 4 Red	5 Orange 6 Blue 7 Green	1 Orange 2 Blue 3 White/Black Tr 4 Black	5 White 6 Red 7 Green 8 Red/Black Tr
B	1 Black 2 White 3 Blue 4 Brown	5 Gray <sup>(1)</sup> 6 Yellow <sup>(1)</sup> 7 Green	1 Red 2 White 3 Blue 4 Brown	5 White 6 Red 7 Green 8 Red/Black Tr

(1) 20 AWG conductors

## Mini-plus Style 16 AWG, PVC, 9, 10, and 12-pin



12-pin Mini-plus Plug Receptacle

### Specifications

Attribute	Value
Certifications	UL Recognized and CSA Certified
<b>Mechanical</b>	
Receptacle shell material	12-pin brass/nickel
Connector insert material	TPU/Yellow
Contact material	Gold-plated machined brass
Insulation Material	Oil-resistant yellow PVC jacket, 16 AWG stranded copper, 600V; UL Recognized and CSA Certified
<b>Environmental</b>	
Enclosure type rating	NEMA 1, 3, 4, 6P; IP68; 1200 psi washdown
Operating temperature	-30...+80 °C (-22...+176 °F)

### Product Selection

#### 16 AWG Receptacles

No. of Pins	Assembly Rating	Color Code <sup>(1)</sup>	Cat. No. <sup>(2)</sup>	
			Straight Socket	Straight Plug
9-pin	600V, 7 A	A	888N-F9AF1-1F	888N-M9AF1-1F
10-pin			888N-F10AF1-1F	888N-M10AF1-1F
12-pin			888N-F12AF1-1F	888N-M12AF1-1F

(1) See [Pinout and Color Code on page 29](#).

(2) The 2 at the end of the cat. no. is for 2 m (6.6 ft) cable length. Replace the 2 with 5 (5 m [16.4 ft]), or 10 (10 m [32.8 ft]) for standard cable lengths.

#### 18 AWG Receptacles

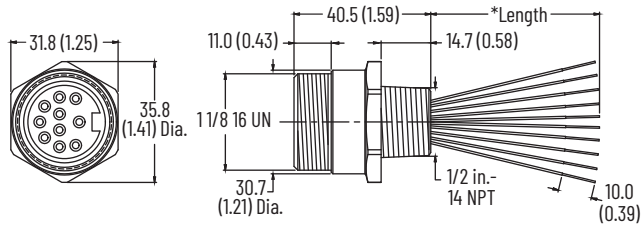
No. of Pins	Assembly Rating	Color Code <sup>(1)</sup>	Cat. No. <sup>(2)</sup>	
			Straight Socket	Straight Plug
9-pin	300V, 4.9 A	A	888N-F9AE1-1F	888N-M9AE1-1F
10-pin			888N-F10AE1-1F	888N-M10AE1-1F
12-pin	300V, 3.5 A		888N-F12AE1-1F	888N-M12AE1-1F

(1) See [Pinout and Color Code on page 29](#).

(2) The 2 at the end of the cat. no. is for 2 m (6.6 ft) cable length. Replace the 2 with 5 (5 m [16.4 ft]), or 10 (10 m [32.8 ft]) for standard cable lengths.

## Approximate Dimensions

Dimensions are shown in mm (in.). Dimensions are not intended to be used for manufacturing purposes.



## Pinout and Color Code

Color Code	Face View Pinout					
	9-pin		10-pin		12-pin	
	Socket	Plug	Socket	Plug	Socket	Plug
A	1 Orange 2 Blue 3 Red/Black Tr 4 Green/Black Tr 5 White	6 Red 7 Green 8 White/Black Tr 9 Black	1 Orange 2 Blue 3 White/Black Tr 4 Red/Black Tr 5 Green/Black Tr	6 Orange/Black Tr 7 Red 8 Green 9 Black 10 White	1 Orange 2 Blue 3 White/Black Tr 4 Red/Black Tr 5 Green/Black Tr 6 Orange/Black Tr	7 Blue/Black Tr 8 Black/White Tr 9 Green 10 Red 11 White 12 Black

## DC Micro Style

### DC Micro Style, 18 AWG and 22 AWG, Yellow, Black, or Blue PVC



4-pin DC Micro Cordset

### Specifications

Attribute	Value
Certifications	UL Recognized and CSA Certified
<b>Mechanical</b>	
Coupling nut material	Epoxy-coated zinc
Material	Molded oil-resistant PUR
Contact material	Gold over nickel-plated brass
Cable type	Oil-resistant PVC jacket, 18 AWG or 22 AWG conductors, 300V, UL Recognized and CSA Certified
Bend radius	10 x diameter
Cable diameter [mm (in.)]	<ul style="list-style-type: none"> <li>• 2/c: 5 (0.21)</li> <li>• 3/c: 5 (0.21)</li> <li>• 4/c: 5 (0.21)</li> <li>• 5/c: 6.5 (0.25)</li> <li>• 4/c (18 AWG): 6.5 (0.25)</li> </ul>
<b>Electrical</b>	
Cable rating	UL AWM style 2661 VW-1 105C 300V, CSA AWM A/B I/II 80C 300V FT1; UV-, oil-, and water-resistant
Assembly rating	250V, 4 A
<b>Environmental</b>	
Enclosure type rating	NEMA 6P, 1200 psi (8270 kPa) washdown, IP69K
Temperature rating	-20...+105 °C (-4...+221 °F)

### Product Selection

#### Cordsets

No. of Pins	Color Code <sup>(1)</sup>	Jacket Color	Wire Size [AWG]	Cat. No. <sup>(2)</sup>			
				Straight Socket	Right-angle Socket	Straight Plug	Right-angle Plug
2-pin	A	Yellow	22	889D-F2AC-2	889D-R2AC-2	889D-M2AC-2	889D-E2AC-2
	B	Black		889D-F2BC-Q2	889D-R2BC-Q2	—	—
3-pin	A	Yellow		889D-F3AC-2	889D-R3AC-2	889D-M3AC-2	889D-E3AC-2
	4-pin	Yellow		18	889D-F4AC-2	889D-R4AC-2	889D-M4AC-2
Yellow		22	889D-F4AE-2	889D-R4AE-2	889D-M4AE-2	889D-E4AE-2	
Black			889D-F4BC-2	889D-R4BC-2	889D-M4BC-2	889D-E4BC-2	
Blue			889D-F4LC-2	889D-R4LC-2	889D-M4LC-2	889D-E4LC-2	
5-pin	A	Yellow	22	889D-F5AC-2	889D-R5AC-2	889D-M5AC-2	889D-E5AC-2
		Black		889D-F5BC-2	889D-R5BC-2	889D-M5BC-2	889D-E5BC-2

(1) See [Pinout and Color Code on page 31](#).

(2) The 2 at the end of the catalog number is for 2 m (6.6 ft) cable length. Replace the 2 with 5 (5 m [16.4 ft]) or 10 (10 m [32.8 ft]) for standard cable lengths.

### Patchcords

No. of Pins	Color Code <sup>(1)</sup>	Jacket Color	Wire Size [AWG]	Cat. No. <sup>(2)</sup>			
				Straight Socket Straight Plug	Straight Socket Right-angle Plug	Right-angle Socket Straight Plug	Right-angle Socket Right-angle Plug
2-pin	A	Yellow	22	889D-F2ACDM-2	889D-F2ACDE-2	889D-R2ACDM-2	889D-R2ACDE-2
	B	Black		889D-F2BCDM-Q2	889D-F2BCDE-Q2	889D-R2BCDM-Q2	889D-R2BCDE-Q2
3-pin	A	Yellow	22	889D-F3ACDM-2	889D-F3ACDE-2	889D-R3ACDM-2	889D-R3ACDE-2
4-pin	A	Yellow		889D-F4ACDM-2	889D-F4ACDE-2	889D-R4ACDM-2	889D-R4ACDE-2
	A	Yellow	889D-F4ACDM-V2	889D-F4ACDE-V2	889D-R4ACDM-V2	889D-R4ACDE-V2	
	A	Yellow	18	889D-F4AEDM-2	889D-F4AEDE-2	889D-R4AEDM-2	889D-R4AEDE-2
	A	Black		22	889D-F4BCDM-2	889D-F4BCDE-2	889D-R4BCDM-2
A	Blue	889D-F4LCDM-2	889D-F4LCDE-2		889D-R4LCDM-2	889D-R4LCDE-2	
5-pin	A	Yellow	22	889D-F5ACDM-2	889D-F5ACDE-2	889D-R5ACDM-2	889D-R5ACDE-2
	A	Black		889D-F5BCDM-2	889D-F5BCDE-2	889D-R5BCDM-2	889D-R5BCDE-2

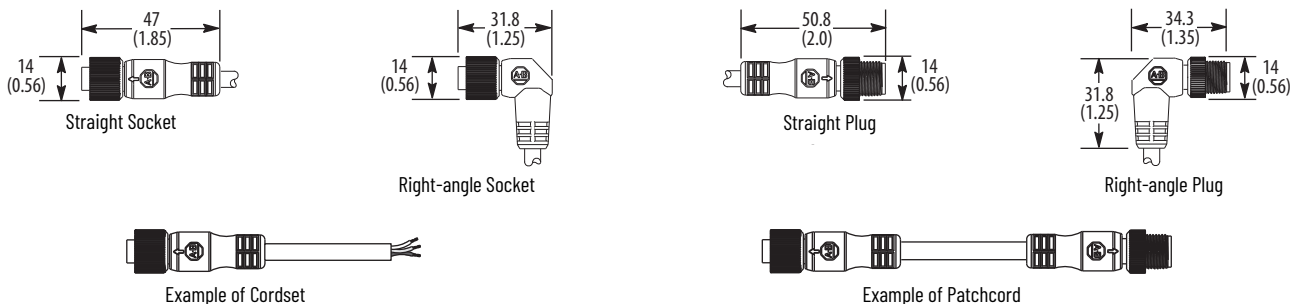
(1) See [Pinout and Color Code](#).

(2) The 2 at the end of the catalog number is for 2 m (6.6 ft) cable length. Replace the 2 with OM3 (0.3 m [1 ft]), 1 (1 m [3.3 ft]), 5 (5 m [16.4 ft]), or 10 (10 m [32.8 ft]) for standard cable lengths.

**IMPORTANT** Stainless-steel connectors can be ordered by adding an S to the catalog number (for example, 889DS-F4AC-x).

### Approximate Dimensions

Dimensions are shown in mm (in.). Dimensions are not intended to be used for manufacturing purposes.



### Pinout and Color Code

Color Code	Face View Pinout							
	2-pin		3-pin		4-pin		5-pin	
	Socket				Plug			
A	1 – 2 – 3 Brown	4 Blue 5 –	1 Brown 2 – 3 Blue	4 Black 5 –	1 Brown 2 White 3 Blue	4 Black 5 –	1 Brown 2 White 3 Blue	4 Black 5 Gray
B	1 Brown 2 – 3 –	4 Blue 5 –	–	–	–	–	–	–

## DC Micro Style, 22 AWG, Yellow PVC Shielded



4-pin DC Micro Cordset

### Specifications

Attribute	Value
Certifications	UL Recognized and CSA Certified
<b>Mechanical</b>	
Coupling nut material	Epoxy-coated zinc
Material	Molded oil-resistant PUR
Contact material	Gold over nickel-plated brass
Cable type	Yellow oil-resistant PVC jacket, 22 AWG conductors, 300V, UL Recognized and CSA Certified
Bend radius	10 x diameter
Cable diameter [mm (in.)]	<ul style="list-style-type: none"> <li>4/c: 5 (0.21)</li> <li>5/c: 6.5 (0.25)</li> </ul>
<b>Electrical</b>	
Cable rating	UL AWM style 2661 VW-1 105C 300V, CSA AWM A/B I/II 80C 300V FT; UV-, oil-, and water-resistant
Assembly rating	250V, 4 A
<b>Environmental</b>	
Enclosure type rating	NEMA 6P, 1200 psi (8270 kPa) washdown, IP69K
Temperature rating	-20...+105 °C (-4...+221 °F)

## Product Selection

### Cordsets

No. of Pins	Color Code <sup>(1)</sup>	Shield	Wire Size [AWG]	Cat. No. <sup>(2)</sup>			
				Straight Socket	Right-angle Socket	Straight Plug	Right-angle Plug
4-pin	A	Braided shield	22	889D-F4EC-2	889D-R4EC-2	889D-M4EC-2	889D-E4EC-2
	A	Foil shield		889D-F4FC-2	889D-R4FC-2	889D-M4FC-2	889D-E4FC-2
	B			889D-F5FC-J2	889D-R5FC-J2	889D-M5FC-J2	889D-E5FC-J2
5-pin	A	Shielded		889D-F5EC-2	889D-R5EC-2	889D-M5EC-2	889D-E5EC-2

(1) See [Pinout and Color Code on page 33](#).

(2) The 2 at the end of the catalog number is for 2 m (6.6 ft) cable length. Replace the 2 with 5 (5 m [16.4 ft]) or 10 (10 m [32.8 ft]) for standard cable lengths.

### Patchcords

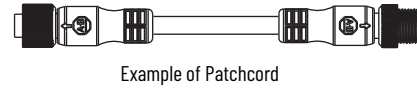
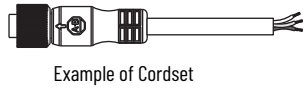
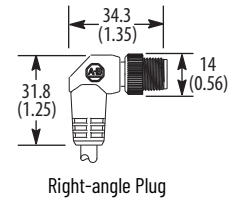
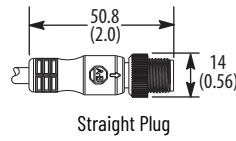
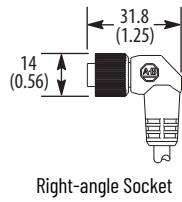
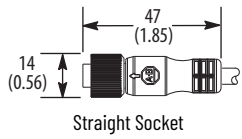
No. of Pins	Color Code <sup>(1)</sup>	Shield	Wire Size [AWG]	Cat. No. <sup>(2)</sup>			
				Straight Socket Straight Plug	Straight Socket Right-angle Plug	Right-angle Socket Straight Plug	Right-angle Socket Right-angle Plug
4-pin	A	Braided shield	22	889D-F4ECDM-2	889D-F4ECDE-2	889D-R4ECDM-2	889D-R4ECDE-2
	A	Foil shield		889D-F4FCDM-2	889D-F4FCDE-2	889D-R4FCDM-2	889D-R4FCDE-2
	B			889D-F5FCDM-J2	889D-F5FCDE-J2	889D-R5FCDM-J2	889D-R5FCDE-J2
5-pin	A	Braided shield		889D-F5ECDM-2	889D-F5ECDE-2	889D-R5ECDM-2	889D-R5ECDE-2

(1) See [Pinout and Color Code on page 33](#).

(2) The 2 at the end of the catalog number is for 2 m (6.6 ft) cable length. Replace the 2 with 0M3 (0.3 m [1 ft]), 1 (1 m [3.3 ft]), 5 (5 m [16.4 ft]), or 10 (10 m [32.8 ft]) for standard cable lengths.

## Approximate Dimensions

Dimensions are shown in mm (in.). Dimensions are not intended to be used for manufacturing purposes.



## Pinout and Color Code

Color Code	Face View Pinout			
	4-pin		5-pin	
	<p>Socket</p>		<p>Plug</p>	
A	1 Brown 2 White 3 Blue	4 Black 5 –	1 Brown 2 White 3 Blue	4 Black 5 Gray
B	1 Brown 2 White 3 Blue	4 Black 5 Drain wire	–	–

## DC Micro Style, 22 AWG, Yellow PVC Quick Connect



4-pin DC Micro Cordset Quick Connect

### Specifications

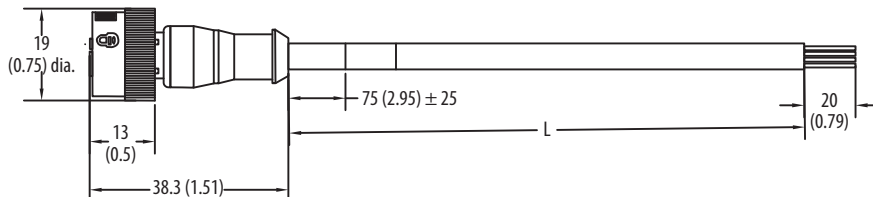
Attribute	Value
Certifications	UL Recognized and CSA Certified
<b>Mechanical</b>	
Coupling nut material	PA 6, black
Contact material	Gold over nickel-plated brass
Cable type	Yellow oil-resistant PVC jacket, 22 AWG conductors, 300V, UL Recognized and CSA Certified
Bend radius	10 x diameter
Cable diameter [mm (in.)]	4/c = 5 (0.21)
<b>Electrical</b>	
Cable rating	UL AWM style 2464 80C 300V VW1, CSA AWM A/B I/II 80C 300V FT; UV-, oil-, and water-resistant
Assembly rating	250V, 4 A
<b>Environmental</b>	
Enclosure type rating	IP67
Temperature rating	-20...+80 °C (-4...+176 °F)

### Product Selection

No. of Pins	Cable Type	Assembly Rating	Wire Size [AWG]	Cat. No.
				Straight Socket
4-pin	PVC cable	250V, 4 A	22	889DQ-F4AC-1
				889DQ-F4AC-2
				889DQ-F4AC-3
				889DQ-F4AC-5
				889DQ-F4AC-7
				889DQ-F4AC-10
				889DQ-F4AC-15
				889DQ-F4AC-20
				889DQ-F4AC-30

### Approximate Dimensions

Dimensions are shown in mm (in.). Dimensions are not intended to be used for manufacturing purposes.



### Pinout and Color Code

Color Code	Face View Pinout	
	4-pin	
	Socket	Plug
A	1 Brown 2 White 3 Blue	4 Black 5 –

## DC Micro Style, 18 AWG and 22 AWG, PUR, TPE, or TPR



4-pin DC Micro Cordset

### Specifications

Attribute	Value
Certifications	UL Recognized and CSA Certified
Coupling nut material	Epoxy-coated zinc
Material	Molded oil-resistant PUR
Contact material	Gold over nickel-plated brass
Cable type	Oil-resistant PVC jacket, 18 AWG and 22 AWG or 24 AWG conductors, 300V; UL Recognized and CSA Certified
Bend radius	10x diameter
Cable diameter [mm (in.)]	<ul style="list-style-type: none"> <li>• 4/c (PUR): 5 (0.21)</li> <li>• 4/c (18 AWG TPE): 7 (0.28)</li> <li>• 4/c (22 AWG TPE): 4.9 (0.19)</li> <li>• 5/c: 6.5 (0.25)</li> <li>• 7/c: 7.4 (0.29)</li> <li>• 8/c: 7.4 (0.29)</li> </ul>
<b>Electrical</b>	
Cable rating	<ul style="list-style-type: none"> <li>• 4 &amp; 5/c (PUR): UL AWM style 20866 VW-1 80C 300V, CSA AWM A/B I/II 80C 300V FTI; UV-, oil-, and water-resistant</li> <li>• 8/c (PUR): UL AWM style 20866 90C 300V, CSA II A 90C 300V</li> <li>• TPE: UL AWM style 20327 VW-1 105C 300V, CSA AWM A/B I/II 105C 300V FTI; UV-, oil-, and water-resistant</li> </ul>
<b>Environmental</b>	
Enclosure type rating	IP67, NEMA 6P, 1200 psi (8270 kPa) washdown, IP69K
Temperature rating	<ul style="list-style-type: none"> <li>• PUR models: -20...+80 °C (-4...+176 °F)</li> <li>• TPE models: -50...+105 °C (-58...+221 °F)</li> <li>• TPR models: -25...+125 °C (-13...+256 °F)</li> </ul>

## Product Selection

### Cordsets

No. of Pins	Cable Type	Wire Size [AWG]	Assembly Rating	Color Code (1)	Cat. No. (2)			
					Straight Socket	Right-angle Socket	Straight Plug	Right-angle Plug
3-pin	PUR	18	250V, 4 A	A	889D-F3UE-2	889D-R3UE-2	889D-M3UE-2	889D-E3UE-2
4-pin	TPE	18			889D-F4HJ-2	889D-R4HJ-2	889D-M4HJ-2	889D-E4HJ-2
		22			889D-F4HL-2	889D-R4HL-2	889D-M4HL-2	889D-E4HL-2
	PUR	22			889D-F4UC-2	889D-R4UC-2	889D-M4UC-2	889D-E4UC-2
		18			889D-F4UE-2	889D-R4UE-2	889D-M4UE-2	889D-E4UE-2
5-pin	PUR	22				889D-F5UC-2	889D-R5UC-2	889D-M5UC-2
8-pin	TPR	24	30V AC/36V DC 1.5 A	B	889D-F8AC-2	—	—	—
	PUR	24			889D-F8AB-2	889D-R8AB-2	889D-M8AB-2	889D-E8AB-2
	PVC shielded	22	—		889D-F8FB-2	889D-R8FB-2	889D-M8FB-2	—

(1) See [Pinout and Color Code on page 36](#).

(2) The 2 at the end of the catalog number is for 2 m (6.6 ft) cable length. Replace the 2 with 5 (5 m [16.4 ft]) or 10 (10 m [32.8 ft]) for standard cable lengths.

Patchcords

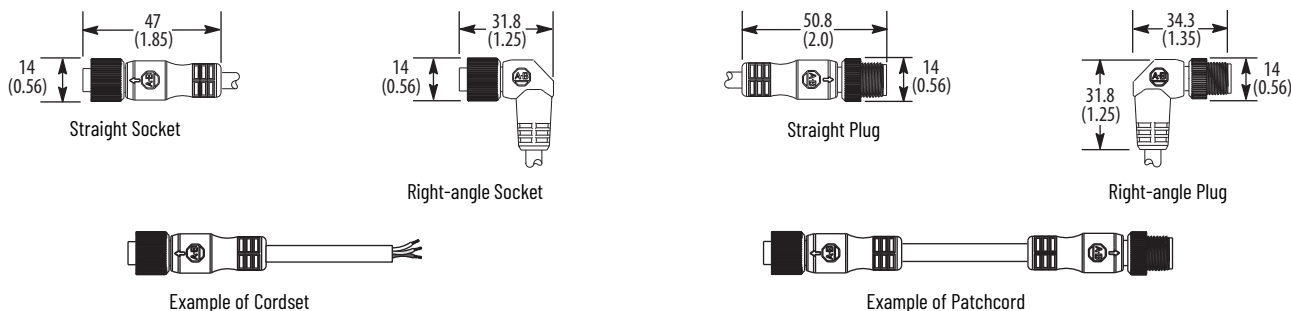
No. of Pins	Cable Type	Wire Size [AWG]	Assembly Rating	Color Code (1)	Cat. No. (2)			
					Straight Socket Straight Plug	Straight Socket Right-angle Plug	Right-angle Socket Straight Plug	Right-angle Socket Right-angle Plug
3-pin	PUR	18	250V, 4 A	A	889D-F3UEDM-2	889D-F3UEDE-2	889D-R3UEDM-2	889D-R3UEDE-2
4-pin	TPE	22			889D-F4HJDM-2	889D-F4HJDE-2	889D-R4HJDM-2	889D-R4HJDE-2
					889D-F4HLDM-2	889D-F4HLDE-2	889D-R4HLDM-2	889D-R4HLDE-2
	PUR	22			889D-F4UCDM-2	889D-F4UCDE-2	889D-R4UCDM-2	889D-R4UCDE-2
					18	889D-F4UEDM-2	889D-F4UEDE-2	889D-R4UEDM-2
5-pin	PUR	22			889D-F5UCDM-2	889D-F5UCDE-2	889D-R5UCDM-2	889D-R5UCDE-2
24		889D-F8ABDM-2	889D-F8ABDE-2	889D-R8ABDM-2	889D-R8ABDE-2			
8-pin	PVC shielded	24	30V AC/36V DC 1.5 A	B	889D-F8FBDM-2	889D-F8FBDE-2	889D-R8FBDM-2	889D-R8FBDE-2

(1) See Pinout and Color Code.

(2) The 2 at the end of the catalog number is for 2 m (6.6 ft) cable length. Replace the 2 with 0M3 (0.3 m [1 ft]), 1 (1 m [3.3 ft]), 5 (5 m [16.4 ft]), or 10 (10 m [32.8 ft]) for standard cable lengths.

Approximate Dimensions

Dimensions are shown in mm (in.). Dimensions are not intended to be used for manufacturing purposes.



Pinout and Color Code

Color Code	Face View Pinout				
	3-pin	4-pin		5-pin	8-pin
	<p>Socket</p>	<p>Socket</p>	<p>Plug</p>	<p>Socket</p>	<p>Plug</p>
A	1 Brown 2 – 3 Blue 4 Black 5 –	1 Brown 2 White 3 Blue	4 Black 5 –	1 Brown 2 White 3 Blue	4 Black 5 Gray
B	–	–	–	–	–
				1 White 2 Brown 3 Green 4 Yellow	5 Gray 6 Pink 7 Blue 8 Red

## DC Micro Style, 18 AWG and 22 AWG, ToughLink or ToughWeld



4-pin DC Micro Cordset

### Specifications

Attribute	Value
Certifications	UL Recognized and CSA Certified
<b>Mechanical</b>	
Coupling nut material	Epoxy-coated zinc
Material	Molded oil-resistant santoprene body
Contact material	Gold over nickel-plated brass
Cable type	ToughLink TPE or ToughWeld CPE yellow jacket, 18 AWG or 22 AWG conductors, 300V; UL Recognized and CSA Certified
Bend radius	10x diameter
Cable diameter [mm (in.)]	<ul style="list-style-type: none"> <li>ToughLink: 8 (0.32)</li> <li>ToughWeld: 9 (0.35)</li> </ul>
<b>Electrical</b>	
Cable rating	<ul style="list-style-type: none"> <li>ToughLink: UL AWM style 20328 600V VW-1 105C to -50C water-resistant, CSA AWM I/II A/B 105C 600V FT2</li> <li>ToughWeld: UL -50C SJ00W 90C dry and 60C water-resistant, CSA -50C SJ00W 90C FT1</li> </ul>
Assembly rating	250V, 3 A
<b>Environmental</b>	
Enclosure type rating	IP67, NEMA 6P, 1200 psi (8270 kPa) washdown, IP69K
Temperature rating	-50...+105 °C (-58...+221 °F)

## Product Selection

### Cordsets

No. of Pins	Material	Wire Size [AWG]	Assembly Rating	Color Code (1)	Cat. No. (2)			
					Straight Socket	Right-angle Socket	Straight Plug	Right-angle Plug
4-pin	ToughLink (TPE)	22	250V, 4 A	A	889D-F4HC-2	889D-R4HC-2	889D-M4HC-2	889D-E4HC-2
	ToughWeld (CPE)	18			889D-F4WE-2	889D-R4WE-2	889D-M4WE-2	889D-E4WE-2
	ToughLink	18			889D-F4HE-2	889D-R4HE-2	889D-M4HE-2	889D-E4HE-2

(1) See [Pinout and Color Code on page 38](#).

(2) The 2 at the end of the cat. no. is for 2 m (6.6 ft) cable length. Replace the 2 with 5 (5 m [16.4 ft]) or 10 (10 m [32.8 ft]) for standard cable lengths.

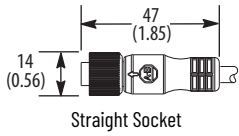
### Patchcords

No. of Pins	Material	Wire Size [AWG]	Assembly Rating	Color Code (1)	Cat. No. (2)			
					Straight Socket Straight Plug	Straight Socket Right-angle Plug	Right-angle Socket Straight Plug	Right-angle Socket Right-angle Plug
4-pin	ToughLink (TPE)	22	250V, 4 A	A	889D-F4HCDM-2	889D-F4HCDE-2	889D-R4HCDM-2	889D-R4HCDE-2
	ToughWeld (CPE)	18			889D-F4WEDM-2	889D-F4WEDE-2	889D-R4WEDM-2	889D-R4WEDE-2
	ToughLink	18			889D-F4HEDM-2	889D-F4HEDE-2	889D-R4HEDM-2	889D-R4HEDE-2

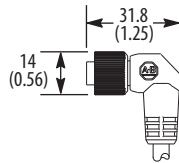
(1) See [Pinout and Color Code on page 38](#).

(2) The 2 at the end of the cat. no. is for 2 m (6.6 ft) cable length. Replace the 2 with 0M3 (0.3 m [1 ft]), 1 (1 m [3.3 ft]), 5 (5 m [16.4 ft]), or 10 (10 m [32.8 ft]) for standard cable lengths.

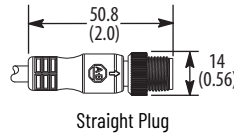
## Approximate Dimensions



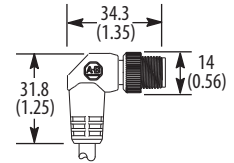
Straight Socket



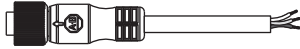
Right-angle Socket



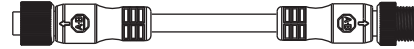
Straight Plug



Right-angle Plug



Example of Cordset



Example of Patchcord

## Pinout and Color Code

Color Code	Face View Pinout	
	4-pin	
A	1 Brown 2 White	3 Blue 4 Black

## DC Micro Style, PLTC, 18 AWG and 22 AWG, Gray PVC



4-pin DC Micro Cordset

### Specifications

Attribute	Value
Certifications	UL Recognized and CSA Certified
<b>Mechanical</b>	
Coupling nut material	Epoxy-coated zinc
Housing material	Molded oil-resistant PVC
Contact material	Gold over nickel-plated brass
Cable type	Oil-resistant gray PVC jacket, 18 AWG or 22 AWG conductors, 300V UL Listed and CSA Certified
Bend radius	10x diameter
Cable diameter [mm (in.)]	<ul style="list-style-type: none"> <li>• 4/c: 5.5 (0.22)</li> <li>• 5/c: 6.1 (0.24)</li> <li>• 4/c (18 AWG): 6.6 (0.25)</li> </ul>
<b>Electrical</b>	
Cable rating	UL PLTC AWM Style 2661VW-1 105C 300V, CSA AWM A/B 1/11 80C 300V FT1; UV-, oil-, and water-resistant
Assembly rating	250V, 4 A
<b>Environmental</b>	
Enclosure type rating	IP67 and IP69K
Temperature rating	-20...+105 °C (-4...+221 °F)

## Product Selection

### Cordsets

No. of Pins	Wire Size [AWG]	Cat. No. <sup>(1)</sup>			
		Straight Socket (Internal Threads)	Right-angle Socket (Internal Threads)	Straight Plug w/External Threads	Right-angle Plug w/External Threads
2-pin	22	889D-F2GC-2	889D-R2GC-2	889D-M2GC-2	889D-E2GC-2
3-pin		889D-F3GC-2	889D-R3GC-2	889D-M3GC-2	889D-E3GC-2
4-pin		889D-F4GC-2	889D-R4GC-2	889D-M4GC-2	889D-E4GC-2
	18	889D-F4GE-2	889D-R4GE-2	889D-M4GE-2	889D-E4GE-2
5-pin	22	889D-F5GC-2	889D-R5GC-2	889D-M5GC-2	889D-E5GC-2

(1) The 2 at the end of the catalog number is for 2 m (6.6 ft) cable length. Replace the 2 with 5 (5 m [16.4 ft]), or 10 (10 m [32.8 ft]) for standard cable lengths.

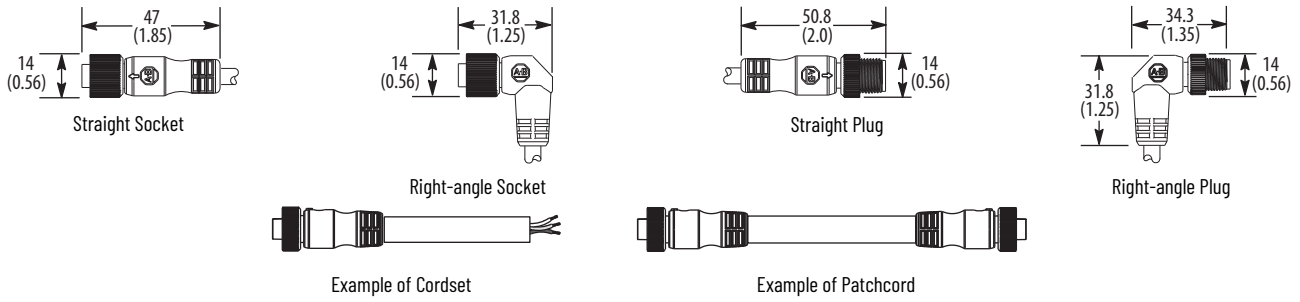
### Patchcords

No. of Pins	Wire Size [AWG]	Cat. No. <sup>(1)</sup>			
		Straight Socket Straight Plug	Straight Socket Right-angle Plug	Right-angle Socket Straight Plug	Right-angle Socket Right-angle Plug
2-pin	22	889D-F2GCDM-2	889D-F2GCDE-2	889D-R2GCDM-2	889D-R2GCDE-2
3-pin		889D-F3GCDM-2	889D-F3GCDE-2	889D-R3GCDM-2	889D-R3GCDE-2
4-pin		889D-F4GCDM-2	889D-F4GCDE-2	889D-R4GCDM-2	889D-R4GCDE-2
	18	889D-F4GEDM-2	889D-F4GEDE-2	889D-R4GEDM-2	889D-R4GEDE-2
5-pin	22	889D-F5GCDM-2	889D-F5GCDE-2	889D-R5GCDM-2	889D-R5GCDE-2

(1) The 2 at the end of the catalog number is for 2 m (6.6 ft) cable length. Replace the 2 with 1 (1 m [3.3 ft]), 3 (3 m [9.8 ft]), 5 (5 m [16.4 ft]), or 10 (10 m [32.8 ft]) for standard cable lengths.

## Approximate Dimensions

Dimensions are shown in mm (in.). Dimensions are not intended to be used for manufacturing purposes.



## Pinout and Color Code

Color Code	Face View Pinout			
	2-pin	3-pin	4-pin	5-pin
	<p>Socket</p>	<p>Plug</p>	<p>Socket</p>	<p>Plug</p>
A	1 – 2 – 3 Brown 4 Blue 5 –	1 Brown 2 – 3 Blue 4 Black 5 –	1 Brown 2 White 3 Blue 4 Black 5 –	1 Brown 2 White 3 Blue 4 Black 5 Gray

## DC Micro Style, 20 AWG and 22 AWG, LED or Coiled



4-pin DC Micro Cordset

### Specifications

Attribute	Value
Certifications	UL Recognized and CSA Certified
<b>Mechanical</b>	
Coupling nut material	Epoxy-coated zinc
Material	Molded oil-resistant PVC
Contact material	Gold over nickel-plated brass
Cable type	Oil-resistant yellow PVC jacket, 20 AWG or 22 AWG stranded copper, 300V, UL Recognized and CSA Certified
Bend radius	10x diameter
Cable diameter [mm (in.)]	<ul style="list-style-type: none"> <li>Light-emitting diode (LED): 5 (0.2)</li> <li>Coiled: 7.1 (0.28)</li> </ul>
<b>Electrical</b>	
Cable rating	LED models: UL AWM style 2661 VW-1 105C 300V, CSA AWM A/B I/ II 80C 300V FT1; UV-, oil-, and water-resistant
Assembly rating	30V, 4 A
<b>Environmental</b>	
Enclosure type rating	IP67, NEMA 6P
Temperature rating	-20...+105 °C (-4...+221 °F)

## Product Selection

### LED Cordsets

No. of Pins	Jacket Material	Wire Size [AWG]	Color Code <sup>(1)</sup>	Output Type LED	Cat. No. <sup>(2)</sup>	
					Straight Socket	Right-angle Socket
4-pin/3-wire DC micro	Yellow PVC	22	A	PNP	889D-B3AC-2	889D-P3AC-2
				NPN	889D-A3AC-2	889D-N4AC-2
4-pin			B	PNP	889D-B4AC-2	889D-P4AC-2
				NPN	889D-A4AC-2	889D-N4AC-2

(1) See [Pinout and Color Code on page 43](#).

(2) The 2 at the end of the catalog number is for a 2 m (6.6 ft) cable length. Replace the 2 with a 5 (5 m [16.4 ft]) or 10 (10 m [32.8 ft]) for standard cable lengths.

Change AC to:	For:	
AE	18 AWG	Yellow PVC cable
AB	24 AWG	Yellow PVC cable
EC	22 AWG	Yellow PVC, braided shield cable
FC	22 AWG	Yellow PVC, foil shield cable
BC	22 AWG	Black PVC cable
BB	24 AWG	Black PVC cable
HJ	18 AWG	TPE cable
HB	24 AWG	TPE cable
UC	22 AWG	PUR cable
UB	24 AWG	PUR cable
JB	24 AWG	Black PUR halogen-free

### Coiled Cordsets

Cable No. of Pins	Assembly Rating	Color Code <sup>(1)</sup>	Cat. No. Straight Socket
4-pin	20 AWG, 250V, 4 A	A	889D-F4AD-C5F

(1) See [Pinout and Color Code on page 43](#).

Patchcords

No. of Pins		Jacket Material	Wire Size	Color Code <sup>(1)</sup>	Output Type	Cat. No. <sup>(2)</sup>			
Socket	Plug					LED	Straight Socket Straight Plug	Straight Socket Right-angle Plug	Right-angle Socket Straight Plug
3-pin	4-pin	Yellow PVC	22 AWG	A	PNP	889D-B3ACDM-2	889D-B3ACDE-2	889D-P3ACDM-2	889D-P3ACDE-2
					NPN	889D-A3ACDM-2	889D-A3ACDE-2	889D-N3ACDM-2	889D-N3ACDE-2
4-pin	4-pin				PNP	889D-B4ACDM-2	889D-B4ACDE-2	889D-P4ACDM-2	889D-P4ACDE-2
					NPN	889D-A4ACDM-2	889D-A4ACDE-2	889D-N4ACDM-2	889D-N4ACDE-2

(1) See [Pinout and Color Code on page 43](#).

(2) The 2 at the end of the catalog number is for 2 m (6.6 ft) cable length. Replace the 2 with 5 (5 m [16.4 ft]) or 10 (10 m [32.8 ft]) for standard cable lengths.

Change AC to:	For:	
AE	18 AWG	Yellow PVC cable
AC	22 AWG	Yellow PVC cable
AB	22 AWG	Yellow PVC cable
EC	22 AWG	Yellow PVC, braided shield cable
BC	22 AWG	Black PVC cable
BB	24 AWG	Black PVC cable
HJ	18 AWG	TPE cable
HB	24 AWG	TPE cable
UC	22 AWG	PUR cable
UB	24 AWG	PUR cable
JB	24 AWG	Black PUR halogen-free

Patchcords—Threaded

No. of Pins		Jacket Material	Wire Size	Color Code <sup>(1)</sup>	Output Type	Cat. No. <sup>(2)</sup>			
Socket	Plug					LED	Straight Socket Straight Plug	Straight Socket Right-angle Plug	Right-angle Socket Straight Plug
4-pin	4-pin	Yellow PVC	22 AWG	A	PNP	889D-B3ABPM-2	889D-B3ABPE-2	889D-P3ABPM-2	889D-P3ABPE-2
					NPN	889D-A3ABPM-2	889D-A3ABPE-2	889D-N3ABPM-2	889D-N3ABPE-2

(1) See [Pinout and Color Code on page 43](#).

(2) The 2 at the end of the catalog number is for 2 m (6.6 ft) cable length. Replace the 2 with 5 (5 m [16.4 ft]) or 10 (10 m [32.8 ft]) for standard cable lengths.

Change AB to:	For:	
BB	24 AWG	Black PVC cable
HB	24 AWG	TPE cable
UB	24 AWG	PUR cable
JB	24 AWG	Black PUR halogen-free

Patchcords—Snap On

No. of Pins		Jacket Material	Wire Size	Color Code <sup>(1)</sup>	Output Type	Cat. No. <sup>(2)</sup>			
Socket	Plug					LED	Straight Socket Straight Plug	Straight Socket Right-angle Plug	Right-angle Socket Straight Plug
4-pin	4-pin	Yellow PVC	24 AWG	A	—	889D-B3UBPG-2	889D-B3UBPH-2	889D-P3UBPG-2	889D-P3UBPH-2
						889D-A3UBPG-2	889D-A3UBPH-2	889D-N3UBPG-2	889D-N3UBPH-2


(1) See [Pinout and Color Code on page 43](#).

(2) The 2 at the end of the catalog number is for 2 m (6.6 ft) cable length. Replace the 2 with 5 (5 m [16.4 ft]) or 10 (10 m [32.8 ft]) for standard cable lengths.

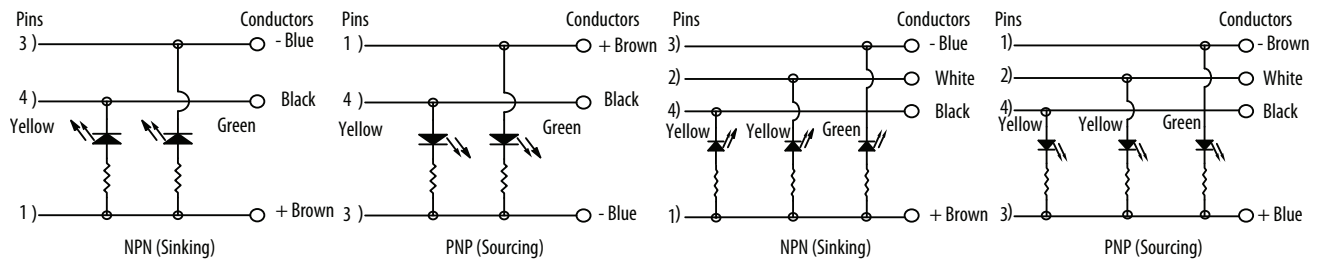
Change UB to:	For:	
JB	24 AWG	Black PUR halogen-free

**IMPORTANT** PNP cable used with PNP sensor output. NPN cable used with NPN sensor output.  
Stainless-steel models are available by changing 889D to 889DS.

## Pinout and Color Code

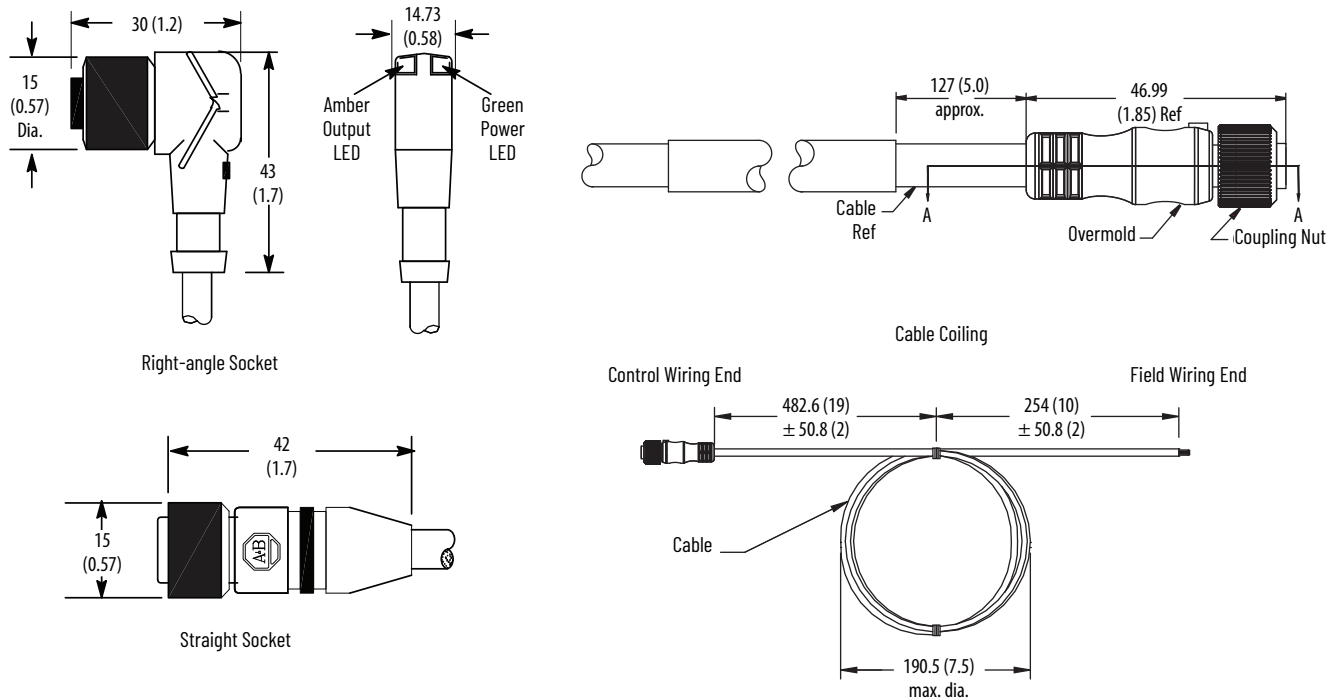
Color Code	Face View Pinout	
	4-pin	
		
A	1 Brown 2 –	3 Blue 4 Black
B	1 Brown 2 White	3 Blue 4 Black

## Wiring Diagrams



## Approximate Dimensions

Dimensions are shown in mm (in.). Dimensions are not intended to be used for manufacturing purposes.



## DC Micro Style, 24 AWG, Pico to Micro, PVC



DC Micro to Pico Patchcord

### Specifications

Attribute	Value
Certifications	UL Recognized and CSA Certified
<b>Mechanical</b>	
Coupling nut material	<ul style="list-style-type: none"> <li>DC Micro: Black epoxy-coated zinc</li> <li>Pico: Nickel-plated brass</li> </ul>
Material	<ul style="list-style-type: none"> <li>DC Micro: Molded oil-resistant PUR</li> <li>Pico: Molded oil-resistant TPE</li> </ul>
Contact material	Gold over nickel-plated brass
Cable type	Oil-resistant yellow PVC jacket, 24 AWG conductors, 300V, UL Recognized and CSA Certified
Cable diameter [mm (in.)]	<ul style="list-style-type: none"> <li>3/c = 4.6 (0.18)</li> <li>4/c = 4.6 (0.18)</li> </ul>
<b>Electrical</b>	
Cable rating	UL CM AWM style 2661 VW-1 105C 300V, CSA AWM A/B I/II 105C 300V FT1
Assembly rating	60V AC/75V DC, 4 A
<b>Environmental</b>	
Enclosure type rating	<ul style="list-style-type: none"> <li>Screw-type: IP67</li> <li>Snap-on type: IP65</li> </ul>
Temperature rating	<ul style="list-style-type: none"> <li>PVC and TPE models: -20...+105 °C (-4...+221 °F)</li> <li>PUR models: -20...+80 °C (-4...+176 °F)</li> </ul>

## Product Selection

### Patchcords

Style: Socket to Plug	Pinout (1)	Wire Size [AWG]	Assembly Rating	Cat. No. (2)			
				Straight Socket Straight Plug	Straight Socket Right-angle Plug	Right-angle Socket Straight Plug	Right-angle Socket Right-angle Plug
3-pin Pico to 4-pin Micro	A	24	60V AC/75V DC, 4 A	889P-F3ABD4M-2	889P-F3ABD4E-2	889P-R3ABD4M-2	889P-R3ABD4E-2
4-pin Pico to 4-pin Micro	B	24	60V AC/75V DC 4 A	889P-F4ABDM-2	889P-F4ABDE-2	—	—
4-pin Micro to 3-pin Pico	C	24	60V AC/75V DC, 4 A	889D-F4ABP3M-2	889D-F4ABP3E-2	889D-R4ABP3M-2	889D-R4ABP3E-2

(1) See [Pinout on page 45](#).

(2) The 2 at the end of the catalog number is for 2 m (6.6 ft) cable length. Replace the 2 with 1 (1 m [3.3 ft]), 5 (5 m [16.4 ft]), or 10 (10 m [32.8 ft]) for standard cable lengths.



## DC Micro Style, 22 AWG, Yellow or Black PVC V-cables



DC Micro V-cable

### Specifications

Attribute	Value
Certifications	UL Recognized and CSA Certified
<b>Mechanical</b>	
Coupling nut material	Epoxy-coated zinc
Connector insert material	Molded oil-resistant PUR
Contact material	Gold over nickel-plated brass
Cable type	Oil-resistant PVC jacket, 22 AWG conductors, 300V
Cable diameter	5 mm (0.21 in.) PVC unshielded
<b>Electrical</b>	
Cable rating	UL AWM style 2661 VW-1 105C 300V, CSA AWM A/B I/II 80C 300V FT1; UV-, oil-, and water-resistant
Assembly rating	30V, 4 A
<b>Environmental</b>	
Enclosure type rating	IP67, NEMA 6P, 1200 psi (8270 kPa) washdown, IP69K
Temperature rating	-20...+105 °C (-4...+221 °F)

### Product Selection

#### V-cable Cordsets

Type	Jacket Material	Assembly Rating	Cat. No. <sup>(1)</sup>
3-pin to 4-pin	Yellow PVC	250V, 4 A	879D-C3ACD4M-2
Standard wiring			

(1) The 2 at the end of the catalog number is for 2 m (6.6 ft) cable length. Replace the 2 with 0M3 (0.3 m [1 ft]), 1 (1 m [3.3 ft]), or 5 (5 m [16.4 ft]) for standard cable lengths.

#### V-cable Patchcords

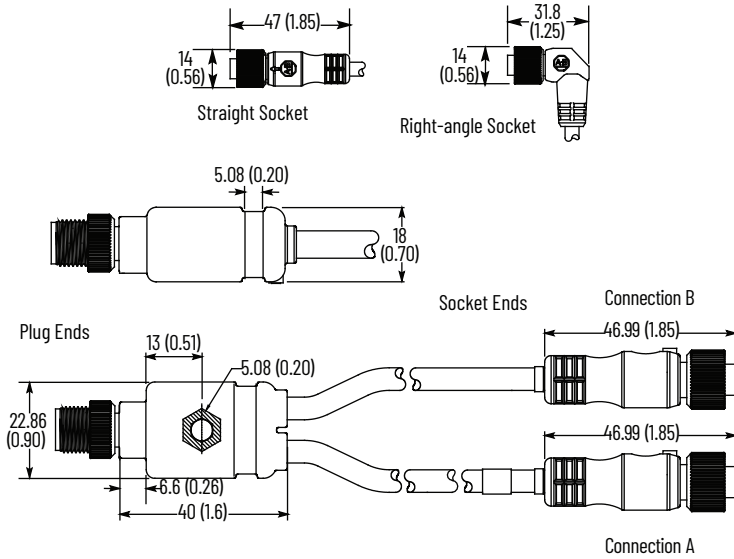
Type	Jacket Material	Assembly Rating	Cat. No. <sup>(1)</sup>	
			Straight Socket	Right-angle Socket
Standard wiring	Yellow PVC	250V, 4 A	879D-F4ACDM-2	879D-R4ACDM-2
	Black PVC		879D-F4BCDM-2	879D-R4BCDM-2
Standard wiring with Pin 5	Yellow PVC		879D-F5ACDM-2	879D-R5ACDM-2
	Black PVC		879D-F5BCDM-2	879D-R5BCDM-2
Individual power wiring	Yellow PVC		879D-F4ACD5M-2	879D-R4ACD5M-2
	Black PVC		879D-F4BCD5M-2	879D-R4BCD5M-2
Standard wiring	Yellow braided PVC		879D-F4ECDM-2	879D-R4ECDM-2
5-pin wiring	Yellow braided PVC		879D-F5ECDM-2	879D-R5ECDM-2
Mat manager wiring	Yellow PVC		879D-F4ACDM-B2	879D-R4ACDM-B2
Individual power wiring	Yellow braided PVC		879D-F4ECD5M-2	879D-R4ECD5M-2

(1) The 2 at the end of the catalog number is for 2 m (6.6 ft) cable length. Replace the 2 with 0M3 (0.3 m [1 ft]), 1 (1 m [3.3 ft]), or 5 (5 m [16.4 ft]) for standard cable lengths.

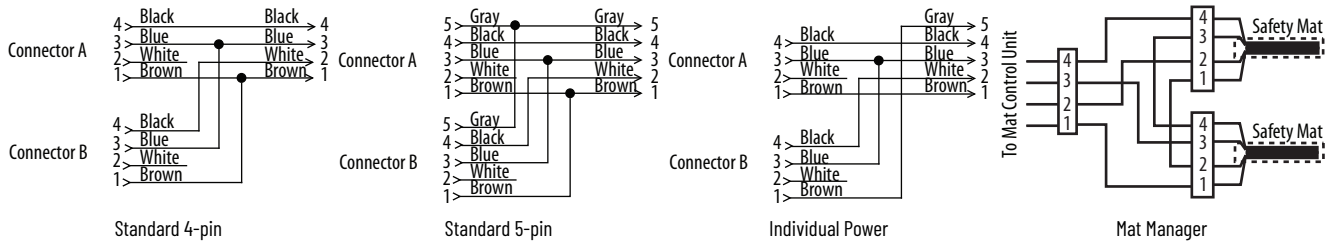
**IMPORTANT** Stainless-steel connectors can be ordered by adding an S to the catalog number (for example, 879DS-F4DM-x).

## Approximate Dimensions

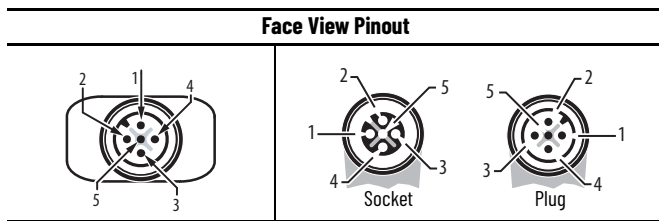
Dimensions are shown in mm (in.). Dimensions are not intended to be used for manufacturing purposes.



## Wiring Diagrams



## Pinout



## DC Micro Style, V-cable LEDs



DC Micro V-cable

## Specifications

Attribute	Value
Certifications	UL Recognized and CSA Certified
<b>Mechanical</b>	
Coupling nut material	Epoxy-coated zinc
Connector insert material	Molded oil-resistant PUR
Contact material	Gold over nickel-plated brass
Cable type	Oil-resistant PVC jacket, 22 AWG conductors, 300V
Cable diameter	5 mm (0.21 in.) PVC unshielded
<b>Electrical</b>	
Cable rating	UL AWM style 2661 VW-1 105C 300V, CSA AWM A/B I/II 80C 300V FTI; UV-, oil-, and water-resistant
Assembly rating	30V, 4 A
<b>Environmental</b>	
Enclosure type rating	IP67, NEMA 6P, 1200 psi (8270 kPa) washdown, IP69K
Temperature rating	-20...+105 °C (-4...+221 °F)

## Product Selection

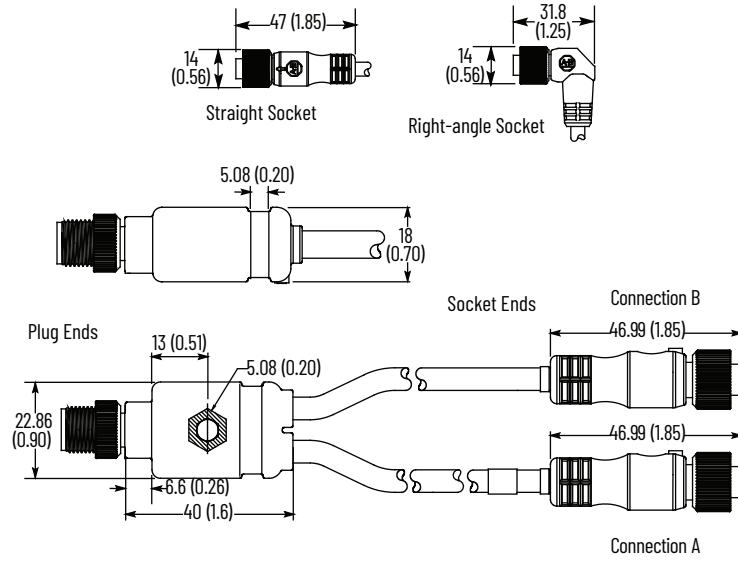
Type	Output Type	Wire Size [AWG]	Jacket Material	Cat. No. <sup>(1)</sup>	
				Straight Socket	Right-angle Socket
Standard wiring	PNP	22	Yellow PVC	879D-B4ACDM-2	879D-P4ACDM-2
	NPN			879D-A4ACDM-2	879D-N4ACDM-2
Individual power	PNP			879D-B4ACD5M-2	879D-P4ACD5M-2
	NPN			879D-A4ACD5M-2	879D-N4ACD5M-2

(1) The 2 at the end of the catalog number is for 2 m (6.6 ft) cable length. Replace the 2 with 0M3 (0.3 m [1 ft]), 1 (1 m [3.3 ft]), or 5 (5 m [16.4 ft]) for standard cable lengths.

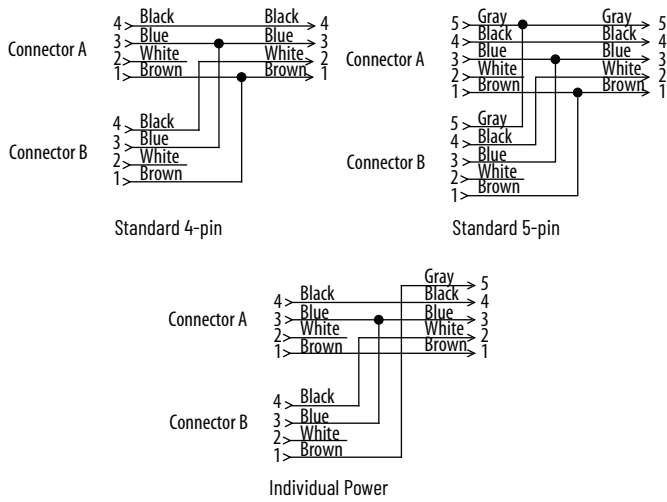
Change AC to:	For:	
EC	22 AWG	Yellow, braided cable
BC	22 AWG	Black PVC cable
HJ	18 AWG	Yellow TPE flex-rated cable

## Approximate Dimensions

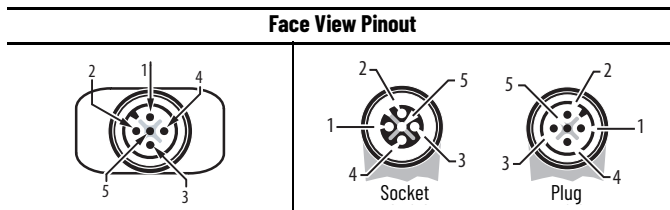
Dimensions are shown in mm (in.). Dimensions are not intended to be used for manufacturing purposes.



## Wiring Diagrams



## Pinout



## DC Micro Style, V-cables 18 AWG, PVC and TPE



DC Micro V-cable

### Specifications

Attribute	Value
Certifications	UL Recognized and CSA Certified
<b>Mechanical</b>	
Coupling nut material	Epoxy-coated zinc
Connector insert material	Molded oil-resistant PVC
Contact material	Gold over nickel-plated brass
Cable type	Oil-resistant yellow PVC or TPE jacket, 18 AWG conductors, 300V
Cable diameter	<ul style="list-style-type: none"> <li>PVC: 6.5 mm (0.25 in.)</li> <li>TPE: 7 mm (0.28 in.)</li> </ul>
<b>Electrical</b>	
Cable rating	<ul style="list-style-type: none"> <li>PVC: UL AWM style 2661 VW-1 105C 300V, CSA AWM A/B I/II 80C 300V FT1; UV-, oil-, and water-resistant</li> <li>TPE: UL AWM style 20327 VW-1 105C 300V, CSA AWM A/B I/II 105C 300V FT1; UV-, oil-, and water-resistant</li> </ul>
Assembly rating	250V, 4 A
<b>Environmental</b>	
Enclosure type rating	IP67, NEMA 6P, 1200 psi (8270 kPa) washdown, IP69K
Temperature rating	-20...+105 °C (-4...+221 °F)

### Product Selection

#### V-cable Cordsets

Type	Jacket Material	Assembly Rating	Cat. No. <sup>(1)</sup>
<b>3-pin to 4-pin</b>			
Standard wiring	Yellow PVC	250V, 4 A	879D-C3AED4M-2

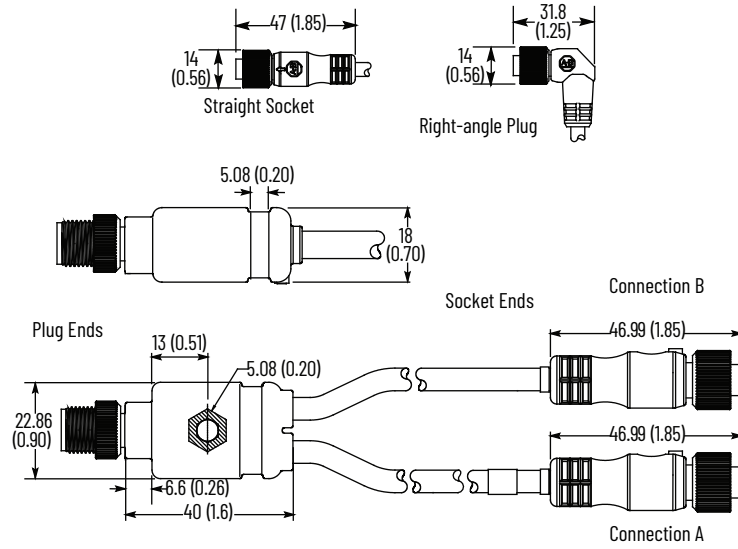
(1) The 2 at the end of the catalog number is for 2 m (6.6 ft) cable length. Replace the 2 with 0M3 (0.3 m [1 ft]), 1 (1 m [3.3 ft]), or 5 (5 m [16.4 ft]) for standard cable lengths.

#### V-cables

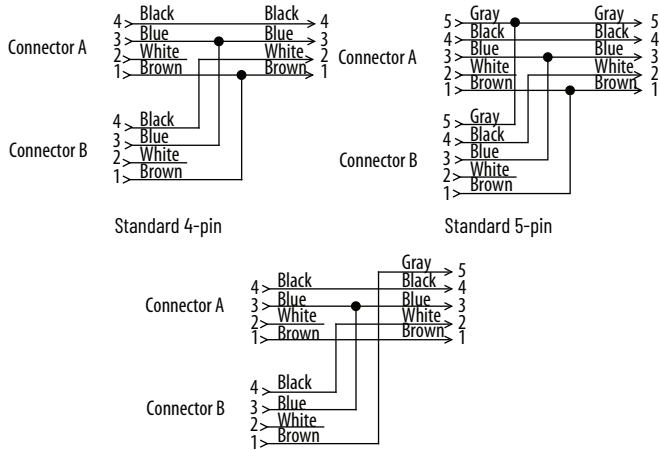
Type	Jacket Material	Assembly Rating	Cat. No. <sup>(1)</sup>	
			Straight Socket	Right-angle Socket
Standard wiring	Yellow PVC	250V, 4 A	879D-F4AEDM-2	879D-R4AEDM-2
	Yellow TPE		879D-F4HJDM-2	879D-R4HJDM-2
Individual power wiring	Yellow PVC	250V, 4 A	879D-F4AED5M-2	879D-R4AED5M-2
	Yellow TPE		879D-F4HJD5M-2	879D-R4HJD5M-2

(1) The 2 at the end of the catalog number is for 2 m (6.6 ft) cable length. Replace the 2 with 0M3 (0.3 m [1 ft]), 1 (1 m [3.3 ft]), or 5 (5 m [16.4 ft]) for standard cable lengths.

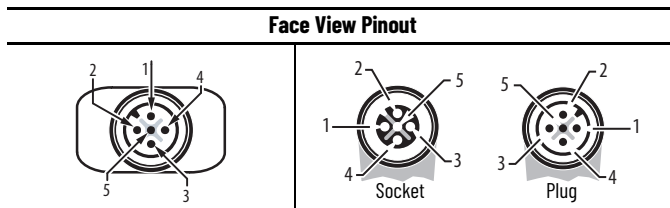
## Approximate Dimensions



## Wiring Diagrams



## Pinout



## DC Micro Style, Y-cables 22 AWG, PVC and TPE



DC Micro V-cable

### Specifications

Attribute	Value
Certifications	UL Recognized and CSA Certified
<b>Mechanical</b>	
Coupling nut material	Epoxy-coated zinc
Connector insert material	Molded oil-resistant PVC
Contact material	Gold over nickel-plated brass
Cable type	Oil-resistant yellow PVC or TPE jacket, 18 AWG conductors, 300V
Cable diameter	<ul style="list-style-type: none"> <li>PVC: 6.5 mm (0.25 in.)</li> <li>TPE: 7 mm (0.28 in.)</li> </ul>
<b>Electrical</b>	
Cable rating	<ul style="list-style-type: none"> <li>PVC: UL AWM style 2661 VW-1 105C 300V, CSA AWM A/B I/II 80C 300V FT1; UV-, oil-, and water-resistant</li> <li>TPE: UL AWM style 20327 VW-1 105C 300V, CSA AWM A/B I/II 105C 300V FT1; UV-, oil-, and water-resistant</li> </ul>
Assembly rating	250V, 4 A
<b>Environmental</b>	
Enclosure type rating	IP67, NEMA 6P, 1200 psi (8270 kPa) washdown, IP69K
Temperature rating	-20...+105 °C (-4...+221 °F)

### Product Selection

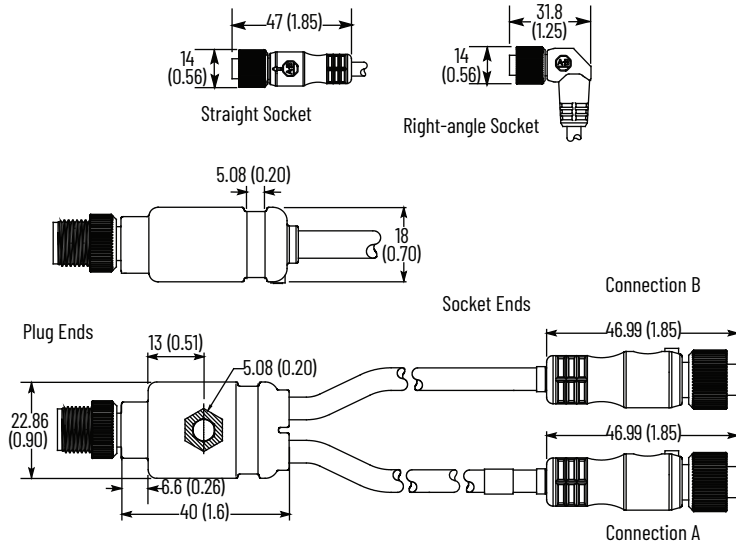
Type	Jacket Material	Connector End	Pigtail	Cat. No. (1)(2)(3)
Standard wiring	Yellow PVC	Straight socket	Straight plug	879D-F4ACT1M-2
			Right-angle plug	879D-F4ACT1E-2
		Right-angle socket	Straight plug	879D-R4ACT1M-2
			Right-angle plug	879D-R4ACT1E-2
5-pin wiring	Yellow PVC	Straight socket	Straight plug	879D-F5ACT1M-2
			Straight plug	879D-F5ACT1E-2
		Right-angle socket	Straight plug	879D-R5ACT1M-2
			Right-angle plug	879D-R5ACT1E-2
Individual power wiring	Yellow braided PVC	Straight socket	Straight plug	879D-F5AC5T1M-2
			Straight plug	879D-F5AC5T1E-2
		Right-angle socket	Straight plug	879D-R5AC5T1M-2
			Right-angle plug	879D-R5AC5T1E-2

(1) The 2 at the end of the catalog number is for 2 m (6.6 ft) cable length. Replace the 2 with 0M3 (0.3 m [1 ft]), 1 (1 m [3.3 ft]), or 5 (5 m [16.4 ft]) for standard cable lengths.  
 (2) The 1 represents the Y-cable extension. Replace the 1 with 0M3 (0.3 m [1 ft]), 2 (2 m [6.6 ft]), 5 (5 m [16.4 ft]), or 10 (10 m [32.8 ft]) for standard Y-cable lengths.  
 (3) See the following table:

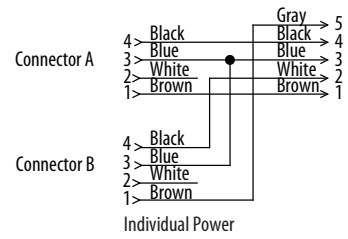
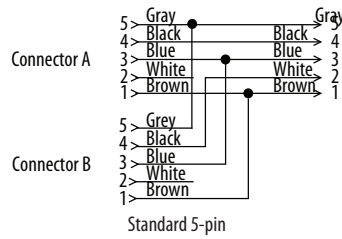
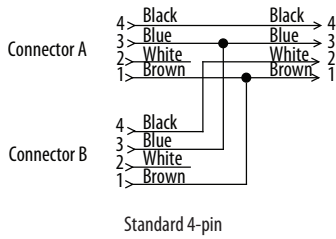
Change AC to:	For:	
EC	22 AWG	Yellow, braided OVC cable
BC	22 AWG	Black PVC cable
AE	18 AWG	Yellow PVC cable
HJ	18 AWG	Yellow TPE flex-rated cable

## Approximate Dimensions

Dimensions are shown in mm (in.). Dimensions are not intended to be used for manufacturing purposes.



## Wiring Diagrams



## DC Micro Style Splitters Standard Individual Power and Tap-Style Wiring



Splitter, DC Micro

### Specifications

Attribute	Value
Certifications	UL Recognized and CSA Certified
<b>Mechanical</b>	
Coupling nut material	Black epoxy-coated zinc
Connector insert material	PUR
Contact material	Gold over nickel-plated brass
O-ring material	Viton
<b>Electrical</b>	
Assembly rating	250V, 4 A
<b>Environmental</b>	
Enclosure type rating	IP67, NEMA 6P, 1200 psi (8270 kPa) washdown
Temperature rating	-20...+105 °C (-4...+221 °F)

## Product Selection

Connector Style	Wiring Diagram	Assembly Rating	Approximate Dimensions <sup>(1)</sup>	Cat. No.
Standard wiring (without pin 5)		250V, 4 A	Figure A	879D-F4DM
Standard wiring (with pin 5)				879D-F5DM
Standard wiring (with pin 5) for MDSA		250V, 4 A	Figure C	898D-53PY-D5 <sup>(2)</sup>
Individual power wiring		250V, 4 A	Figure A	879D-F4D5M
Tap-style wiring		250V, 4 A	Figure A	1485P-RDR5
		250V, 4 A	Figure B	1485P-DRR5

(1) See [Approximate Dimensions on page 56](#).

(2) This model ships with nickel-plated brass coupling nuts and is not available in a stainless-steel version.

**IMPORTANT** Stainless-steel connectors can be ordered by adding an S to the catalog number (for example, 879D**S**-F4DM-x).

## Approximate Dimensions

Dimensions are shown in mm (in.). Dimensions are not intended to be used for manufacturing purposes.

Figure A

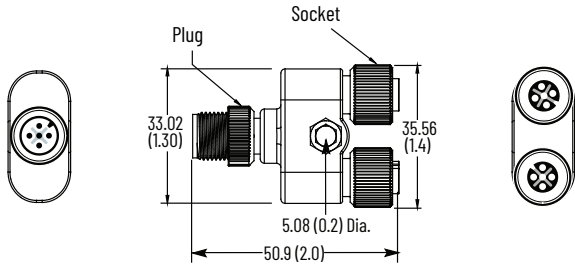


Figure B

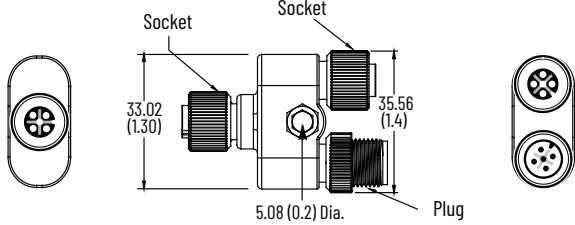
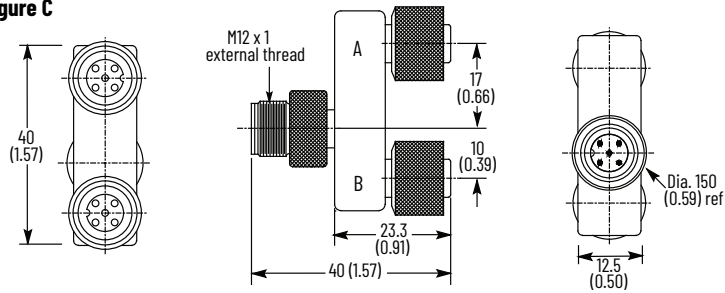


Figure C



## Pinout

Face View Pinout	
4-pin	
Color Code	
	<p>Socket</p> <p>Plug</p>
A	<p>1 Brown      3 Blue</p> <p>2 White      4 Black</p>

## DC Micro Style Receptacles, 18 AWG and 22 AWG, 1/2 NPT, 1/4 NPT, M14, Rear-mount, or PG9 Mounting Threads



DC Micro Socket Receptacle

### Specifications

Attribute	Value
<b>Mechanical</b>	
Receptacle shell material	Black anodized machined nickel
Connector insert material	Nylon or TPU
Contact material	Gold over nickel-plated brass
Cable type	Oil-resistant PVC, 18 AWG or 22 AWG stranded copper, 300V, UL Recognized and CSA Certified
<b>Electrical</b>	
Assembly rating	250V, 4 A 8-pin: 300V, 1.5 A
<b>Environmental</b>	
Enclosure type rating	NEMA 1, 3, 4, 6P and IEC IP68
Operating temperature	-40...+105 °C (-40...+221 °F)
O-ring material	Buna-N

### Mating Components and Accessories

Description	Cat. No. <sup>(1)</sup>
1/2-inch 14 NPT mounting nut	889A-U1NUT-10
1/2-inch 14 NPT flat sealing washer	889A-U1FSL-10

(1) Sold in bags of 10.

## Product Selection

### 22 AWG Receptacles

No. of Pins	Assembly Rating [AWG]	Drawing <sup>(1)</sup>	Panel Mount Threads	Cat. No.	
				Socket	Plug
3-pin	250V, 4 A	A	1/4 inch-18 NPT	888D-F3AC2-1 <sup>(2)</sup>	—
		C	1/2 inch-14 NPT	888D-F3AC1-1 <sup>(2)</sup>	888D-M3AC1-1 <sup>(2)</sup>
		B	M14 x 1	888D-F3AC6-1 <sup>(2)</sup>	888D-M3AC6-1 <sup>(2)</sup>
		D	Rear mount PG 9	888D-F3AC5-1 <sup>(3)</sup>	888D-M3AC5-1 <sup>(3)</sup>
4-pin	250V, 4 A	A	1/4 inch-18 NPT	888D-F4AC2-1 <sup>(2)</sup>	—
		C	1/2 inch-14 NPT	888D-F4AC1-1 <sup>(2)</sup>	888D-M4AC1-1 <sup>(2)</sup>
		B	M14 x 1	888D-F4AC6-1 <sup>(2)</sup>	888D-M4AC6-1 <sup>(2)</sup>
		D	Rear mount PG 9	888D-F4AC5-1 <sup>(3)</sup>	888D-M4AC5-1 <sup>(3)</sup>
5-pin	250V, 4 A	C	1/2 inch-14 NPT	888D-F5AC1-1 <sup>(2)</sup>	888D-M5AC1-1 <sup>(2)</sup>
		B	M14 x 1	888D-F5AC6-1 <sup>(2)</sup>	888D-M5AC6-1 <sup>(2)</sup>
		D	Rear mount PG 9	888D-F5AC5-1 <sup>(3)</sup>	888D-M5AC5-1 <sup>(3)</sup>
8-pin	24 AWG, 300V, 2.0 A	E	PG 9	888D-F8AB3-1 <sup>(2)</sup>	888D-M8AB3-1 <sup>(2)</sup>

(1) See [Approximate Dimensions on page 58](#).

(2) The 1 at the end of the catalog number is for 1 m (3.3 ft) cable length. Replace the 1 with OM3 (0.3 m [1 ft]) for standard cable lengths.

(3) The 1 at the end of the catalog number is for 1 m (3.3 ft) cable length. Replace the 1 with OM5 (0.5 m [1 ft]) for standard cable lengths.

### 18 AWG Receptacles

No. of Pins	Assembly Rating [AWG]	Drawing <sup>(1)</sup>	Panel Mount Threads	Cat. No.	
				Socket	Plug
4-pin	250V, 4 A	C	1/2 inch-14 NPT	888D-F4AE1-1 <sup>(2)</sup>	888D-M4AE1-1 <sup>(2)</sup>
		D	Rear mount PG9	888D-F4AE5-1 <sup>(3)</sup>	888D-M4AE5-1 <sup>(3)</sup>
5-pin		C	1/2 inch-14 NPT	888D-F5AE1-1 <sup>(2)</sup>	888D-M5AE1-1 <sup>(2)</sup>

(1) See [Approximate Dimensions](#).

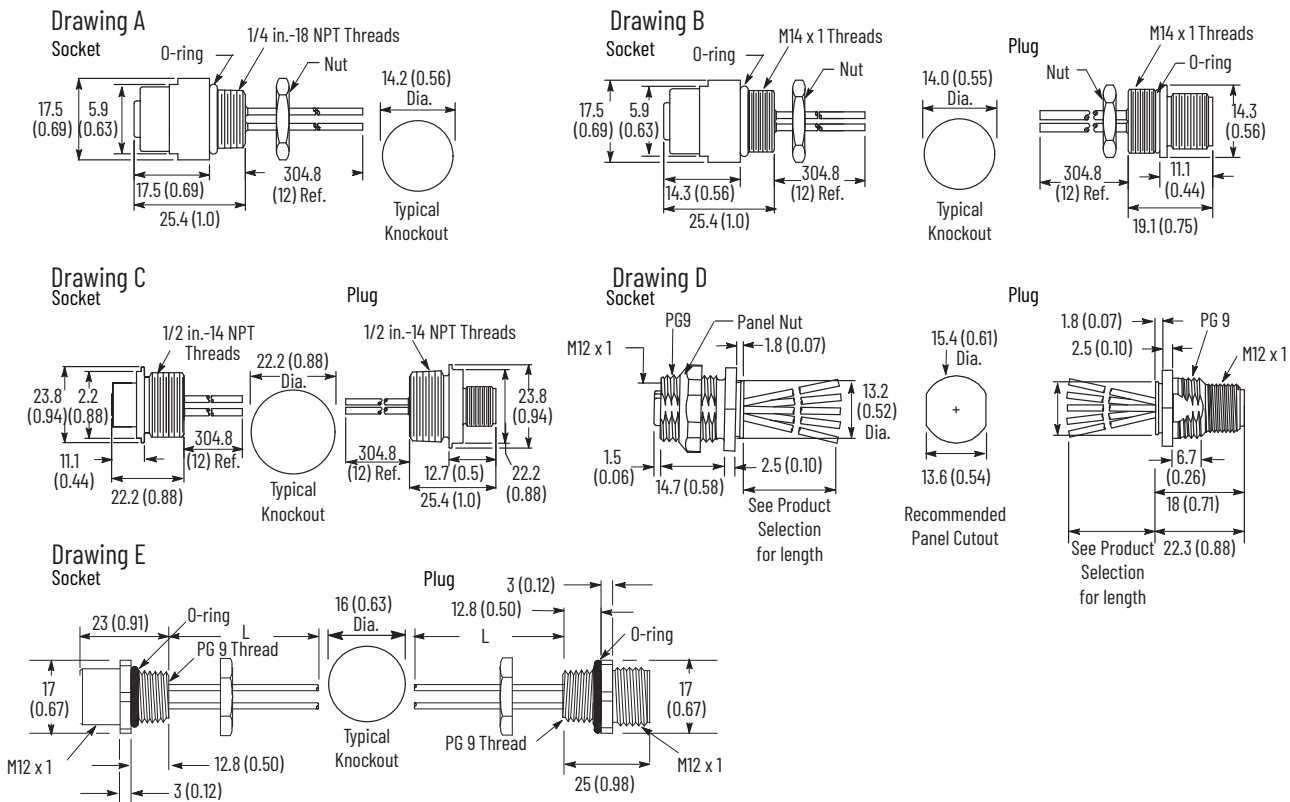
(2) The 1 at the end of the catalog number is for 1 m (3.3 ft) cable length. Replace the 1 with OM3 (0.3 m [1 ft]) for standard cable lengths.

(3) The 1 at the end of the catalog number is for 1 m (3.3 ft) cable length. Replace the 1 with OM5 (0.5 m [1 ft]) for standard cable lengths.

**IMPORTANT** The 1/2-inch NPT mounting threads model mounting nuts and flat sealing washers are sold separately.

### Approximate Dimensions

Dimensions are shown in mm (in.). Dimensions are not intended to be used for manufacturing purposes.



### Pinout and Color Code

Color Code	Face View Pinout							
	3-pin		4-pin		5-pin		8-pin	
A	1 Brown 2 N.C.	3 Blue 4 Black	1 Brown 2 White	3 Blue 4 Black	1 Brown 2 White 3 Blue	4 Black 5 Gray	1 White 2 Brown 3 Green 4 Yellow	5 Gray 6 Pink 7 Blue 8 Red

## DC Micro Style Terminal Chambers



DC Micro Socket

## Specifications

Attribute	Value
<b>Mechanical</b>	
Coupling nut material	Nickel-plated brass
Connector shell material	<ul style="list-style-type: none"> <li>Embedded thermistor models: Nylon</li> <li>All other models: PBT</li> </ul>
Contact material	Gold-plated palladium nickel
Cable diameter, max	18 AWG (0.75 mm <sup>2</sup> )
<b>Electrical</b>	
Assembly rating	<ul style="list-style-type: none"> <li>4- or 5-pin: 250V, 4 A</li> <li>8-pin: 60V, 2 A</li> </ul>
<b>Environmental</b>	
Enclosure type rating	IP67
Operating temperature	-40...+88 °C (-40...+185 °F)

## Product Selection

### Single-cable Model Terminal Chambers

No. of Pins	Cable Jacket Diameter [mm (in.)]	Assembly Rating	Rear Nut Thread Size	Cat. No.			
				Straight Socket	Right-angle Socket	Straight Plug	Right-angle Plug
4-pin	4.0...6.0 (0.16...0.24)	250V, 4 A	PG 7	871A-TS4-D	871A-TR4-D	871A-TS4-DM	871A-TR4-DM
	6.0...8.0 (0.24...0.32)		PG 9	871A-TS4-D1	871A-TR4-D1	871A-TS4-DM1	871A-TR4-DM1
5-pin	4.0...6.0 (0.16...0.24)		PG 7	871A-TS5-D	871A-TR5-D	871A-TS5-DM	871A-TR5-DM
	6.0...8.0 (0.24...0.32)		PG 9	871A-TS5-D1	871A-TR5-D1	871A-TS5-DM1	871A-TR5-DM1
8-pin	6.0...8.0 (0.24...0.32)	60V, 2 A	PG 9	871A-TS8-D1	—	871A-TS8-DM1	—

### Dual-cable Model Terminal Chambers

No. of Pins	Cable Jacket Diameter [mm (in.)]	Assembly Rating	Rear Nut Thread Size	Cat. No.	
				Straight Plug	Right-angle Plug
4-pin	Two cables 2.1...3.0 (0.08...0.12) or 3.5...5.2 (0.14...0.21)	250V, 4 A	PG 9	871A-VS4-DM	871A-VR4-DM
5-pin				871A-VS5-DM	871A-VR5-DM

### Embedded Thermistor Terminal Chambers

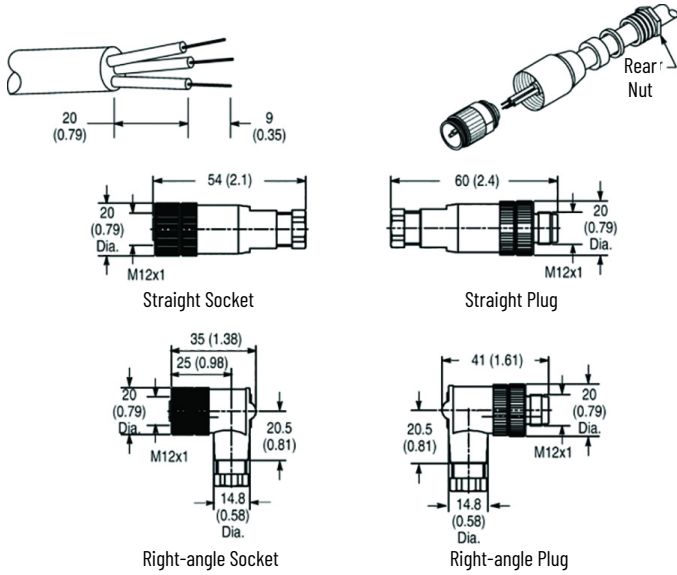
No. of Pins	Cable Jacket Diameter [mm (in.)]	Assembly Rating	Wiring Diagram	Cat. No. <sup>(1)</sup>	
				Straight Plug	Right-angle Plug
4-pin	3.0...6.5 (0.12...0.26)	250V, 4 A		871A-TS4CJC-DM	871A-TR4CJC-DM

(1) The standard for this model is nickel-plated brass coupling nuts and is not available in stainless steel.

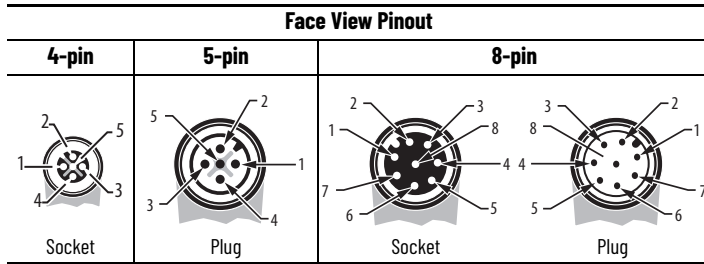
**IMPORTANT** For stainless-steel coupling nuts, add an S to the catalog number (for example, 871AS-TS4-DM).

## Approximate Dimensions

Dimensions are shown in mm (in.). Dimensions are not intended to be used for manufacturing purposes.



## Pinout



## DC Micro Style Field Attachable Insulation Displacement Connector



DC Micro Plug

### Specifications

Attribute	Value
<b>Mechanical</b>	
Coupling nut material	Zinc die-cast
Connector shell material	Zinc die-cast or polyamide
Contact material	Gold-plated palladium nickel
IDC installations, max	10
Cable diameter	<ul style="list-style-type: none"> <li>• 26...22 AWG, 20 AWG: 1.0...1.6 mm (0.039...0.063 in.)</li> <li>• 24...22 AWG, 22...18 AWG: 1.6...2.0 mm (0.063...0.079 in.)</li> </ul>
<b>Electrical</b>	
Assembly rating	<ul style="list-style-type: none"> <li>• 32V, 4 A</li> <li>• 50V, 6 A</li> </ul>
<b>Environmental</b>	
Enclosure type rating	IP67
Operating temperature	-25...+85 °C (-13...+185 °F)
Installation temperature	-5...+50 °C (23...185 °F)

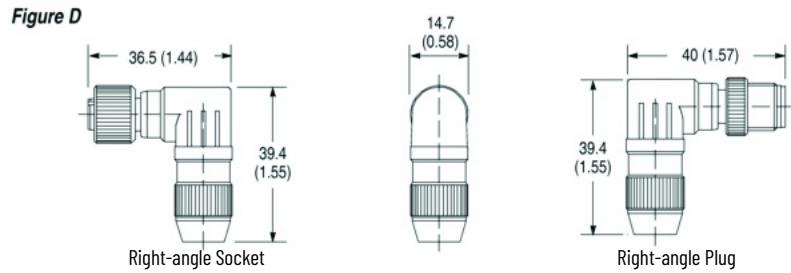
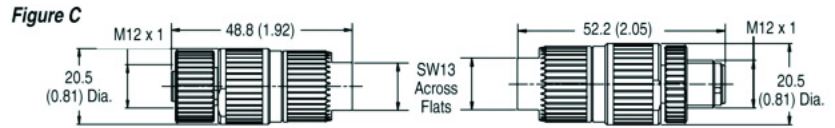
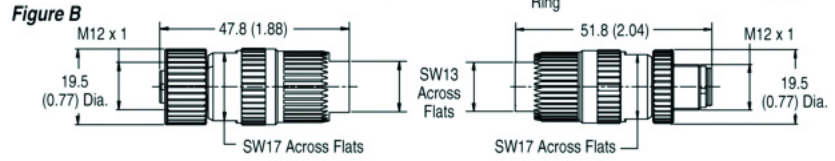
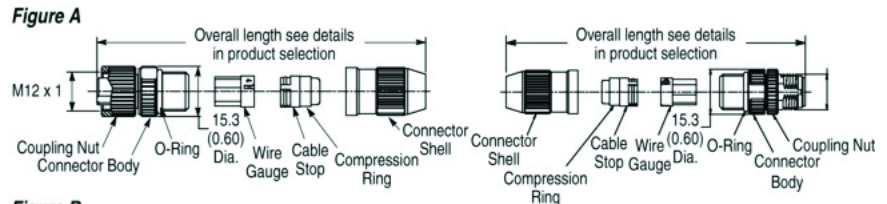
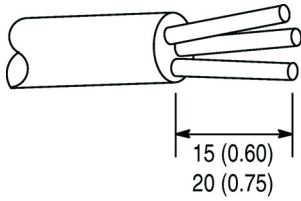
### Product Selection

No. of Pins	Connector Body	Dimension Figures <sup>(1)</sup>	Cable Diameter [mm (in.)]	Wire Size [AWG]	Assembly Rating	Cat. No.			
						Straight Socket	Straight Plug	Right-angle Socket	Right-angle Plug
4-pin	Polyamide Small body unshielded	A and D	4.0...5.1 (0.16...0.20)	26...22	32V 4 A	889D-F4DC-H	889D-M4DC-H	889D-R4DC-H	889D-E4DC-H
	Zinc die-cast Large body shielded	B	7.0...8.8 (0.28...0.35)	24...22	32V 4 A	889D-F4DC-SH	889D-M4DC-SH	—	—
	Polyamide Large body unshielded	C	5.5...8.0 (0.22...0.31)	22...18	50V 6 A	889D-F4CE-H	889D-M4CE-H	—	—
3-pin	Polyamide Small body unshielded	A and D	4.0...5.1 (0.16...0.20)	26...22	32V, 4 A	889D-F3DC-H	889D-M3DC-H	889D-R3DC-H	889D-E3DC-H

(1) See [Approximate Dimensions on page 62](#).

## Approximate Dimensions

Dimensions are shown in mm (in.). Dimensions are not intended to be used for manufacturing purposes.



## Pinout

Face View Pinout	
4-pin	5-pin
<p>Socket</p>	<p>Plug</p>

## DC Micro Style Bulkhead Pass-through



DC Micro Bulkhead Pass-through

### Specifications

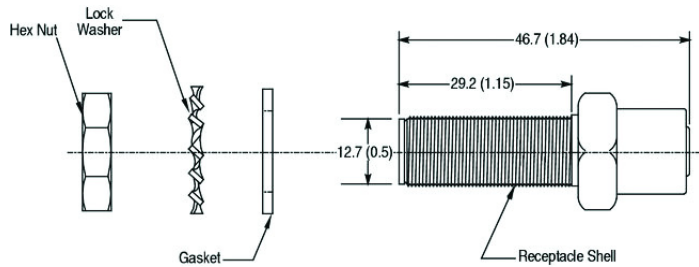
Attribute	Value
Certifications	UL Recognized and CSA Certified
<b>Mechanical</b>	
Shell and locknut material	Nickel-plated brass
Connector insert material	Nylon
Gasket material	Neoprene
Thrust Washer	Steel alloy
Contact material	Gold-plated palladium nickel
Typical knockout	12.7 mm (0.50 in.)
<b>Environmental</b>	
Enclosure type rating	IP67
Operating temperature	-20...+80 °C (-4...+176 °F)

### Product Selection

Face View of Socket	Assembly Rating	Face View of Plug	Cat. No.
	250V, 4 A		1485A-CXR5-D5

### Approximate Dimensions

Dimensions are shown in mm (in.). Dimensions are not intended to be used for manufacturing purposes.



## M12 Power (L-code)

### M12 Power (L-code), 16 AWG, Black PUR



5-pin M12 L-code Cordset

### Specifications

Attribute	Value
Certifications	CE Marked, UKCA Marked, and cULus Listed
<b>Mechanical</b>	
Molded body material/color	TPU/black
Contact carrier socket material/color	PBT GF/gray
Contact material/plating	CuNi/Au
Shield sleeve material	CuZn
Coupling nut material	CuZn/Ni
Gasket material	FKM
Cable Type	UL AWM 20939 style, 16 AWG conductors, 600V
<b>Electrical</b>	
Operating voltage	63V (50V AC/60V DC)
Current rating	16 A
<b>Environmental</b>	
Enclosure type rating	IP67/IP69, NEMA 6P
Temperature rating	-40...+125 °C (-40...+257 °F)

## Product Selection

### Cordsets

No. of Pins	Wire Size [AWG]	Cat. No. <sup>(1)</sup>			
		Straight Socket	Straight Plug	Right-angle Socket	Right-angle Plug
5-pin	16	889L-F5JF-2	889L-M5JF-2	889L-R5JF-2	889L-E5JF-2

(1) The 2 at the end of the catalog number is for 2 m (6.6 ft) cable length. Replace the 2 with 1 (1 m [3.3 ft]), 3 (3 m [9.8 ft]), 4 (4 m [13.1 ft]), 5 (5 m [16.4 ft]), 6 (6 m [19.7 ft]), or 10 (10 m [32.8 ft]) for standard cable lengths.

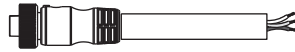
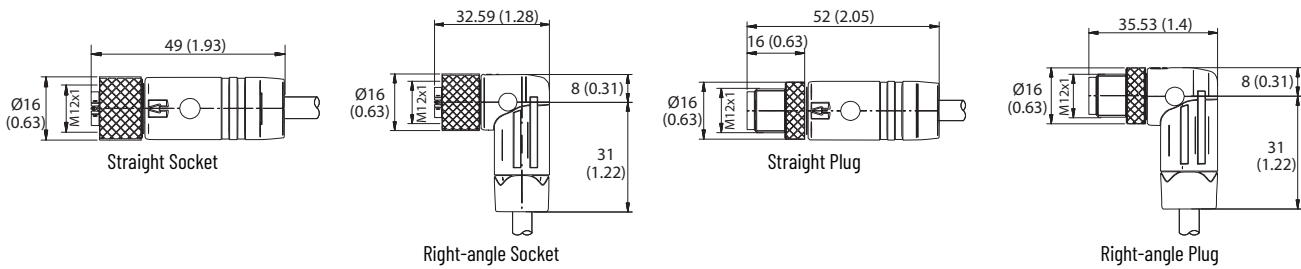
### Patchcords

No. of Pins	Wire Size [AWG]	Cat. No. <sup>(1)</sup>			
		Straight Socket Straight Plug	Straight Socket Right-angle Plug	Right-angle Socket Straight Plug	Right-angle Socket Right-angle Plug
5-pin	16	889L-F5JFLM-2	889L-F5JFLE-2	889L-R5JFLM-2	889L-R5JFLE-2

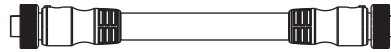
(1) The 2 at the end of the catalog number is for 2 m (6.6 ft) cable length. Replace the 2 with 1 (1 m [3.3 ft]), 3 (3 m [9.8 ft]), 4 (4 m [13.1 ft]), 5 (5 m [16.4 ft]), 6 (6 m [19.7 ft]), or 10 (10 m [32.8 ft]) for standard cable lengths.

## Approximate Dimensions

Dimensions are shown in mm (in.). Dimensions are not intended to be used for manufacturing purposes.



Example of Cordset

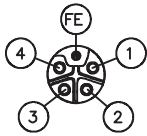


Example of Patchcord

## Pinout

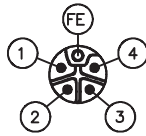
### Face View Pinout

#### 5-pin



Socket

- 1 Brown (+24)
- 2 White (GND UL)
- 3 Blue (GND)
- 4 Black (+24 UL)
- FE Gray



Plug

- 1 Brown (+24)
- 2 White (GND UL)
- 3 Blue (GND)
- 4 Black (+24 UL)
- FE Gray

## M12 Power (L-code) to Mini, 16 AWG, Black PUR



5-pin M12 L-code Patchcord

### Specifications

Attribute	Value
Certifications	CE Marked, UKCA Marked, and cULus Listed
<b>Mechanical</b>	
Molded body material/color	<ul style="list-style-type: none"> <li>M12: TPU/black</li> <li>7/8 in.: TPU/yellow</li> </ul>
Contact carrier socket material/color	<ul style="list-style-type: none"> <li>M12: PBT GF/gray</li> <li>7/8 in.: TPU/yellow</li> </ul>
Contact material/plating	<ul style="list-style-type: none"> <li>M12: CuNi/Au</li> <li>7/8 in.: CuZn/CuAu</li> </ul>
Shield sleeve material	CuZn (M12 only)
Coupling nut material	<ul style="list-style-type: none"> <li>M12: CuZn/Ni</li> <li>7/8 in.: Al/anodized black</li> </ul>
Gasket material	FKM (M12 only)
<b>Electrical</b>	
Operating voltage	63V (50V AC/60V DC)
Current rating	8 A
<b>Environmental</b>	
Enclosure type rating	IP67, NEMA 6P
Temperature rating	-40...+90 °C (-40...+194 °F)

### Product Selection

#### Patchcords

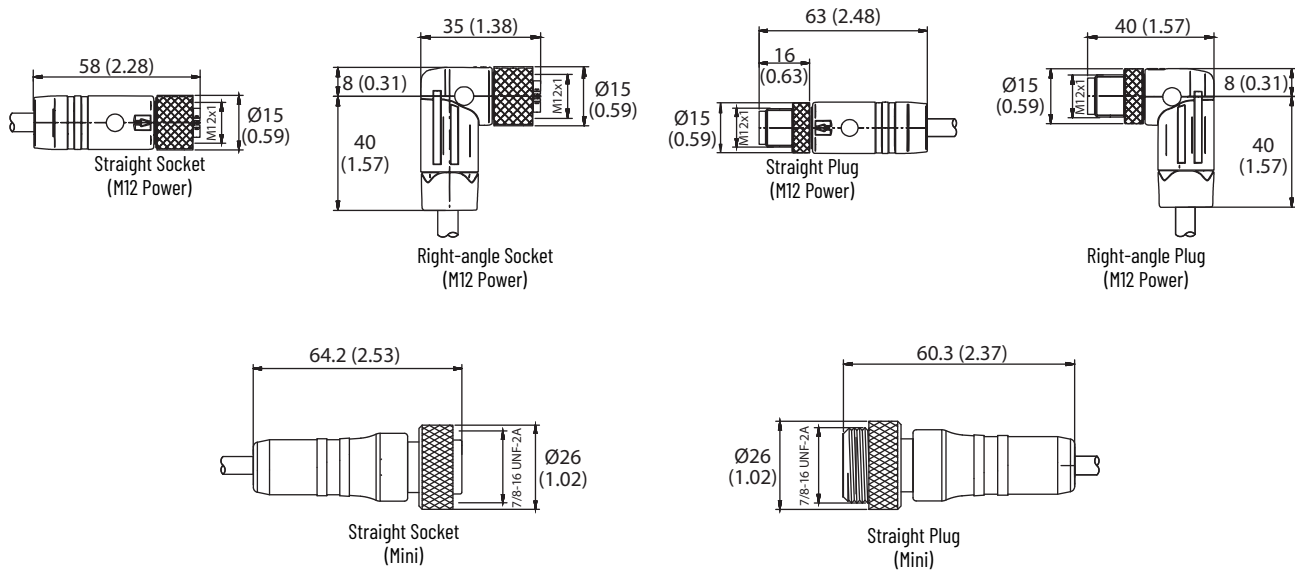
Style: Socket to Plug	Pinout <sup>(1)</sup>	Wire Size [AWG]	Cat. No. <sup>(2)</sup>	
			Straight Socket Straight Plug	Right-angle Socket Straight Plug
M12 power (L-code) to 4-pin mini	A	16	889L-F5JFN4M-2	889L-R5JFN4M-2
Style: Plug to Socket	Pinout <sup>(1)</sup>	Wire Size [AWG]	Cat. No. <sup>(2)</sup>	
			Straight Plug Straight Socket	Right-angle Plug Straight Socket
4-pin mini to M12 power (L-code)	B	16	889N-F4JFL5M-2	889N-F4JFL5E-2

(1) See [Pinout on page 67](#).

(2) The 2 at the end of the catalog number is for 2 m (6.6 ft) cable length. Replace the 2 with 1 (1 m [3.3 ft]), 3 (3 m [9.8 ft]), 4 (4 m [13.1 ft]), 5 (5 m [16.4 ft]), 6 (6 m [19.7 ft]), or 10 (10 m [32.8 ft]) for standard cable lengths.

## Approximate Dimensions

Dimensions are shown in mm (in.). Dimensions are not intended to be used for manufacturing purposes.



## Pinout

Face View Pinout			
A		B	
<p>Plug (Mini)</p>	<p>Socket (M12 Power)</p>	<p>Plug (M12 Power)</p>	<p>Socket (Mini)</p>
1 Black (+24UL) 2 Brown (+24) 3 Blue (GND) 4 White (GND UL)	1 Brown (+24) 2 White (GND UL) 3 Blue (GND) 4 Black (+24UL)	1 Brown (+24) 2 White (GND UL) 3 Blue (GND) 4 Black (+24UL)	1 Black (+24UL) 2 Brown (+24) 3 Blue (GND) 4 White (GND UL)

# AC Micro Style

## AC Micro Style, 18 AWG or 22 AWG, PVC



3-pin AC Micro Cordset

## Specifications

Attribute	Value
Certifications	UL Recognized and CSA Certified
<b>Mechanical</b>	
Coupling nut material	Epoxy-coated zinc
Connector material	Molded oil-resistant polyurethane
Contact material	Gold over nickel-plated brass
Cable type	Oil-resistant yellow PVC jacket, 18 AWG or 22 AWG conductors, 300V
Bend radius	10x diameter
Cable diameter	<ul style="list-style-type: none"> <li>• 3/c (22 AWG) = 6.7 mm (0.26 in.)</li> <li>• 3/c (18 AWG) = 6.7 mm (0.26 in.)</li> <li>• 4/c (18 AWG) = 6.7 mm (0.26 in.)</li> <li>• 4/c (22 AWG) = 6.7 mm (0.26 in.)</li> <li>• 5/c (18 AWG) = 7.5 mm (0.30 in.)</li> <li>• 6/c (22 AWG) = 6.7 mm (0.26 in.)</li> </ul>
Braiding	Shield aluminum mylar stranding 26 x #36 (AWG) (Braided cable models only)
<b>Electrical</b>	
Cable rating	UL AWM style 2661 VW-1 105C 300V, CSA AWM A/B I/II 80C 300V FT1; UV-, oil-, and water-resistant
Assembly rating	250V, 4 A
<b>Environmental</b>	
Enclosure type rating	IP67, IP69K
Temperature rating	-20...+105 °C (-4...+221 °F)

## Product Selection

### Cordsets

No. of Pins	Assembly Rating	Color Code (1)	Cat. No. (2)			
			Straight Socket	Right-angle Socket	Straight Plug	Right-angle Plug
3-pin	Braided 22 AWG, 250V, 4 A	A	889R-F3ECA-2	889R-R3ECA-2	889R-M3ECA-2	889R-E3ECA-2
	18 AWG, 250V, 4 A		889R-F3AEA-2	889R-R3AEA-2	889R-M3AEA-2	889R-E3AEA-2
4-pin	Braided 22 AWG, 250V, 4 A		889R-F4ECA-2	889R-R4ECA-2	889R-M4ECA-2	889R-E4ECA-2
	18 AWG, 250V, 4 A		889R-F4AEA-2	889R-R4AEA-2	889R-M4AEA-2	889R-E4AEA-2
5-pin	Braided 22 AWG, 250V, 4 A		889R-F5ECA-2	889R-R5ECA-2	889R-M5ECA-2	889R-E5ECA-2
	18 AWG, 250V, 4 A		889R-F5AEA-2	889R-R5AEA-2	889R-M5AEA-2	889R-E5AEA-2
6-pin	Braided 22 AWG, 250V, 4 A		889R-F6ECA-2	889R-R6ECA-2	889R-M6ECA-2	889R-E6ECA-2

(1) See [Pinout and Color Code on page 69](#).

(2) The 2 at the end of the catalog number is for 2 m (6.6 ft) cable length. Replace the 2 with 5 (5 m [16.4 ft]) or 10 (10 m [32.8 ft]) for standard cable lengths.

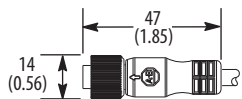
### Patchcords

No. of Pins	Assembly Rating	Color Code (1)	Cat. No. (2)			
			Straight Socket Straight Plug	Straight Socket Right-angle Plug	Right-angle Socket Straight Plug	Right-angle Socket Right-angle Plug
3-pin	Braided 22 AWG, 250V, 4 A	A	889R-F3ECRM-2	889R-F3ECRE-2	889R-R3ECRM-2	889R-R3ECRE-2
	18 AWG, 250V, 4 A		889R-F3AERM-2	889R-F3AERE-2	889R-R3AERM-2	889R-R3AERE-2
4-pin	Braided 22 AWG, 250V, 4 A		889R-F4ECRM-2	889R-F4ECRE-2	889R-R4ECRM-2	889R-R4ECRE-2
	18 AWG, 250V, 4 A		889R-F4AERM-2	889R-F4AERE-2	889R-R4AERM-2	889R-R4AERE-2
5-pin	Braided 22 AWG, 250V, 4 A		889R-F5ECRM-2	889R-F5ECRE-2	889R-R5ECRM-2	889R-R5ECRE-2
	18 AWG, 250V, 4 A		889R-F5AERM-2	889R-F5AERE-2	889R-R5AERM-2	889R-R5AERE-2
6-pin	Braided 22 AWG, 250V, 4 A		889R-F6ECRM-2	889R-F6ECRE-2	889R-R6ECRM-2	889R-R6ECRE-2

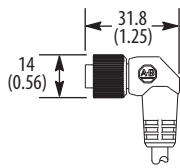
(1) See [Pinout and Color Code on page 69](#).

(2) The 2 at the end of the catalog number is for 2 m (6.6 ft) cable length. Replace the 2 with 5 (5 m [16.4 ft]) or 10 (10 m [32.8 ft]) for standard cable lengths.

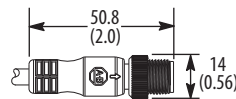
## Approximate Dimensions



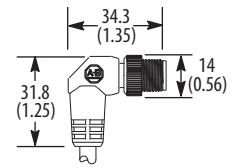
Straight Socket



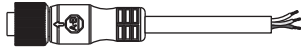
Right-angle Socket



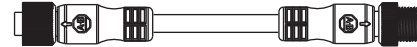
Straight Plug



Right-angle Plug



Example of Cordset



Example of Patchcord

## Pinout and Color Code

Color Code	Face View Pinout							
	3-pin		4-pin		5-pin		6-pin	
	Socket	Plug	Socket	Plug	Socket	Plug	Socket	Plug
A	1 Green (GND) 2 Red/Black Tr. 3 Red/White Tr.	1 Green (GND) 2 Red/Black Tr. 3 Red/White Tr.	1 Red/Black Tr. 2 Red/White Tr.	3 Red 4 Green (GND)	1 Red/White Tr 2 Red 3 Green	4 Red/Yellow Tr. 5 Red/Black Tr.	1 Red/White Tr. 2 Red 3 Green	4 Red/Yellow Tr. 5 Red/Black Tr. 6 Red/Blue Tr.

## AC Micro Style, 18 AWG, ToughWeld



3-pin AC Micro Cordset

### Specifications

Attribute	Value
Certifications	UL Recognized and CSA Certified
<b>Mechanical</b>	
Coupling nut material	Epoxy-coated zinc
Connector material	Molded oil-resistant polyurethane
Contact material	Gold over nickel-plated brass
Cable type	Oil-resistant yellow TPE jacket, 18 AWG stranded copper, cable voltage = 300V
Bend radius	10x diameter
Cable diameter	9 mm (0.35 in.)
<b>Electrical</b>	
Cable rating	UL -50C SJ00W 90C dry and 60C water-resistant, CSA -50C SJ00W 90C FT1
Assembly rating	250V, 3 A
<b>Environmental</b>	
Enclosure type rating	IP67, IP69K
Temperature rating	-50...+105 °C (-58...+221 °F)

## Product Selection

### Cordsets

No. of Pins	Assembly Rating	Material	Color Code <sup>(1)</sup>	Cat. No. <sup>(2)</sup>			
				Straight Socket	Right-angle Socket	Straight Plug	Right-angle Plug
3-pin	18 AWG, 250V, 4 A	ToughWeld	A	889R-F3WEC-2	889R-R3WEC-2	889R-M3WEC-2	889R-E3WEC-2
4-pin	18 AWG, 250V, 4 A	ToughWeld	A	889R-F4WEC-2	889R-R4WEC-2	889R-M4WEC-2	889R-E4WEC-2
5-pin	18 AWG, 250V, 4 A	ToughWeld	A	889R-F5WEC-2	889R-R5WEC-2	889R-M5WEC-2	889R-E5WEC-2
3-pin	18 AWG, 250V, 4 A	ToughLink	A	889R-F3HEA-2	889R-R3HEA-2	889R-M3HEA-2	889R-E3HEA-2
4-pin	18 AWG, 250V, 4 A	ToughLink	A	889R-F4HEA-2	889R-R4HEA-2	889R-M4HEA-2	889R-E4HEA-2

(1) See [Pinout and Color Code on page 71](#).

(2) The 2 at the end of the cat. no. is for 2 m (6.6 ft) cable length. Replace the 2 with 5 (5 m [16.4 ft]) or 10 (10 m [32.8 ft]) for standard cable lengths.

### Patchcords

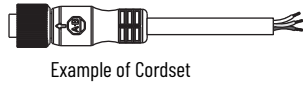
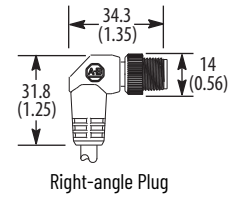
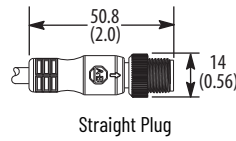
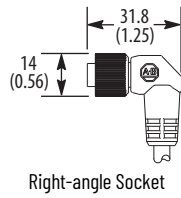
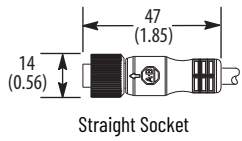
No. of Pins	Assembly Rating	Material	Color Code <sup>(1)</sup>	Cat. No. <sup>(2)</sup>			
				Straight Socket Straight Plug	Straight Socket Right-angle Plug	Right-angle Socket Straight Plug	Right-angle Socket Right-angle Plug
3-pin	18 AWG, 250V, 4 A	ToughWeld	A	889R-F3WERM-3F	889R-F3WERE-3F	889R-R3WERM-3F	889R-R3WERE-3F
4-pin	18 AWG, 250V, 4 A	ToughWeld	A	889R-F4WERM-3F	889R-F4WERE-3F	889R-R4WERM-3F	889R-R4WERE-3F
5-pin	18 AWG, 250V, 4 A	ToughWeld	A	889R-F5WERM-3F	889R-F5WERE-3F	889R-R5WERM-3F	889R-R5WERE-3F
3-pin	18 AWG, 250V, 4 A	ToughLink	A	889R-F3HERM-3F	889R-F3HERE-3F	889R-R3HERM-3F	889R-R3HERE-3F
4-pin	18 AWG, 250V, 4 A	ToughLink	A	889R-F4HERM-3F	889R-F4HERE-3F	889R-R4HERM-3F	889R-R4HERE-3F

(1) See [Pinout and Color Code on page 71](#).

(2) The 2 at the end of the cat. no. is for 2 m (6.6 ft) cable length. Replace the 2 with 5 (5 m [16.4 ft]) or 10 (10 m [32.8 ft]) for standard cable lengths.

## Approximate Dimensions

Dimensions are shown in mm (in.). Dimensions are not intended to be used for manufacturing purposes.



## Pinout and Color Code

Color Code	Face View Pinout
	3-pin
A	1 Green 2 Red/Black Tr. 3 Red/White Tr.

## AC Micro Style, 18 AWG, Yellow PUR and TPE (Flex-rated)



3-pin AC Micro Cordset

### Specifications

Attribute	Value
Certifications	UL Recognized and CSA Certified
<b>Mechanical</b>	
Material	Molding oil-resistant PVC
Contact material	Gold over nickel-plated brass
Cable type	Unshielded Oil-, water-, and UV-resistant
Cable diameter [mm (in.)]	<ul style="list-style-type: none"> <li>• 3/c TPE 6.0 (0.24)</li> <li>• 3/c PUR 6.6 (0.26)</li> <li>• 4/c TPE 6.6 (0.26)</li> <li>• 4/c PUR 6.6 (0.26)</li> <li>• 5/c TPE 7.7 (0.30)</li> <li>• 5/c PUR 7.7 (0.30)</li> </ul>
<b>Electrical</b>	
Cable rating	UL AWM; UV-, oil-, and water-resistant, 18 AWG
Assembly rating	250V, 4 A
<b>Environmental</b>	
Enclosure type rating	IP67, IP69K

## Product Selection

### Cordsets

No. of Pins	Cable Rating	Temperature Rating [°C (°F)]	Jacket Material	Cat. No. <sup>(1)</sup>			
				Straight Socket	Right-angle Socket	Straight Plug	Right-angle Plug
3-pin	Flex rated to 5 million cycles	-20...+80 (-4...+105)	Yellow PUR	889R-F3UEA-2	889R-R3UEA-2	889R-M3UEA-2	889R-E3ECA-2
	Flex rated to 10 million cycles	-50...+105 (-58...+221)	Yellow TPE	889R-F3HJA-2	889R-R3HJA-2	889R-M3HJA-2	889R-E3AEA-2
4-pin	Flex rated to 5 million cycles	-20...+80 (-4...+105)	Yellow PUR	889R-F4UEA-2	889R-R4UEA-2	889R-M4UEA-2	889R-E4ECA-2
	Flex rated to 10 million cycles	-50...+105 (-58...+221)	Yellow TPE	889R-F4HJA-2	889R-R4HJA-2	889R-M4HJA-2	889R-E4AEA-2
5-pin	Flex rated to 5 million cycles	-20...+80 (-4...+105)	Yellow PUR	889R-F5UEA-2	889R-R5UEA-2	889R-M5UEA-2	889R-E5ECA-2
	Flex rated to 10 million cycles	-50...+105 (-58...+221)	Yellow TPE	889R-F5HJA-2	889R-R5HJA-2	889R-M5HJA-2	889R-E5AEA-2

(1) The 2 at the end of the cat. no. is for 2 m (6.6 ft) cable length. Replace the 2 with 5 (5 m [16.4 ft]) or 10 (10 m [32.8 ft]) for standard cable lengths.

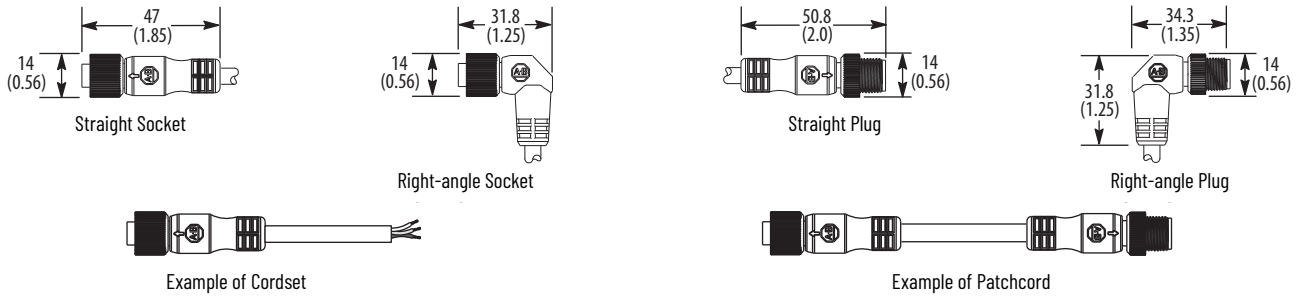
### Patchcords

No. of Pins	Cable Rating	Temperature Rating [°C (°F)]	Jacket Material	Cat. No. <sup>(1)</sup>			
				Straight Socket Straight Plug	Straight Socket Right-angle Plug	Right-angle Socket Straight Plug	Right-angle Socket Right-angle Plug
3-pin	Flex rated to 5 million cycles	-20...+80 (-4...+105)	Yellow PUR	889R-F3UERM-2	889R-R3UERE-2	889R-R3UERM-2	889R-R3UERE-2
	Flex rated to 10 million cycles	-50...+105 (-58...+221)	Yellow TPE	889R-F3HJRM-2	889R-F3HJRE-2	889R-R3HJRM-2	889R-R3HJRE-2
4-pin	Flex rated to 5 million cycles	-20...+80 (-4...+105)	Yellow PUR	889R-F4UERM-2	889R-F4UERE-2	889R-R4HJRM-2	889R-R4UERE-2
	Flex rated to 10 million cycles	-50...+105 (-58...+221)	Yellow TPE	889R-F4HJRM-2	889R-F4HJRE-2	889R-R4HJRM-2	889R-R4HJRE-2
5-pin	Flex rated to 10 million cycles	-50...+105 (-58...+221)	Yellow TPE	889R-F5UERM-2	889R-F5UERE-2	889R-R5HJRM-2	889R-R5UERE-2
	Flex rated to 5 million cycles	-20...+80 (-4...+176)	Yellow PUR	889R-F5HJRM-2	889R-F5HJRE-2	889R-R5HJRM-2	889R-R5HJRE-2

(1) The 2 at the end of the cat. no. is for 2 m (6.6 ft) cable length. Replace the 2 with 0M3 (0.3 m [1 ft]), 1 (1 m [3.3 ft]), 3 (3 m [9.8 ft]), 5 (5 m [16.4 ft]), or 10 (10 m [32.8 ft]) for standard lengths.

## Approximate Dimensions

Dimensions are shown in mm (in.). Dimensions are not intended to be used for manufacturing purposes.



## Pinout and Color Code

Color Code	Face View Pinout							
	3-pin		4-pin		5-pin		6-pin	
	Socket	Plug	Socket	Plug	Socket	Plug	Socket	Plug
A	1 Green (GND) 2 Red/Black Tr. 3 Red/White Tr.	1 Green (GND) 2 Red/Black Tr. 3 Red/White Tr.	1 Red/Black Tr. 2 Red/White Tr.	3 Red 4 Green (GND)	1 Red/White Tr 2 Red 3 Green	4 Red/Yellow Tr. 5 Red/Black Tr.	1 Red/White Tr. 2 Red 3 Green	4 Red/Yellow Tr. 5 Red/Black Tr. 6 Red/Blue Tr.

## AC Micro Style, PLTC, 18 AWG and 22 AWG, Gray PVC



Pin AC Micro Cordset

### Specifications

Attribute	Value
Certifications	UL Recognized and CSA Certified
<b>Mechanical</b>	
Coupling nut material	Epoxy-coated zinc
Housing material	Molded oil-resistant PVC
Contact material	Gold over nickel-plated brass
Cable type	Oil-resistant gray PVC jacket, 18 AWG or 22 AWG conductors, 300V UL Listed and CSA Certified
Bend radius	10x diameter
<b>Electrical</b>	
Cable rating	UL PLTC AWM Style 2661VW-1 105C 300V, CSA AWM A/B 1/11 80C 300V FT1; UV-, oil-, and water-resistant
Assembly rating	250V, 4 A
<b>Environmental</b>	
Enclosure type rating	IP67 and IP69K
Temperature rating	-20...+105 °C (-4...+221 °F)

### Product Selection

#### Cordsets

No. of Pins	Jacket Material	Wire Size [AWG]	Cable diameter [mm (in.)]	Cat. No. <sup>(1)</sup>			
				Straight Socket (Internal Threads)	Right-angle Socket	Straight Plug	Right-angle Plug
3-pin	Gray PVC	18	6.7 (0.26)	889R-F3GEA-2	889R-R3GEA-2	889R-M3GEA-2	889R-E3GEA-2
4-pin	Gray PVC	18	6.7 (0.26)	889R-F4GEA-2	889R-R4GEA-2	889R-M4GEA-2	889R-E4GEA-2
5-pin	Gray PVC	18	7.6 (0.3)	889R-F5GEA-2	889R-R5GEA-2	889R-M5GEA-2	889R-E5GEA-2
6-pin	Gray PVC braided	22	6.7 (0.26)	889R-F6KCA-2	889R-R6KCA-2	889R-M6KCA-2	889R-E6KCA-2

(1) The 2 at the end of the cat. no. is for 2 m (6.6 ft) cable length. Replace the 2 with 5 (5 m [16.4 ft]) or 10 (10 m [32.8 ft]) for standard cable lengths.

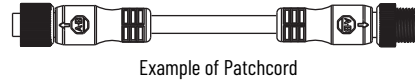
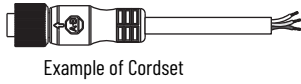
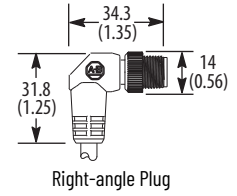
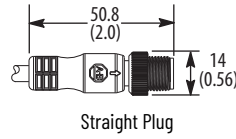
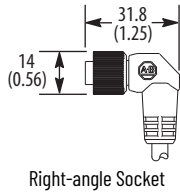
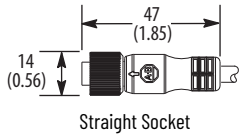
#### Patchcords

No. of Pins	Jacket Material	Wire Size [AWG]	Cable diameter [mm (in.)]	Cat. No. <sup>(1)</sup>			
				Straight Socket Straight Plug	Straight Socket Right-angle Plug	Right-angle Socket Straight Plug	Right-angle Socket Right-angle Plug
3-pin	Gray PVC	18	6.7 (0.26)	889R-F3GERM-2	889R-F3GERE-2	889R-R3GERM-2	889R-R3GERE-2
4-pin	Gray PVC	18	6.7 (0.26)	889R-F4GERM-2	889R-F4GERE-2	889R-R4GERM-2	889R-R4GERE-2
5-pin	Gray PVC	18	7.6 (0.3)	889R-F5GERM-2	889R-F5GERE-2	889R-R5GERM-2	889R-R5GERE-2
6-pin	Gray PVC braided	22	6.7 (0.26)	889R-F6KCRM-2	889R-F6KCRE-2	889R-R6KCRM-2	889R-R6KCRE-2

(1) The 2 at the end of the cat. no. is for 2 m (6.6 ft) cable length. Replace the 2 with 5 (5 m [16.4 ft]) or 10 (10 m [32.8 ft]) for standard cable lengths.

## Approximate Dimensions

Dimensions are shown in mm (in.). Dimensions are not intended to be used for manufacturing purposes.



## Pinout and Color Code

Color Code	Face View Pinout							
	3-pin		4-pin		5-pin		6-pin	
A	1 Green (GND) 2 Red/Black Tr. 3 Red/White Tr.		1 Red/Black Tr. 2 Red/White Tr.	3 Red 4 Green (GND)	1 Red/White Tr 2 Red 3 Green	4 Red/Yellow Tr. 5 Red/Black Tr.	1 Red/White Tr. 2 Red 3 Green	4 Red/Yellow Tr. 5 Red/Black Tr. 6 Red/Blue Tr.

# AC Micro Style, 20 AWG, Coil Cable, PVC



3-pin AC Micro Cordset

## Specifications

Attribute	Value
Certifications	UL Recognized and CSA Certified
<b>Mechanical</b>	
Coupling nut material	Epoxy-coated zinc
Connector material	Molded oil-resistant PVC
Contact material	Gold over nickel-plated brass
Cable type	Oil-resistant yellow PVC jacket, 20 AWG stranded copper, 300V, UL Recognized and CSA Certified
Cable diameter [mm (in.)]	7.1 (0.28)
<b>Electrical</b>	
Cable rating	300V, UL style 20197, CSA AWM 1/11 A/B
Assembly rating	250V, 4 A
<b>Environmental</b>	
Enclosure type rating	IP67
Temperature rating	-20...+105 °C (-4...+221 °F)

## Product Selection

### Cordsets

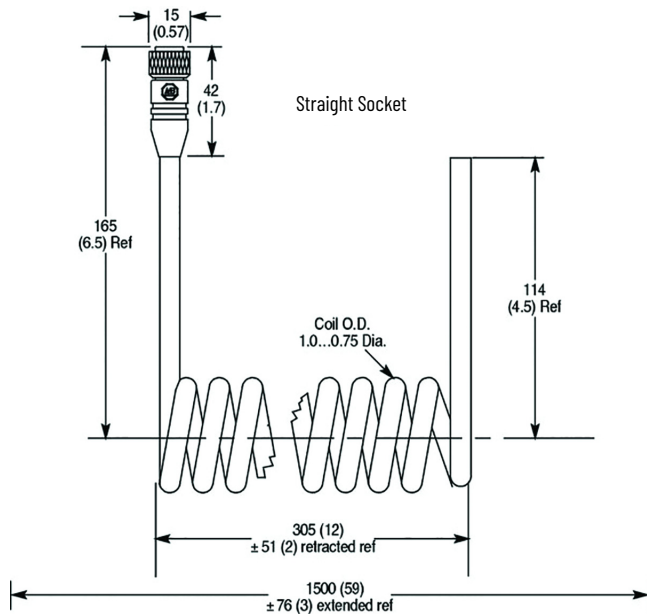
No. of Pins	Assembly Rating	Color Code <sup>(1)</sup>	Length [m (ft)]	Cat. No. <sup>(2)</sup>
				Straight Socket
4-pin	20 AWG 250V 4 A	A	1.5 (5)	889R-F4AD-C5F
		B		889R-F4ADA-C5F

(1) See [Pinout and Color Code](#).

(2) The 2 at the end of the cat. no. is for 2 m (6.6 ft) cable length. Replace the 2 with 5 (5 m [16.4 ft]) or 10 (10 m [32.8 ft]) for standard cable lengths.

## Approximate Dimensions

Dimensions are shown in mm (in.). Dimensions are not intended to be used for manufacturing purposes.



## Pinout and Color Code

Color Code	Face View Pinout	
	4-pin	
	Socket	Plug
A	1 Black 2 Blue	3 Brown 4 White
B	1 Red/Black Tr. 2 Red/White Tr.	3 Red 4 Green (GND)

## AC Micro Style, 18 AWG and 22 AWG, Yellow PVC



3-pin AC Micro

### Specifications

Attribute	Value
Certifications	UL Recognized and CSA Certified
Electrical	
Coupling nut material	Epoxy-coated zinc
Connector material	Molded oil-resistant PVC
Contact material	Gold over nickel-plated brass
Cable rating	Unshielded, oil-, water-, and UV-resistant, AWM, 18 AWG
Assembly rating	250V, 4 A
Environmental	
Enclosure type rating	IP67
Temperature rating	-20...+105 °C (-4...+221 °F)

### Product Selection

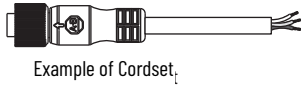
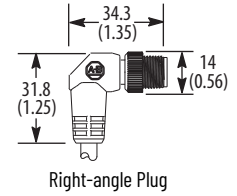
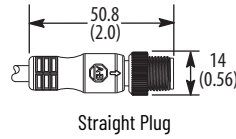
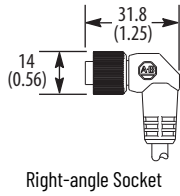
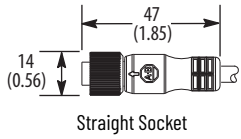
No. of Pins	Connector Style	Color Code <sup>(1)</sup>	Wire Size [AWG]	Cat. No. <sup>(2)</sup>			
				Straight Socket Straight Plug	Straight Socket Right-angle Plug	Right-angle Socket Straight Plug	Right-angle Socket Right-angle Plug
3-pin	3-pin Mini Socket to 3-pin AC Micro Plug	B-A	18	889N-F3AERM-2	889N-F3AERE-2	889N-R3AERM-2	889N-R3AERE-2
	3-pin AC Micro Socket to 3-pin Mini Plug	A-B	18	889R-F3AENM-2	889R-F3AENE-2	889R-R3AENM-2	889R-R3AENE-2
	3-pin AC Micro Socket to 4-pin DC Micro Plug	A-C	18	889R-F3AEDM-2	889R-F3AEDE-2	889R-R3AEDM-2	889R-R3AEDE-2
	3-pin AC Micro Socket to 4-pin DC Micro Plug	C-A	22	889R-F3ACDM-2	889R-F3ACDE-2	889R-R3ACDM-2	889R-R3ACDE-2

(1) See [Pinout and Color Code on page 78](#).

(2) The 2 at the end of the cat. no. is for 2 m (6.6 ft) cable length. Replace the 2 with 5 (5 m [16.4 ft]) or 10 (10 m [32.8 ft]) for standard cable lengths.

## Approximate Dimensions

Dimensions are shown in mm (in.). Dimensions are not intended to be used for manufacturing purposes.



## Pinout and Color Code

Face View Pinout			
No. of Pins	3-pin	3-pin	4-pin
Face View Pinout			
Color Code	A	B	C
	1 Green 2 Red/Black Tr. 3 Red/White Tr.	1 Green 2 Black 3 White	1 Brown 2 – 3 Blue 4 Black

## AC Micro Style, Splitters, MDSA Module Wiring



Splitter, AC Micro

### Specifications

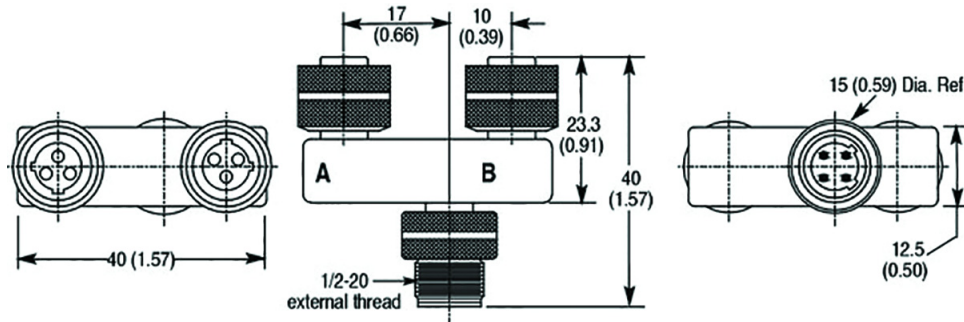
Attribute	Value
Certifications	UL Recognized and CSA Certified
<b>Mechanical</b>	
Material	Black PUR
Connector insert material	PUR
Receptacle shell material	Nickel-plated brass
Contact material	Brass, gold over nickel plating
O-ring Material	Viton
<b>Electrical</b>	
Assembly rating	300V, 3 A
<b>Environmental</b>	
Enclosure type rating	IP67, NEMA 6P
Operating temperature	-30...+105 °C (-22...+221 °F)

### Product Selection

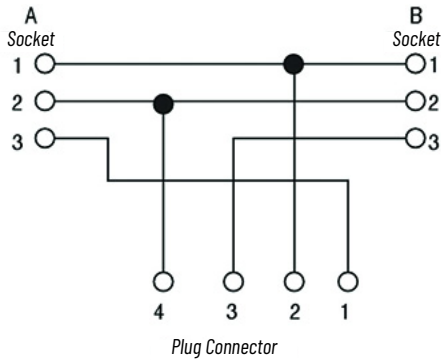
Type	Assembly Rating	Cat. No.
Standard wiring	300V, 3 A	898R-33PYX-R3

### Approximate Dimensions

Dimensions are shown in mm (in.). Dimensions are not intended to be used for manufacturing purposes.



### Wiring Diagram



### Pinout

Face View Pinout		
No. of Pins	3-pin	4-pin
Face View Pinout		

## AC Micro Style Receptacles – 18 AWG and 22 AWG, 1/2 and 1/4 NPT Mounting Threads



AC Micro Plug Receptacle

### Specifications

Attribute	Value
Certifications	UL Recognized and CSA Certified
<b>Mechanical</b>	
Receptacle shell material	Brass with nickel
Connector insert material	Nylon
Contact material	Gold-plated brass
Wire insulation	Oil-resistant PVC, 22 AWG stranded copper, 300V, UL Recognized and CSA Certified
<b>Electrical</b>	
Assembly rating	250V, 4 A
<b>Environmental</b>	
Enclosure type rating	NEMA 1, 3, 4, 6P, and IEC IP67, IP68, IP69K
Operating temperature	-40...+10 °C (-22...+221 °F)

### Mating Components and Accessories

Description	Cat. No. <sup>(1)</sup>
1/2-inch 14 NPT mounting nut	889A-U1NUT-10
1/2-inch 14 NPT flat sealing washer	889A-U1FSL-10

(1) Sold in bags of 10.

## Product Selection

### 22 AWG Receptacles

No. of Pins	Assembly Rating	Color Code <sup>(1)</sup>	Panel Mount Threads	Dimension Drawing <sup>(1)</sup>	Cat. No. <sup>(2)</sup>	
					Socket	Plug
3-pin	250V, 4 A	A	1/2 inch-14 NPT	A	888R-F3AC1-1F	888R-M3AC1-1F
			1/4 inch-18 NPT	B	888R-F3AC2-1F	888R-M3AC2-1F
4-pin			1/2 inch-14 NPT	A	888R-F4AC1-1F	888R-M4AC1-1F
			1/4 inch-18 NPT	B	888R-F4AC2-1F	888R-M4AC2-1F
5-pin			1/2 inch-14 NPT	A	888R-F5AC1-1F	888R-M5AC1-1F
			1/4 inch-18 NPT	B	888R-F5AC2-1F	888R-M5AC2-1F
6-pin			1/2 inch-14 NPT	A	888R-F6AC1-1F	888R-M6AC1-1F
Mounting nuts for 1/2 inch-14 NPT threaded receptacles are available in bags of 10 pieces					889A-U1NUT-10	
Flat, sealing washers for 1/2 inch-14 NPT threaded receptacles are available in bags of 10 pieces					889A-U1FSL-10	

(1) See [Approximate Dimensions](#) and [Pinout and Color Code on page 81](#).

(2) The 1F at the end of the cat. no. is for 1 ft (0.3 m) cable length. Replace the 1F with 3F (3 ft [0.9 m]) for standard lengths.

### 18 AWG Receptacles

No. of Pins	Assembly Rating	Color Code <sup>(1)</sup>	Panel Mount Threads	Dimension Drawing <sup>(1)</sup>	Cat. No. <sup>(2)</sup>			
					Socket	Plug		
3-pin	250V, 4 A	A	1/2 inch-14 NPT	A	888R-F3AE1-1F	888R-M3AE1-1F		
			1/4 inch-18 NPT	B	888R-F3AE2-1F	888R-M3AE2-1F		
4-pin			1/2 inch-14 NPT	A	888R-F4AE1-1F	888R-M4AE1-1F		
			1/4 inch-18 NPT	B	888R-F4AE2-1F	888R-M4AE2-1F		
5-pin			1/2 inch-14 NPT	A	888R-F5AE1-1F	888R-M5AE1-1F		
			1/4 inch-18 NPT	B	888R-F5AE2-1F	888R-M5AE2-1F		
Mounting nuts for 1/2 inch-14 NPT threaded receptacles are available in bags of 10 pieces					889A-U1NUT-10			
Flat, sealing washers for 1/2 inch-14 NPT threaded receptacles are available in bags of 10 pieces					889A-U1FSL-10			

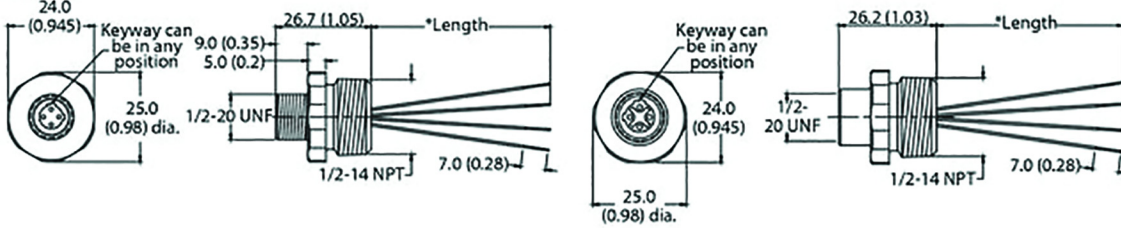
(1) See [Approximate Dimensions](#) and [Pinout and Color Code on page 81](#).

(2) The 1F at the end of the cat. no. is for 1 ft (0.3 m) cable length. Replace the 1F with 3F (3 ft [0.9 m]) for standard lengths.

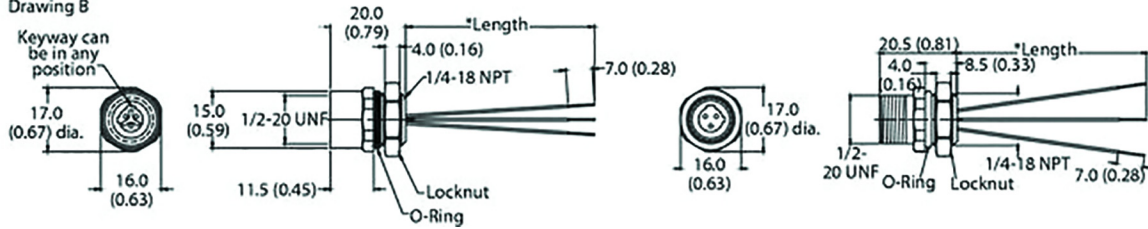
## Approximate Dimensions

Dimensions are shown in mm (in.). Dimensions are not intended to be used for manufacturing purposes.

Drawing A



Drawing B



## Pinout and Color Code

Color Code	Face View Pinout			
	3-pin	4-pin	5-pin	6-pin
	<p>Socket      Plug</p>	<p>Socket      Plug</p>	<p>Socket      Plug</p>	<p>Socket      Plug</p>
A	1 Green 2 Red/Black Tr. 3 Red/White Tr.	1 Red/Black Tr. 2 Red/White Tr.      3 Red 4 Green (GND)	1 Red/White Tr. 2 Red 3 Green (GND)      4 Red/Yellow Tr. 5 Red/Black Tr.	1 Red/White Tr. 2 Red 3 Green      4 Red/Yellow Tr. 5 Red/Black Tr. 6 Red/Blue Tr.

# AC Micro Style, Terminal Chambers, Screw-type Field Attachable Connectors



AC Micro Plug Receptacle

## Specifications

Attribute	Value
<b>Mechanical</b>	
Coupling nut material	Nickel-plated brass
Connector insert material	Nylon
Contact material	Gold-plated palladium/nickel
Wire size, max	18 mm (0.75 in. <sup>2</sup> )
<b>Environmental</b>	
Enclosure type rating	IP67 (IEC 529); NEMA 6P
Operating temperature	-40...+90 °C (-40...+194 °F)

## Product Selection

### Terminal Chambers

Connector Style	Cable Jacket Diameter	Wire Size	Cat. No.	
			Socket	Plug
Straight	4.0...6.0 (0.16...0.23)	18 (0.75 mm <sup>2</sup> )	871A-TS3-R	871A-TS3-RM
Right angle			871A-TR3-R	871A-TR3-RM
Straight	6.0...8.0 (0.23...0.31)	18 (0.75 mm <sup>2</sup> )	871A-TS3-R1	871A-TS3-RM1
Right angle			871A-TR3-R1	871A-TR3-RM1

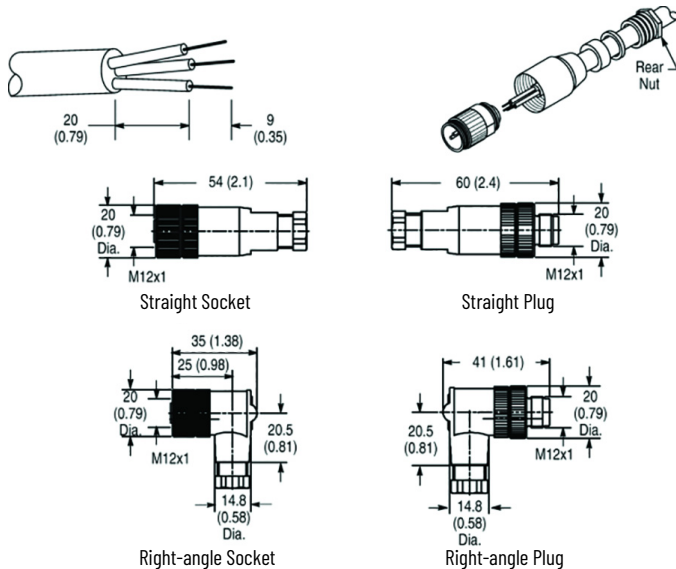
**IMPORTANT** For stainless-steel coupling nuts, add an S to the catalog number (for example, 871AS-TS3-R).

## Pinout and Color Code

Color Code	Face View Pinout	
	3-pin	
	Socket	Plug
A		

## Approximate Dimensions

Dimensions are shown in mm (in.). Dimensions are not intended to be used for manufacturing purposes.



## EAC Micro Style, 22 AWG, Yellow PVC



4-pin EAC Micro Cordset

### Specifications

Attribute	Value
Certifications	UL Recognized and CSA Certified
<b>Mechanical</b>	
Coupling nut material	Epoxy-coated zinc
Connector material	Molded oil-resistant polyurethane body
Contact material	Gold over nickel-plated brass
Cable type	Yellow oil-resistant PVC jacket, 22 AWG conductors, 300V, UL Recognized and CSA Certified
Cable diameter	5 mm (0.21 in.)
<b>Electrical</b>	
Cable rating	300V
Assembly rating	300V, 3 A
<b>Environmental</b>	
Enclosure type rating	IP67
Temperature rating	-40...+90 °C (-40...+194 °F)

### Product Selection

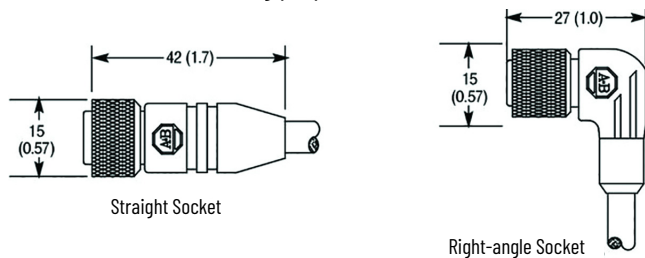
No. of Pins	Wire Size [AWG]	Color Code <sup>(1)</sup>	Cat. No. <sup>(2)</sup>	
			Straight Socket	Right-angle Socket
3-pin	22 AWG 300V 3 A	A	889B-F3AC-2	889B-R3AC-2
4-pin		B	889B-F4AC-2	889B-R4AC-2

(1) See [Pinout and Color Code](#).

(2) The 2 at the end of the catalog number is for 2 m (6.6 ft) cable length. Replace the 2 with 5 (5 m [16.4 ft]) or 10 (10 m [32.8 ft.]) for standard cable lengths.

### Approximate Dimensions

Dimensions are shown in mm (in.). Dimensions are not intended to be used for manufacturing purposes.



### Pinout and Color Code

Color Code	Face View Pinout
	4-pin
	<p>Socket</p>
A	1 Brown 2 Blue 3 — 4 Green/Yellow
B	1 Brown 2 Blue 3 Black 4 Green/Yellow

# EAC Micro Style Receptacles, 22 AWG, M14 Mounting Threads



EAC Micro Plug Receptacle

## Specifications

Attribute	Value
Certifications	UL Recognized and CSA Certified
<b>Mechanical</b>	
Receptacle shell material	Black anodized machined aluminum
Connector insert material	Nylon
Contact material	Machined brass with gold over nickel plating
<b>Electrical</b>	
Assembly rating	300V, 3 A
<b>Environmental</b>	
Enclosure type rating	IP67
Operating temperature	-20...+105 °C (-4...+221 °F)

## Product Selection

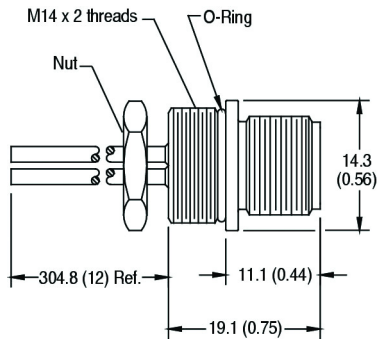
No. of Pins	Assembly Rating	Color Code <sup>(1)</sup>	Panel Mount Threads	Length [m (ft)]	Cat. No. <sup>(2)</sup>
4-pin	22 AWG 300V 3 A	A	M14 x 1	0.3 (1)	888B-M3AC6-0M3
		B			888B-M4AC6-0M3

(1) See [Pinout and Color Code](#).

(2) The 2 at the end of the cat. no. is for 2 m (6.6 ft) cable length. Replace the 2 with 5 (5 m [16.4 ft]) or 10 (10 m [32.8 ft]) for standard cable lengths.

## Approximate Dimensions

Dimensions are shown in mm (in.). Dimensions are not intended to be used for manufacturing purposes.



## Pinout and Color Code

Color Code	Face View Pinout	
	4-pin	
A	1 Brown 2 Blue	3 – 4 Green/Yellow
B	1 Brown 2 Blue	3 Black 4 Green/Yellow

## Pico, 24 AWG, Yellow PVC or PUR, Screw-on, LED and Non-LED



Pico Screw-On Style

### Specifications

Attribute	Value
Certifications	UL Recognized and CSA Certified
<b>Mechanical</b>	
Coupling nut material	Nickel-plated brass
Connector material	Molded oil-resistant PUR
Contact material	Gold over nickel-plated brass
Cable type	Oil-resistant yellow PVC or PUR jacket, 24 AWG conductors, 300V, UL Recognized, CSA Certified
Cable diameter [mm (in.)]	<ul style="list-style-type: none"> <li>3/c = 4.6 (0.18)</li> <li>4/c = 4.6 (0.18)</li> </ul>
<b>Electrical</b>	
Cable rating	<ul style="list-style-type: none"> <li>PVC: UL CM AWM style 2661 VW-1 105C 300V, CSA AWM A/B I/II 105C 300V FT1</li> <li>PUR: UL AWM style 20233 or 20549 80C 300V</li> </ul>
Assembly rating	<ul style="list-style-type: none"> <li>Non-LED: 60V AC/75V DC, 4 A</li> <li>LED: 10...30V DC, 4 A</li> </ul>
<b>Environmental</b>	
Enclosure type rating	<ul style="list-style-type: none"> <li>Screw-type: IP67</li> <li>Snap-on type: IP65</li> </ul>
Temperature rating	<ul style="list-style-type: none"> <li>PVC and TPE models: -20...+105 °C (-4...+221 °F)</li> <li>PUR models: -20...+80 °C (-4...+176 °F)</li> </ul>

## Product Selection

### Screw-on Cordsets

No. of Pins	Jacket Material	Assembly Rating	Color Code <sup>(1)</sup>	LED Type	Cat. No. <sup>(2)</sup>				
					Straight Socket	Right-angle Socket	Straight Plug	Right-angle Plug	
3-pin	Yellow PVC	24 AWG 60V AC/75V DC 4 A	A	-	889P-F3AB-2	889P-R3AB-2	889P-M3AB-2	889P-E3AB-2	
	Yellow PUR				889P-F3UB-2	889P-R3UB-2	-	-	
3-pin LED	Yellow PVC	24 AWG 10...30V DC/4 A		PNP	-	889P-P3AB-2	-	-	
	Yellow PUR				-	889P-P3UB-2	-	-	
	Yellow PVC			NPN	-	889P-N3AB-2	-	-	
	Yellow PUR				-	889P-N3UB-2	-	-	
4-pin	Yellow PVC	24 AWG 60V AC/75V DC 4 A		-	-	889P-F4AB-	889P-R4AB-2	889P-M4AB-2	889P-E4AB-2
	Yellow PUR				889P-F4UB-2	889P-R4UB-2	889P-M4UB-2	889P-E4UB-2	

(1) See [Pinout and Color Code on page 86](#).

(2) The 2 at the end of the cat. no. is for 2 m (6.6 ft) cable length. Replace the 2 with 5 (5 m [16.4 ft]) or 10 (10 m [32.8 ft]) for standard cable lengths.

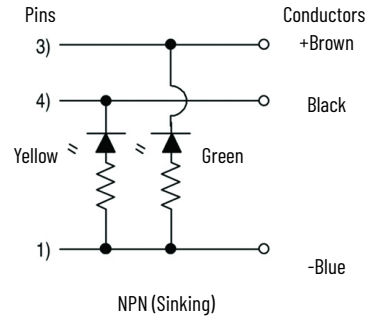
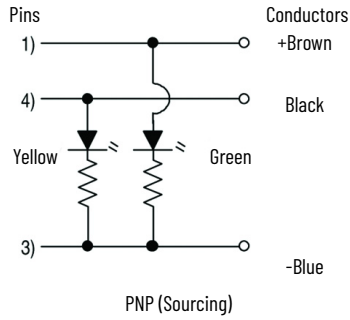
### Screw-on Patchcords

No. of Pins	Jacket Material	Assembly Rating	Color Code <sup>(1)</sup>	Cat. No. <sup>(2)</sup>			
				Straight Socket Straight Plug	Straight Socket Right-angle Plug	Right-angle Socket Straight Plug	Right-angle Socket Right-angle Plug
3-pin	Yellow PVC	24 AWG 60V AC/75V DC 4 A	A	889P-F3ABPM-2	889P-F3ABPE-2	889P-R3ABPM-2	889P-R3ABPE-2
4-pin socket to 3-pin plug				889P-F3UBPM-2	-	889P-R3UBPM-2	-
				889P-F4ABP3M-2	889P-F4ABP3E-2	889P-R4ABP3M-2	889P-R4ABP3E-2
4-pin				889P-F4UBPM3-2	-	-	-
				889P-F4ABPM-2	-	-	-
				889P-F4UBPM-2	-	889P-R4UBPM-2	-

(1) See [Pinout and Color Code on page 86](#).

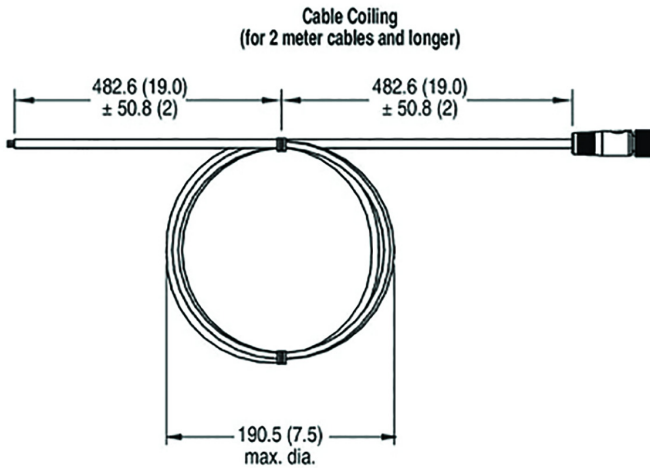
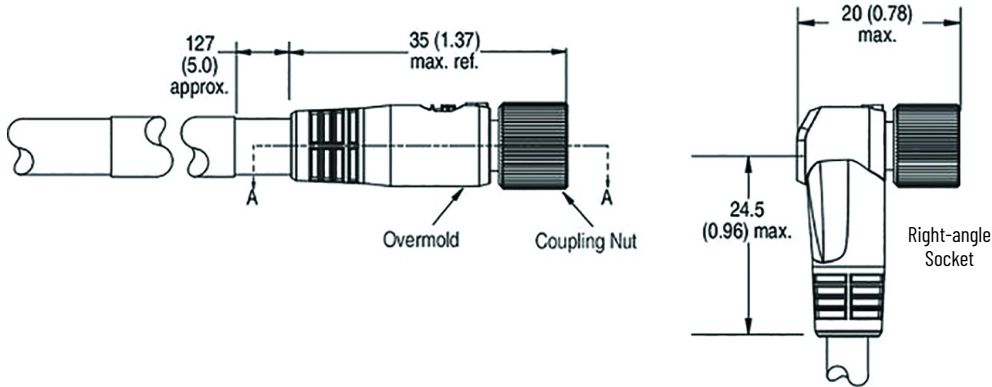
(2) The 2 at the end of the cat. no. is for 2 m (6.6 ft) cable length. Replace the 2 with 1 (1 m [3.3 ft]), 3 (3 m [9.8 ft]), 5 (5 m [16.4 ft]), or 10 (10 m [32.8 ft]) for standard lengths.

## Typical Wiring Diagrams



## Approximate Dimensions

Dimensions are shown in mm (in.). Dimensions are not intended to be used for manufacturing purposes.



## Pinout and Color Code

Color Code	Face View Pinout			
	3-pin		4-pin	
	Socket	Plug	Socket	Plug
A	<p>1 Brown 2 -</p>	<p>3 Blue 4 Black</p>	<p>1 Brown 2 White</p>	<p>3 Blue 4 Black</p>

## Pico QD, 24 AWG, Yellow and Black PVC, TPE, PUR Screw-on



Pico Screw-On Style

### Specifications

Attribute	Value
Certifications	UL Recognized and CSA Certified
<b>Mechanical</b>	
Coupling nut material	Nickel-plated brass
Connector material	Molded oil-resistant PUR
Contact material	Gold over nickel-plated brass
Cable type	Oil-resistant yellow PVC or PUR jacket, 24 AWG conductors, 300V, UL Recognized, CSA Certified
Cable diameter [mm (in.)]	<ul style="list-style-type: none"> <li>3/c = 4.6 (0.18)</li> <li>4/c = 4.6 (0.18)</li> </ul>
<b>Electrical</b>	
Cable rating	<ul style="list-style-type: none"> <li>PVC: CM UL AWM style 2661 VW-1 105C 300V, CSA AWM A/B I/II 105C 300V FT1</li> <li>PUR: UL AWM style 20233 or 20549 80C 300V</li> </ul>
Assembly rating	<ul style="list-style-type: none"> <li>Non-LED: 60V AC/75V DC, 4 A</li> <li>LED: 10...30V DC, 4 A</li> </ul>
<b>Environmental</b>	
Enclosure type rating	<ul style="list-style-type: none"> <li>Screw-type: IP67</li> <li>Snap-on type: IP65</li> </ul>
Temperature rating	<ul style="list-style-type: none"> <li>PVC and TPE models: -20...+105 °C (-4...+221 °F)</li> <li>PUR models: -20...+80 °C (-4...+176 °F)</li> </ul>

## Product Selection

### Screw-on Cordsets

No. of Pins	Jacket Material	Color Code <sup>(1)</sup>	Cat. No. <sup>(2)</sup>			
			Straight Socket	Right-angle Socket	Straight Plug	Right-angle Plug
3-pin	Yellow PVC	A	889P-F3AB-2	889P-R3AB-2	889P-M3AB-2	889P-E3AB-2
4-pin	Yellow PVC	A	889P-F4AB-2	889P-R4AB-2	889P-M4AB-2	889P-E4AB-2

(1) See [Pinout and Color Code on page 89](#).

(2) The 2 at the end of the cat. no. is for 2 m (6.6 ft) cable length. Replace the 2 with 5 (5 m [16.4 ft]) or 10 (10 m [32.8 ft]) for standard cable lengths.

Change AB to:	For:
BB	Black PVC cable
FB	Yellow PVC/foil shield and drain
UB	Yellow PUR, flex cable
JB	Black halogen-free PUR
HB	Yellow TPE flex

### Screw-on Patchcords

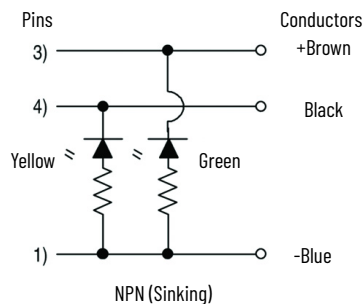
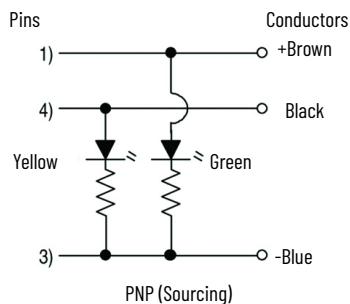
No. of Pins	Jacket Material	Color Code <sup>(1)</sup>	Cat. No. <sup>(2)</sup>			
			Straight Socket to Straight Plug	Straight Socket to Right-angle Plug	Right-angle Socket to Straight Plug	Right-angle Socket to Right-angle Plug
Plug: Pico (3-pin) Socket: Pico (3-pin)	Yellow PVC	A	889P-F3ABPM-2	889P-F3ABPE-2	889P-R3ABPM-2	889P-R3ABPE-2
Plug: Pico (3-pin) Socket: Pico (4-pin)			889P-F4ABP3M-2	889P-F4ABP3E-2	889P-R4ABP3M-2	889P-R4ABP3E-2
Plug: Pico (3-pin) Socket: Micro (4-pin)			889D-F4ABP3M-2	889D-F4ABP3E-2	889D-R4ABP3M-2	889D-R4ABP3E-2
Plug: Pico (3-pin) Socket: Micro (4-pin)			889D-F4ABP3M-V2	889D-F4ABP3E-2	889D-R4ABP3M-V2	889D-R4ABP3E-V2
Plug: Micro (4-pin) Socket: Pico (3-pin)		889P-F3ABD4M-2	889P-F3ABD4E-2	889P-R3ABD4M-2	889P-R3ABD4E-2	
Plug: Pico (4-pin) Socket: Pico (4-pin)		B	889P-F4ABPE-2	889P-F4ABPE-2	889P-R4ABPM-2	889P-R4ABPE-2
Plug: Pico (4-pin) Socket: Micro (4-pin)			889D-F4ABPM-2	889D-F4ABPE-2	889D-R4ABPM-2	889D-R4ABPE-2
Plug: Micro (4-pin) Socket: Pico (4-pin)			889P-F4ABDM-2	889P-F4ABDE-2	889P-R4ABDM-2	889P-R4ABDE-2
Plug: Micro (4-pin) Socket: Pico (4-pin)			889P-F4ABDE-V2	889P-F4ABDE-V2	889P-R4ABDM-V2	889P-R4ABDE-V2

(1) See [Pinout and Color Code on page 89](#).

(2) The 2 at the end of the cat. no. is for 2 m (6.6 ft) cable length. Replace the 2 with 5 (5 m [16.4 ft]) or 10 (10 m [32.8 ft]) for standard cable lengths.

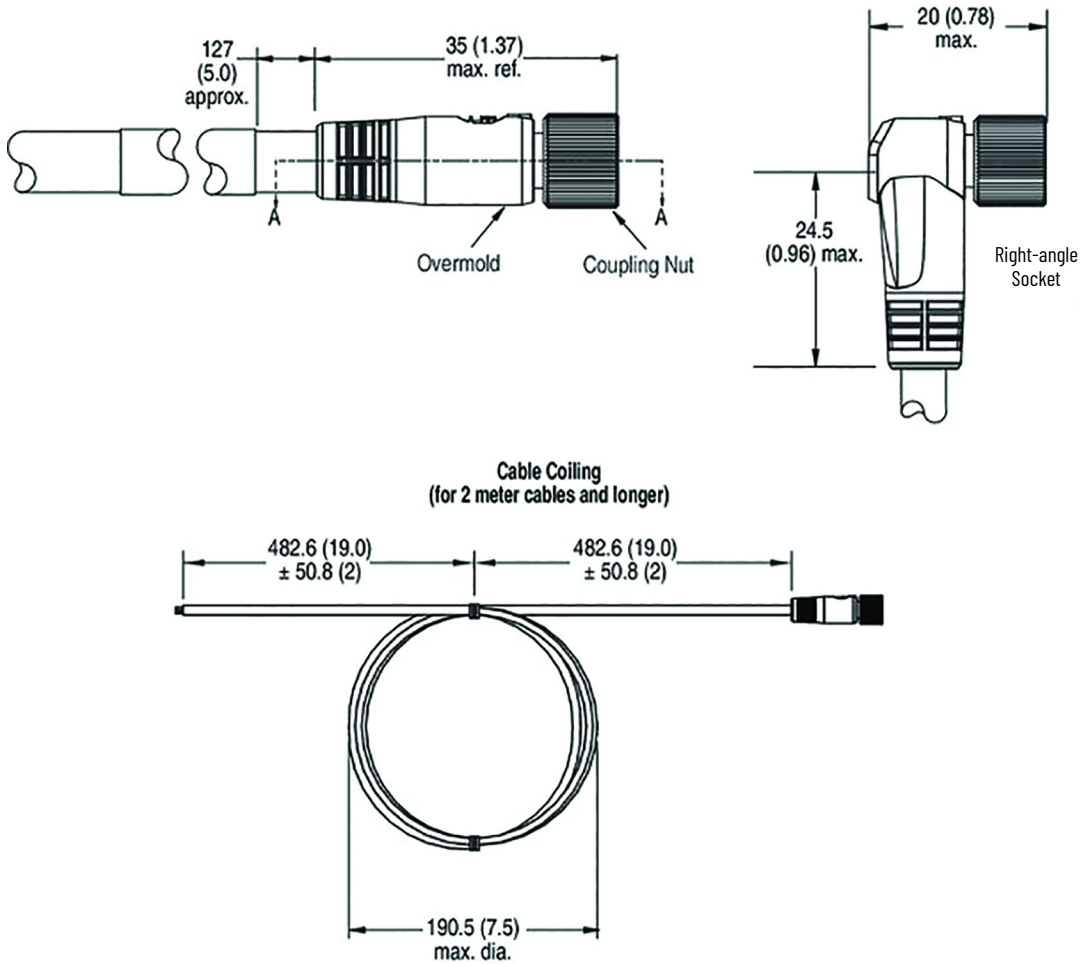
Change AB to:	For:
BB	Black PVC cable
UB	Yellow PUR, flex cable
JB	Black halogen-free PUR
HB	Yellow TPE flex

### Typical Wiring Diagrams





## Approximate Dimensions

Dimensions are shown in mm (in.). Dimensions are not intended to be used for manufacturing purposes.



## Pinout and Color Code

Color Code	Face View Pinout	
	3-pin	4-pin
		
A	1 Brown 2 – 3 Blue 4 Black	–
B	–	1 Brown 2 White 3 Blue 4 Black

## Pico QD 24 AWG, Yellow and Black PUR Snap-on



Pico Snap-on Style

### Specifications

Attribute	Value
Certifications	UL Recognized and CSA Certified
<b>Mechanical</b>	
Coupling nut material	Nickel-plated brass
Connector material	Molded oil-resistant PUR
Contact material	Gold over nickel-plated brass
Cable type	Oil-resistant yellow PUR jacket, 24 AWG conductors, 300V, UL Recognized, CSA Certified
Cable diameter [mm (in.)]	<ul style="list-style-type: none"> <li>3/c = 4.6 (0.18)</li> <li>4/c = 4.6 (0.18)</li> </ul>
<b>Electrical</b>	
Cable rating	UL AWM style 20233 or 20549 80C 300V
Assembly rating	<ul style="list-style-type: none"> <li>Non-LED: 60V AC/75V DC, 4 A</li> <li>LED: 10...30V DC, 4 A</li> </ul>
<b>Environmental</b>	
Enclosure type rating	<ul style="list-style-type: none"> <li>Screw-type: IP67</li> <li>Snap-on type: IP65</li> </ul>
Temperature rating	-20...+80 °C (-4...+176 °F)

### Product Selection

#### Cordsets

No. of Pins	Jacket Material	Assembly Rating	Color Code <sup>(1)</sup>	LED Type	Cat. No. <sup>(2)</sup>	
					Straight Socket	Right-angle Socket
3-pin	Yellow PUR	24 AWG 60V AC/75V DC 4 A	A	—	889P-S3UB-2	889P-Z3UB-2
3-pin LED	Yellow PUR	24 AWG 10...30V DC 4 A		PNP	—	889P-W3UB-2
	Yellow PUR			NPN	—	889P-Y3UB-2
4-pin	Yellow PUR	24 AWG 60V AC/75V DC 4 A		—	889P-S4UB-2	889P-Z4UB-2

(1) See [Pinout and Color Code on page 91](#).

(2) The 2 at the end of the cat. no. is for 2 m (6.6 ft) cable length. Replace the 2 with 5 (5 m [16.4 ft]) or 10 (10 m [32.8 ft]) for standard cable lengths.

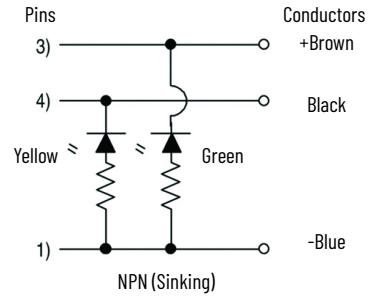
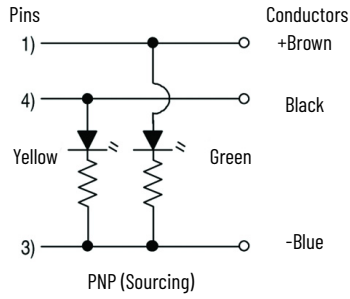
#### Patchcords

No. of Pins	Jacket Material	Color Code <sup>(1)</sup>	Cat. No. <sup>(2)</sup>			
			Straight Socket to Straight Plug	Straight Socket to Right-angle Plug	Right-angle Socket to Straight Plug	Right-angle Socket to Right-angle Plug
Plug: Pico (3-pin) Socket: Pico (3-pin)	Yellow PUR	A	889P-S3UBPG-2	889P-S3UBPH-2	889P-Z3UBPG-2	889P-Z3UBPH-2
Plug: Pico (3-pin) Socket: Pico (4-pin)	Yellow PUR	A	889P-S4UBP3G-2	889P-S4UBP3H-2	889P-Z4UBP3G-2	889P-Z4UBP3H-2
Plug: Pico (4-pin) Socket: Pico (4-pin)	Yellow PUR	A	889P-S4UBPG-2	889P-S4UBPH-2	889P-Z4UBPG-2	889P-Z4UBPH-2

(1) See [Pinout and Color Code on page 91](#).

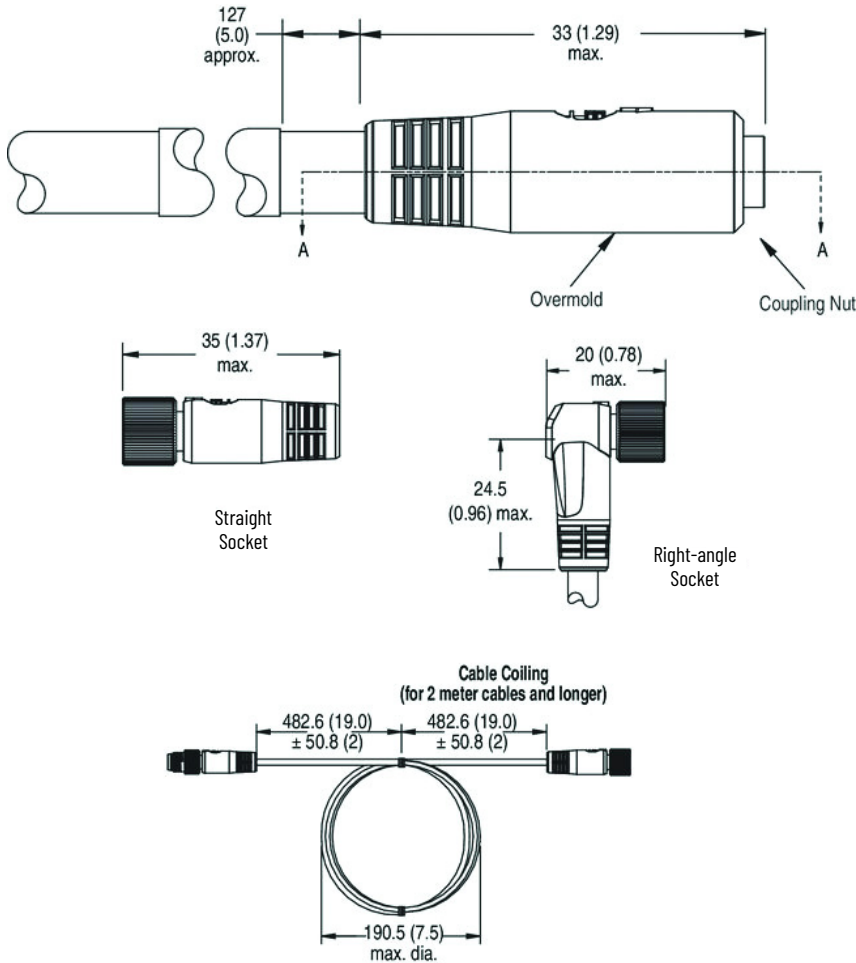
(2) The 2 at the end of the cat. no. is for 2 m (6.6 ft) cable length. Replace the 2 with 5 (5 m [16.4 ft]) or 10 (10 m [32.8 ft]) for standard cable lengths.

## Typical Wiring Diagrams



## Approximate Dimensions

Dimensions are shown in mm (in.). Dimensions are not intended to be used for manufacturing purposes.



## Pinout and Color Code

Color Code	Face View Pinout			
	3-pin		4-pin	
	Socket	Plug	Socket	Plug
A	1 Brown 2 -	3 Blue 4 Black	1 Brown 2 White	3 Blue 4 Black

# Pico QD 24 AWG, Pico LED and Pico to Micro LED, PUR, PVC, TPE



Pico Screw-on Style

## Specifications

Attribute	Value
Certifications	UL Recognized and CSA Certified
<b>Mechanical</b>	
Coupling nut material	Nickel-plated brass
Connector material	Molded, oil-resistant, PUR
Contact material	Gold-plated brass
Cable type	Oil-, water-, and UV-resistant, 24 AWG conductors, 300V, 4 A, AWM
Cable diameter [mm (in.)]	<ul style="list-style-type: none"> <li>• 3/c = 4.6 (0.18)</li> <li>• 4/c = 4.6 (0.18)</li> </ul>
<b>Electrical</b>	
Cable rating	<ul style="list-style-type: none"> <li>• PVC: UL CM AWM style 2661 VW-1 105 °C (221 °F) 300V, CSA AWM A/B I/II 105 °C (221 °F) 300V FT1</li> <li>• PUR: UL AWM style 20233, 21198 or 10493 80 °C (176 °F) 300V FT2</li> <li>• TPE: UL AWM style 20327 VW-1 105 °C (221 °F) 300V FT1</li> </ul>
Assembly rating	<ul style="list-style-type: none"> <li>• Non-LED: 60V AC/75V DC, 4 A</li> <li>• LED: 10...30V DC, 4 A</li> </ul>
<b>Environmental</b>	
Enclosure type rating	<ul style="list-style-type: none"> <li>• Screw-type: IP67</li> <li>• Snap-on type: IP65</li> </ul>
Temperature rating	<ul style="list-style-type: none"> <li>• PVC and TPE models: -20...+105 °C (-4...+221 °F)</li> <li>• PUR models: -20...+80 °C (-4...+176 °F)</li> </ul>

## Product Selection

### Screw-on Cordsets

No. of Pins	Jacket Material	Color Code <sup>(1)</sup>	LED Type	Cat. No. <sup>(2)</sup>	
				Straight Socket	Right-angle Socket
3-pin	Yellow PVC	A	PNP	889P-B3AB-2	889P-P3AB-2
			NPN	889P-A3AB-2	889P-N3AB-2

(1) See [Pinout and Color Code on page 93](#).

(2) The 2 at the end of the cat. no. is for 2 m (6.6 ft) cable length. Replace the 2 with 5 (5 m [16.4 ft]) or 10 (10 m [32.8 ft]) for standard cable lengths.

Change AB to:	For:
BB	Black PVC cable
FB	Yellow PVC, shielded cable
UB	Yellow PUR cable

Change AB to:	For:
JB	Black PUR cable
HB	TPE/ToughLink cable

### Screw-On Patchcords

Socket Connector	Plug Connector	Jacket Material	Color Code <sup>(1)</sup>	Output	Cat. No. <sup>(2)</sup>			
					Straight Socket to Straight Plug	Straight Socket to Right-angle Plug	Right-angle Socket to Straight Plug	Right-angle Socket to Right-angle Plug
3-pin Pico	3-pin Pico	Yellow PVC	A	PNP	889P-B3ABPM-2	889P-B3ABPE-2	889P-P3ABPM-2	889P-P3ABPE-2
				NPN	889P-A3ABPM-2	889P-A3ABPE-2	889P-N3ABPM-2	889P-N3ABPE-2
	4-pin Micro			PNP	889P-B3ABD4M-2	889P-B3ABD4E-2	889P-P3ABD4M-2	889P-P3ABD4E-2
				NPN	889P-A3ABD4M-2	889P-A3ABD4E-2	889P-N3ABD4M-2	889P-N3ABD4E-2
	5-pin Micro	Yellow PVC, Shielded		PNP	889P-B3FBD5M-J2	889P-B3FBD5E-J2	889P-P3FBD5M-J2	889P-P3FBD5E-J2
				NPN	889P-A3FBD5M-J2	889P-A3FBD5E-J2	889P-N3FBD5M-J2	889P-N3FBD5E-J2

(1) See [Pinout and Color Code on page 93](#).

(2) The 2 at the end of the cat. no. is for 2 m (6.6 ft) cable length. Replace the 2 with 5 (5 m [16.4 ft]) or 10 (10 m [32.8 ft]) for standard cable lengths.

Change AB to:	For:
BB	Black PVC cable
UB	Yellow PUR, flex cable

Change AB to:	For:
JB	Black PUR cable
HB	Yellow TPE/ToughLink cable

### Snap-On Cordsets

No. of Pins	Jacket Material	Color Code <sup>(1)</sup>	LED Type	Cat. No. <sup>(2)</sup>	
				Straight Socket	Right-angle Socket
3-pin	Yellow PUR	A	PNP	889P-K3UB-2	889P-W3UB-2
			NPN	889P-J3UB-2	889P-Y3UB-2
	Black PUR		PNP	889P-K3JB-2	889P-W3JB-2
			NPN	889P-J3JB-2	889P-Y3JB-2

(1) See [Pinout and Color Code](#).

(2) The 2 at the end of the cat. no. is for 2 m (6.6 ft) cable length. Replace the 2 with 5 (5 m [16.4 ft]) or 10 (10 m [32.8 ft]) for standard cable lengths.

### Snap-on Patchcords

Socket Connector	Plug Connector	Jacket Material	Color Code <sup>(1)</sup>	Output	Cat. No. <sup>(2) (3)</sup>			
					Straight Socket to Straight Plug	Straight Socket to Right-angle Plug	Right-angle Socket to Straight Plug	Right-angle Socket to Right-angle Plug
3-pin Pico	4-pin Micro	Yellow PUR	A	PNP	889P-K3UBPM-2	889P-K3UBPE-2	889P-W3UBPM-2	889P-W3UBPE-2
				NPN	889P-J3UBPM-2	889P-J3UBPE-2	889P-Y3UBPM-2	889P-Y3UBPE-2
				PNP	889P-K3UBD4M-2	889P-K3UBD4E-2	889P-W3UBD4M-2	889P-W3UBD4E-2
				NPN	889P-Y3UBD4M-2	889P-J3UBD4E-2	889P-Y3UBD4M-2	889P-Y3UBD4E-2
		Black PUR		PNP	889P-K3JBPM-2	889P-K3JBPE-2	889P-W3JBPM-2	889P-W3JBPE-2
				NPN	889P-J3JBPM-2	889P-J3JBPE-2	889P-Y3JBPM-2	889P-Y3JBPE-2
				PNP	889P-K3JBD4M-2	889P-K3JBD4E-2	889P-W3JBD4M-2	889P-W3JBD4E-2
				NPN	889P-J3JBD4M-2	889P-J3JBD4E-2	889P-Y3JBD4M-2	889P-Y3JBD4E-2

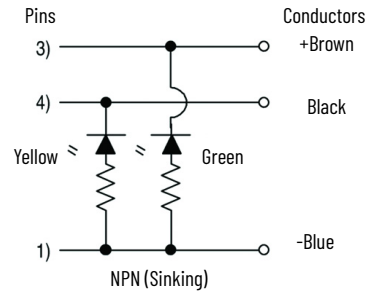
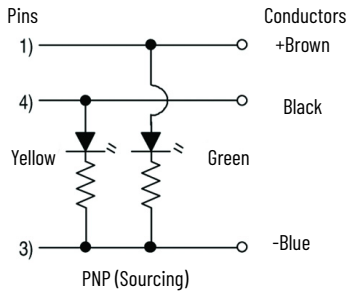
(1) See [Pinout and Color Code](#).

(2) The 2 at the end of the cat. no. is for 2 m (6.6 ft) cable length. Replace the 2 with 5 (5 m [16.4 ft]) or 10 (10 m [32.8 ft]) for standard cable lengths.

(3) Stainless-steel models are available by adding S to the cat. no. (for example, 889PS-PxABDM-2).

Nickel-plated brass models are available by adding N to the cat. no. (for example, 889PN-P3ABDM-2).

### Typical Wiring Diagrams

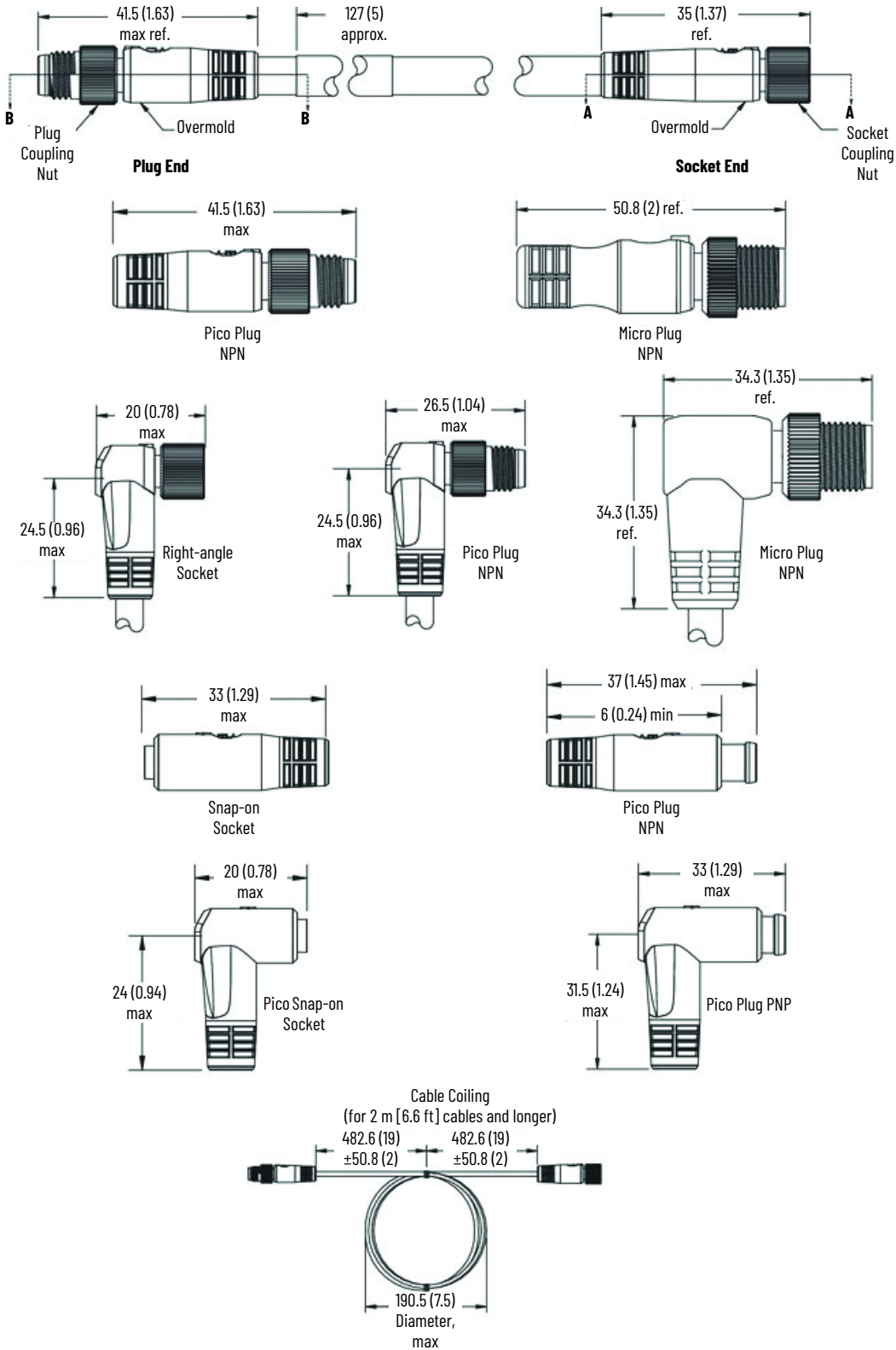


### Pinout and Color Code

Color Code	Face View Pinout			
	3-pin		4-pin	
	Socket	Plug	Socket	Plug
A	1 Brown 2 -	3 Blue 4 Black	1 Brown 2 White	3 Blue 4 Black

## Approximate Dimensions

Dimensions are shown in mm (in.). Dimensions are not intended to be used for manufacturing purposes.



## Patchcords, 24 AWG, Pico to DC Micro, PVC



DC Micro to Pico Patchcord

## Specifications

Attribute	Value
Certifications	UL Recognized and CSA Certified
Mechanical	
Coupling nut material	<ul style="list-style-type: none"> <li>DC Micro: Black epoxy-coated zinc</li> <li>Pico: Nickel-plated brass</li> </ul>
Connector material	<ul style="list-style-type: none"> <li>DC Micro: Molded oil-resistant PUR</li> <li>Pico: Molded oil-resistant TPE</li> </ul>
Contact material	Gold over nickel-plated brass
Cable type	Oil-resistant yellow PVC jacket, 24 AWG conductors, 300V, UL Recognized and CSA Certified
Cable diameter [mm (in.)]	<ul style="list-style-type: none"> <li>3/c = 4.6 (0.18)</li> <li>4/c = 4.6 (0.18)</li> </ul>
Electrical	
Cable rating	UL CM AWM style 2661 VW-1 105C 300V, CSA AWM A/B I/II 105C 300V FT1
Assembly rating	60V AC/75V DC, 4 A
Environmental	
Enclosure type rating	<ul style="list-style-type: none"> <li>Screw-type: IP67</li> <li>Snap-on type: IP65</li> </ul>
Temperature rating	<ul style="list-style-type: none"> <li>PVC and TPE models: -20...+105 °C (-4...+221 °F)</li> <li>PUR models: -20...+80 °C (-4...+176 °F)</li> </ul>

## Product Selection

## Snap-on Socket, Screw-on Plug Patchcords

Style: Socket to Plug	Pinout <sup>(1)</sup>	Cat. No. <sup>(2)</sup>			
		Straight Socket	Right-angle Socket	Straight Plug	Right-angle Plug
Plug: Pico (3-pin) Socket: Pico (3-pin)	A	889P-S3ABPM-2	889P-S3ABPE-2	889P-Z3ABPM-2	889P-Z3ABPE-2
Plug: Pico (3-pin) Socket: Pico (4-pin)	A	889P-S4ABP3M-2	889P-S4ABP3E-2	889P-Z4ABP3M-2	889P-Z4ABP3E-2
Plug: Micro (4-pin) Socket: Pico (3-pin)	A	889P-S3ABD4M-2	889P-S3ABD4E-2	889P-Z3ABD4M-2	889P-Z3ABD4E-2
Plug: Pico (4-pin) Socket: Pico (4-pin)	B	889P-S4ABPM-2	889P-S4ABPE-2	889P-Z4ABPM-2	889P-Z4ABPE-2
Plug: Micro (4-pin) Socket: Pico (4-pin)	B	889P-S4ABDM-2	889P-S4ABDE-2	889P-Z4ABDM-2	889P-Z4ABDE-2
Plug: Micro (4-pin) Socket: Pico (4-pin)	B	889P-S4ABDM-V2	889P-S4ABDE-V2	889P-Z4ABDM-V2	889P-Z4ABDE-V2

(1) See [Pinout on page 96](#).

(2) The 2 at the end of the cat. no. is for 2 m (6.6 ft) cable length. Replace the 2 with 1 (1 m [3.3 ft]), 5 (5 m [16.4 ft]), or 10 (10 m [32.8 ft]) for standard lengths.

Change AB to:	For:
AB	Yellow PVC cable
BB	Black PVC cable
UB	Yellow PUR, flex cable
JB	Black halogen-free PUR cable
HB	Yellow TPE flex cable

### Screw-On Patchcords

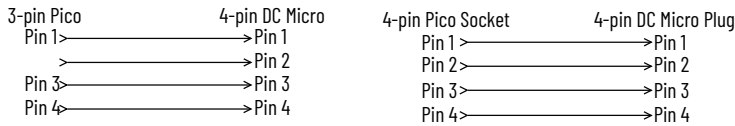
Style: Socket to Plug	Pinout (1)	Cat. No. (2)			
		Straight Socket Straight Plug	Straight Socket Right-angle Plug	Right-angle Socket Straight Plug	Right-angle Socket Right-angle Plug
3-pin Pico to 4-pin Micro	A	889P-F3ABD4M-2	889P-F3ABD4E-2	889P-R3ABD4M-2	889P-R3ABD4E-2
4-pin Pico to 4-pin Micro	B	889P-F4ABDM-2	889P-F4ABDE-2	—	—
4-pin Micro to 3-pin Pico	C	889D-F4ABP3M-2	889D-F4ABP3E-2	889D-R4ABP3M-2	889D-R4ABP3E-2
Plug: Pico (3-pin) Socket: Pico (3-pin)	A	889P-F3ABPG-2	889P-F3ABPH-2	889P-R3ABPG-2	889P-R3ABPH-2
Plug: Pico (3-pin) Socket: Pico (4-pin)	B	889P-F4ABP3G-2	889P-F4ABP3H-2	889P-R4ABP3G-2	889P-R4ABP3H-2
Plug: Micro (4-pin) Socket: Pico (3-pin)	C	889D-F4ABP3G-2	889D-F4ABP3H-2	889D-R4ABP3G-2	889D-R4ABP3H-2
Plug: Pico (3-pin) Socket: Pico (4-pin)	A	889P-F4ABP3G-2	889D-F4ABP3H-V2	889D-R4ABP3G-V2	889D-R4ABP3H-V2
Plug: Micro (4-pin) Socket: Pico (4-pin)	B	889P-F4ABPG-2	889P-F4ABPH-2	889P-R4ABPG-2	889P-R4ABPH-2
Plug: Micro (4-pin) Socket: Pico (4-pin)	C	889D-F4ABPG-2	889D-F4ABPH-2	889D-R4ABPG-2	889D-R4ABPH-2

(1) See [Pinout](#).

(2) The 2 at the end of the cat. no. is for 2 m (6.6 ft) cable length. Replace the 2 with 1 (1 m [3.3 ft]), 5 (5 m [16.4 ft]), or 10 (10 m [32.8 ft]) for standard lengths.

Change AB to:	For:
AB	Yellow PVC cable
BB	Black PVC cable
UB	Yellow PUR, flex cable
JB	Black halogen-free PUR cable
HB	Yellow TPE flex cable

### Typical Wiring Diagrams



### Pinout

Pinout	Face View Pinout		
	A	B	C
	<p>Socket                      Plug</p>	<p>Socket                      Plug</p>	<p>Socket                      Plug</p>
	3-pin Pico socket to 4-pin DC Micro plug	4-pin Pico socket to 4-pin DC Micro plug	4-pin DC Micro socket to 3-pin Pico plug

## V-cables, 24 AWG, Pico to DC Micro, PVC or PUR, LED and Non-LED



Pico V-cables

### Specifications

Attribute	Value
Certifications	UL Recognized and CSA Certified
<b>Mechanical</b>	
Coupling nut material	<ul style="list-style-type: none"> <li>Pico: Nickel-plated brass</li> <li>DC Micro: Epoxy-coated zinc</li> </ul>
Connector material	Molded TPE
Contact material	Gold over nickel-plated brass
Cable type	Oil-resistant yellow PVC jacket, 24 AWG conductors, 300V, UL Recognized, CSA Certified
Bend radius	10 x diameter
Cable diameter [mm (in.)]	<ul style="list-style-type: none"> <li>3/c = 4.3 (0.17)</li> <li>4/c = 4.6 (0.18)</li> </ul>
<b>Electrical</b>	
Cable rating	UL CM AWM style 2661 VW-1 105C 300V, CSA AWM A/B I/II 105C 300V FT1
Assembly rating	<ul style="list-style-type: none"> <li>Non-LED: 60V AC/75V DC, 4 A</li> <li>LED: 10...30V DC, 4 A</li> </ul>
<b>Environmental</b>	
Enclosure type rating	IP67
Temperature rating	<ul style="list-style-type: none"> <li>PVC models: -20...+105 °C (-4...+221 °F)</li> <li>PUR models: -20...+80 °C (-4...+176 °F)</li> </ul>

### Product Selection

#### Screw-On V-Cables

Socket Connector	Jacket Material	Plug Connector	LED Type	Pinout <sup>(1)</sup>	Cat. No. <sup>(2)</sup>	
					Straight Socket Connector	Right-angle Socket Connector
3-pin Pico	Yellow PVC	4-pin DC Micro	—	A	879P-F3ABD4M-2	879P-R3ABD4M-2
	PUR		—		879P-F3UBD4M-2	879P-R3UBD4M-2
4-pin Pico	Yellow PVC		—	B	879P-F4ABDM-2	—
3-pin Pico LED	PVC		PNP	A	—	879P-P3ABD4M-2
	PVC		NPN		—	879P-N3ABD4M-2
	PUR		PNP		—	879P-P3UBD4M-2
	PUR	NPN	—		879P-N3UBD4M-2	

(1) See [Pinout on page 98](#).

(2) The 2 at the end of the cat. no. is for 2 m (6.6 ft) cable length. Replace the 2 with 0M3 (0.3 m [1 ft]), 1 (1 m [3.3 ft]), 5 (5 m [16.4 ft]), or 10 (10 m [32.8 ft]) for standard lengths.

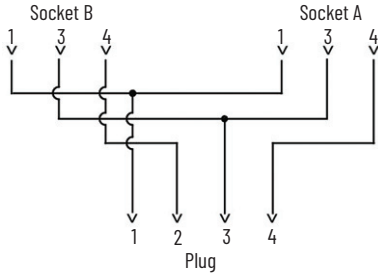
#### Snap-On Socket, Screw-On Plug V-Cables

No. of Pins	Wire Size [AWG]	Jacket Material	LED Type	Cat. No. <sup>(1)</sup>
3-pin	24	Yellow PVC	—	879P-S3UBD4M-2
			—	879P-Z3UBD4M-2
			PNP	879P-K3UBD4M-2
			PNP	879P-W3UBD4M-2
			NPN	879P-J3UBD4M-2
			NPN	879P-Y3UBD4M-2
4-pin	24	Yellow PVC	—	879P-S4UBDM-2
			—	879P-Z4UBDM-2

(1) The 2 at the end of the cat. no. is for 2 m (6.6 ft) cable length. Replace the 2 with 0M3 (0.3 m [1 ft]), 1 (1 m [3.3 ft]), 5 (5 m [16.4 ft]), or 10 (10 m [32.8 ft]) for standard lengths.

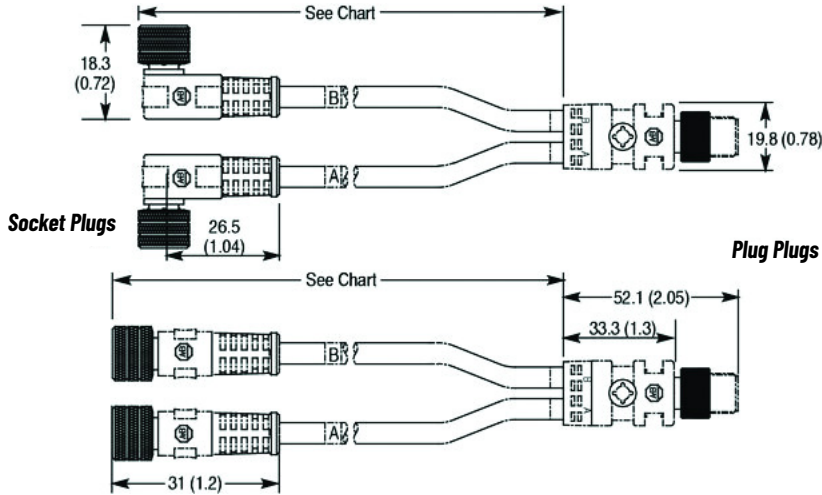
Change UB to:	For:
JB	24 AWG black halogen-free PUR cable

## Typical Wiring Diagrams



## Approximate Dimensions

Dimensions are shown in mm (in.). Dimensions are not intended to be used for manufacturing purposes.



## Pinout

	Face View Pinout					
	A		B		C	
Pinout						
	3-pin Pico socket to 4-pin DC Micro plug			4-pin Pico socket to 4-pin DC Micro plug		

## Splitters, Pico Style Pico to Pico, DC Micro to Pico



Splitter

### Specifications

Attribute	Value
Certifications	UL Recognized and CSA Certified
Mechanical	
Material	Black PUR
Connector insert material	PUR
Receptacle shell material	Nickel-plated brass
Contact material	Gold-plated palladium/nickel
O-ring material	Viton
Electrical	
Assembly rating	60V AC/75V DC, 4 A
Environmental	
Enclosure type rating	IP67; NEMA 6P
Operating temperature	-0...+85 °C (-32...+185 °F)

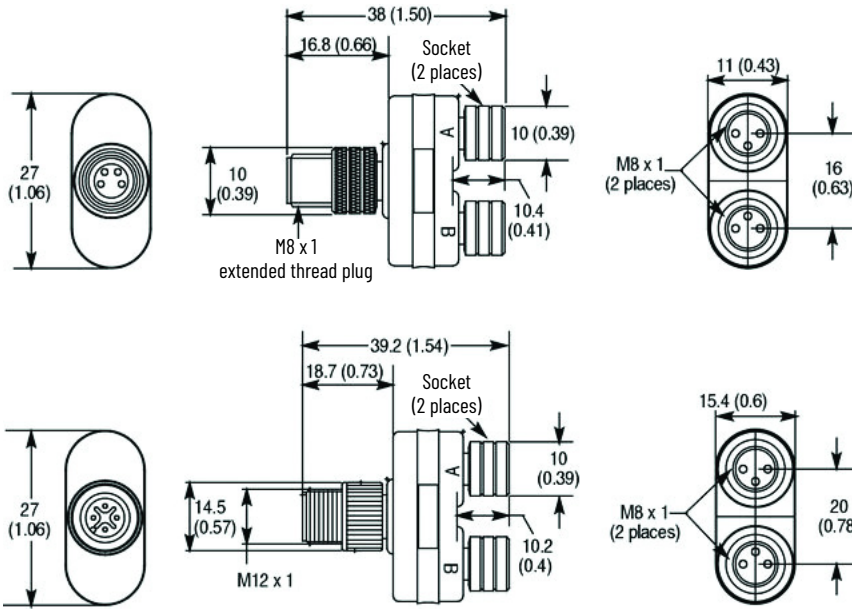
### Product Selection

Connector Style	Wiring Diagram	Assembly Rating	Pinout <sup>(1)</sup>	Cat. No.
Standard wiring Pico to Pico		60V AC/75V DC, 4 A	A	898P-32YY-PM4
Standard wiring Pico to DC Micro			B	898P-32YY-DM4

(1) See [Pinout on page 100](#).

## Approximate Dimensions

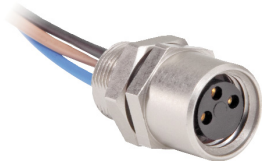
Dimensions are shown in mm (in.). Dimensions are not intended to be used for manufacturing purposes.



## Pinout

	Face View Pinout		
	A	B	C
Pinout	<p>Socket Socket Plug</p>	<p>Plug Socket</p>	<p>Socket Plug</p>
	3-pin Pico socket to 4-pin Pico plug		3-pin Pico socket to 4-pin DC Micro plug

## Receptacles, Pico Style 24 AWG, M8 Mounting Threads



Pico Receptacles

### Specifications

Attribute	Value
Certifications	UL Recognized and CSA Certified
<b>Mechanical</b>	
Receptacle shell material	Nickel-plated brass
Connector insert material	Nylon
Contact material	Gold over nickel-plated brass
<b>Electrical</b>	
Assembly rating	125V AC/DC, 4.0 A
<b>Environmental</b>	
Enclosure type rating	NEMA 1, 3, 4, 6P and IEC IP67, IP68, IP69K
Operating temperature	-40...+105 °C (-22...+221 °F)
O-ring material	Nitrile rubber or Viton

### Product Selection

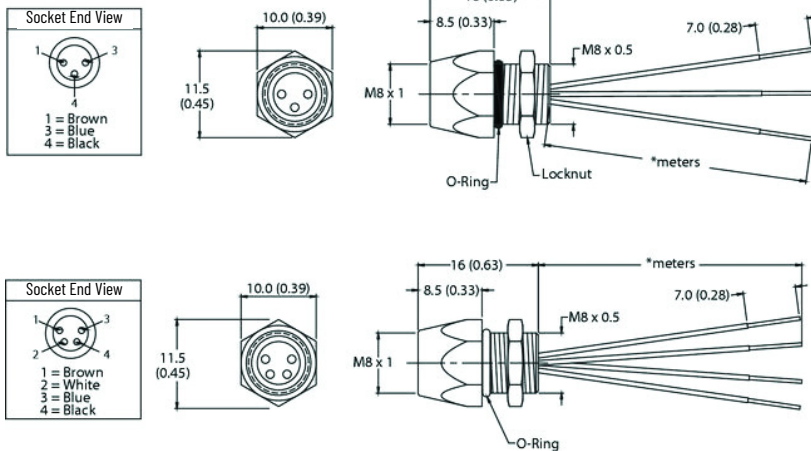
No. of Pins	Assembly Rating	Color Code <sup>(1)</sup>	Panel Mount Threads	Cat. No. <sup>(2)</sup>	
				Socket	Plug
3-pin	125V AC/DC, 4.0 A	A	M8 x 0.5	888P-F3AB4-1	888P-M3AB4-1
4-pin				888P-F4AB4-1	888P-M4AB4-1

(1) See [Pinout and Color Code](#).

(2) The 1 at the end of the cat. no. is for 1 m (3.3 ft) cable length. Replace the 1 with 0M3 (0.3 m [1 ft]) for standard lengths.

### Approximate Dimensions

Dimensions are shown in mm (in.). Dimensions are not intended to be used for manufacturing purposes.



### Pinout and Color Code

Color Code	Face View Pinout			
	3-pin		4-pin	
	Socket	Plug	Socket	Plug
A	 1 Brown 2 –	 3 Blue 4 Black	 1 Brown 2 White	 3 Blue 4 Black

# Terminal Chambers – Pico Style



3-pin Pico Socket

## Specifications

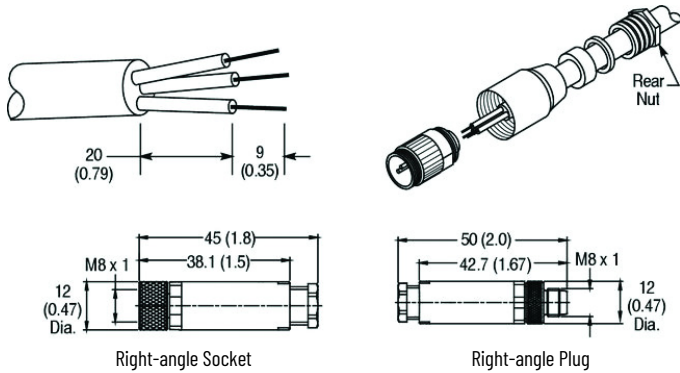
Attribute	Value
Certifications	UL Recognized and CSA Certified
<b>Mechanical</b>	
Coupling nut material	Nickel-plated brass
Connector shell material	PBT
Contact material	Gold-plated palladium nickel
Cable type, max	20 AWG (0.5 mm <sup>2</sup> )
<b>Electrical</b>	
Assembly rating	3- or 4-pin: 60V, 4 A
<b>Environmental</b>	
Enclosure type rating	IP67
Operating temperature	-40...+88 °C (-40...+185 °F)

## Product Selection

No. of Pins	Cable Jacket Diameter [mm (in.)]	Assembly Rating	Rear Nut Thread Size	Cat. No.	
				Straight Socket	Straight Plug
3-pin	3.5...5.0 (0.14...0.20)	60V, 4 A	PG 7	871A-TS3-P	871A-TS3-PM
4-pin				871A-TS4-P	871A-TS4-PM

## Approximate Dimensions

Dimensions are shown in mm (in.). Dimensions are not intended to be used for manufacturing purposes.



## Pinout and Color Code

Color Code	Face View Pinout			
	3-pin		4-pin	
	Socket	Plug	Socket	Plug
A	1 Brown 2 –	3 Blue 4 Black	1 Brown 2 White	3 Blue 4 Black

## Insulated Displacement Connector



Pico-style Plug

### Specifications

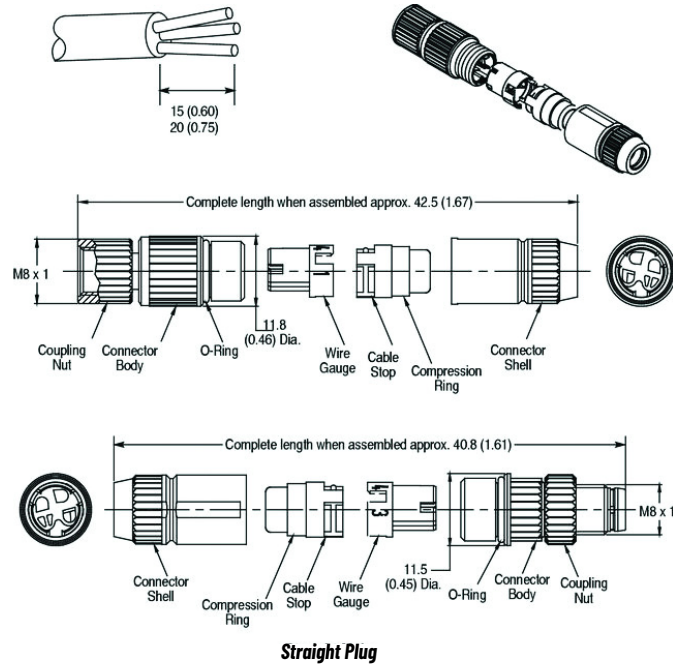
Attribute	Value
<b>Mechanical</b>	
Coupling nut material	Nickel-plated brass
Connector shell material	Nickel-plated brass
Connector material	Hytrel Htr 8068
Field contact material	Gold-plated palladium nickel
IDC installations, max	10
Cable diameter	1.0...1.6 mm (0.04...0.063 in.)
Wire size	22...26 AWG (min individual strand size = 38 AWG)
<b>Environmental</b>	
Enclosure type rating	IP67; NEMA 6P
Operating temperature	-25...+85 °C (-13...+185 °F)
Installation temperature	-5...+50 °C (23...122 °F)

### Product Selection

Connector Style	Cable Jacket Diameter [mm (in.)]	Assembly Rating	Cat. No.	
			Socket	Plug
Straight	4.0...5.1 (0.16...0.20)	22V 3 A	889P-F3DC-H	889P-M3DC-H
			889P-F4DC-H	889P-M4DC-H

### Approximate Dimensions

Dimensions are shown in mm (in.). Dimensions are not intended to be used for manufacturing purposes.



### Pinout and Color Code

Color Code	Face View Pinout			
	3-pin		4-pin	
A	1 Brown 2 –	3 Blue 4 Black	1 Brown 2 White	3 Blue 4 Black

# Cordsets and Patchcords – M23 QD Style

## M23 QD Style, 18 AWG or 18/22 AWG, Black or Yellow PVC



12-pin M23 Cordset

### Specifications

Attribute	Value
Certifications	UL Recognized and CSA Certified
<b>Mechanical</b>	
Coupling nut material	Nickel-plated brass
Connector material	Molded oil-resistant PUR
Contact material	Gold over nickel-plated brass
Cable type	<ul style="list-style-type: none"> <li>9- and 12-conductor cables: Oil-resistant PVC, yellow, PLTC, 300V, UL/CSA, 18 AWG</li> <li>11-conductor cable: Oil-resistant PUR, black, ITC/PLTC, 300V, UL/CSA (3) 18 AWG, (8) 22 AWG</li> <li>19-conductor cable: Oil-resistant PUR, black, ITC/PLTC, 300V, UL/CSA (3) 18 AWG, (16) 22 AWG</li> </ul>
Bend radius	10x diameter
<b>Electrical</b>	
Cable rating	300V
Assembly rating	<ul style="list-style-type: none"> <li>9- and 12-pin: 6 A</li> <li>11- and 19-conductor: 18 AWG-8 A, 22 AWG-2 A</li> </ul>
<b>Environmental</b>	
Enclosure type rating	IP67, IP68
Temperature rating	-20...+105 °C (-4...+221 °F)

## Product Selection

### Cordsets

No. of Conductors	Cable Material	Color Code <sup>(1)</sup>	Connector Type	Cable Diameter [mm (in.)]	Cat. No. <sup>(2)</sup>					
					Straight Socket	Right-angle Socket	Straight Plug	Right-angle Plug	Straight Plug	Right-angle Plug
					Internal Threads		With Internal Threads		With External Threads	
9	PVC	A	12-pin	10.1 (0.40)	889M-FX9AE-2	889M-RX9AE-2	889M-UX9AE-2	889M-VX9AE-2	889M-MX9AE-2	889M-EX9AE-2
11	PUR	B	12-pin	10.1 (0.40)	889M-F11RM-2	889M-R11RM-2	889M-U11RM-2	889M-V11RM-2	889M-M11RM-2	889M-E11RM-2
12	PVC	C	12-pin	10.8 (0.43)	889M-F12AH-2	889M-R12AH-2	889M-U12AH-2	889M-V12AH-2	889M-M12AH-2	889M-E12AH-2
19	PUR	A	19-pin	12.1 (0.48)	889M-F19RM-2	889M-R19RM-2	889M-U19RM-2	889M-V19RM-2	889M-M19RM-2	889M-E19RM-2

(1) See [Pinout and Color Code on page 105](#).

(2) The 2 at the end of the cat. no. is for 2 m (6.6 ft) cable length. Replace the 2 with 5 (5 m [16.4 ft]) or 10 (10 m [32.8 ft]) for standard cable lengths.

### Patchcords with Internal Threads

No. of Conductors	Cable Material	Connector Type	Cable Diameter [mm (in.)]	Cat. No. <sup>(1)</sup>			
				Straight Socket	Straight Socket	Right-angle Socket	Right-angle Socket
				Straight Plug	Right-angle Plug	Straight Plug	Right-angle Plug
				With Internal Threads			
9	PVC	12-pin	10.1 (0.40)	889M-FX9AEMU-2	889M-FX9AEMV-2	889M-RX9AEMU-2	889M-RX9AEMV-2
11	PUR	12-pin	10.1 (0.40)	889M-F11RMMU-2	889M-F11RMMV-2	889M-R11RMMU-2	889M-R11RMMV-2
12	PVC	12-pin	10.8 (0.43)	889M-F12AHMU-2	889M-F12AHMV-2	889M-R12AHMU-2	889M-R12AHMV-2
19	PUR	19-pin	12.1 (0.48)	889M-F19RMMU-2	889M-F19RMMV-2	889M-R19RMMU-2	889M-R19RMMV-2

(1) The 2 at the end of the cat. no. is for 2 m (6.6 ft) cable length. For Cat. No. 889M-F12AHMU only, replace the 2 with 0M3 (0.3 m [1 ft]), 0M6 (0.6 m [2 ft]), 1 (1 m [3.3 ft]), or 3 (3 m [9.8 ft]) for standard cable lengths. For other cat. nos., replace the 2 with 0M3 (0.3 m [1 ft]), 1 (1 m [3.3 ft]), 5 (5 m [16.4 ft]) or 10 (10 m [32.8 ft]) for standard cable lengths.

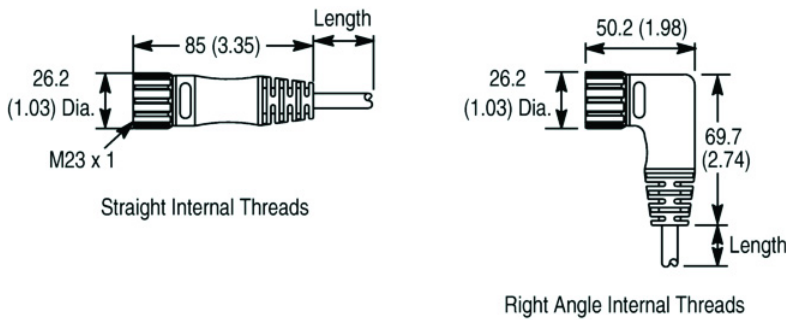
Patchcords with External Threads

No. of Conductors	Cable Material	Connector Type	Cable Diameter [mm (in.)]	Cat. No. <sup>(1)</sup>			
				Straight Socket	Straight Socket	Right-angle Socket	Right-angle Socket
				Straight Plug	Right-angle Plug	Straight Plug	Right-angle Plug
With External Threads							
9	PVC	12-pin	10.1 (0.40)	889M-FX9AEMM-2	889M-FX9AEME-2	889M-RX9AEME-2	889M-RX9AEME-2
11	PUR	12-pin	10.1 (0.40)	889M-F11RMMM-2	889M-F11RMME-2	889M-R11RMMM-2	889M-R11RMME-2
12	PVC	12-pin	10.8(0.43)	889M-F12AHMM-2	889M-F12AHME-2	889M-R12AHMM-2	889M-R12AHME-2
19	PUR	19-pin	12.1 (0.48)	889M-F19RMMM-2	889M-F19RMME-2	889M-R19RMMM-2	889M-R19RMME-2

(1) The 2 at the end of the cat. no. is for 2 m (6.6 ft) cable length. For Cat. No. 889M-F12AHMU only, replace the 2 with OM3 (0.3 m [1 ft]), OM6 (0.6 m [2 ft]), 1 (1 m [3.3 ft]), or 3 (3 m [9.8 ft]) for standard cable lengths. For other cat. nos., replace the 2 with OM3 (0.3 m [1 ft]), 1 (1 m [3.3 ft]), 5 (5 m [16.4 ft]) or 10 (10 m [32.8 ft]) for standard cable lengths.

Approximate Dimensions

Dimensions are shown in mm (in.). Dimensions are not intended to be used for manufacturing purposes.



Pinout and Color Code

Color Code	Face View Pinout					
	12-pin		19-pin			
	Socket	Plug	Socket	Plug		
A	9-conductor		1 Violet 2 Red 3 Gray 4 Red/Blue 5 Green/Black <sup>(1)</sup> 6 Blue <sup>(1)</sup>	7 Gray/Pink 8 White/Green 9 White/Yellow 10 White/Gray 11 Black 12 Green/Yellow	13 Yellow/Brown 14 Brown/Green 15 White 16 Yellow 17 Pink 18 Gray/Brown 19 Brown <sup>(1)</sup>	
B	11-conductor (pins 9/10 jumpered)		1 White 2 Green 3 Yellow 4 Gray	5 Pink 6 Red 7 Black 8 Violet	9 Blue <sup>(1)</sup> 10 Blue 11 Brown <sup>(1)</sup> 12 Green/Yellow <sup>(1)</sup>	—
C	12-conductor		1 Brown 2 Blue 3 Gray 4 Pink	5 Red 6 Yellow 7 White 8 Red/Blue	9 Black 10 Violet 11 Gray/Pink 12 Green/Yellow	—

(1) 18 AWG

## Receptacles – M23 Style

### Receptacles, M23 Style, 18 AWG or 18/22 AWG, M20 Mounting Threads



12-pin Plug M23 Receptacle

### Specifications

Attribute	Value
<b>Mechanical</b>	
Receptacle shell material	Nickel-plated brass
Connector insert material	Nylon or PBT/gray
Contact material	Machined brass with gold over nickel plating
Cable type	Oil-resistant PVC, 18 AWG stranded copper, 300V, UL Recognized and CSA Certified
<b>Electrical</b>	
Assembly rating	<ul style="list-style-type: none"> <li>9-, 11-, 12-pin: 300V, 6 A</li> <li>19-pin: 63V, 12 A</li> </ul>
<b>Environmental</b>	
Enclosure type rating	IP67, NEMA 6P, 1200 psi (8270 kPa) washdown
Operating temperature	-20...+105 °C (-4...+221 °F)

### Product Selection

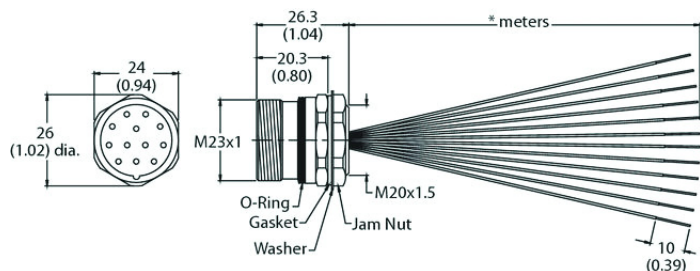
No. of Pins	Color Code <sup>(1)</sup>	Wire Size	Cat. No. <sup>(2)</sup>	
			Socket	Plug
9-pin	A	18 AWG	888M-F12X9AE-1F	888M-M12X9AE-1F
11-pin	B	3/18 AWG and 8/22 AWG	888M-F11AE-1F	888M-M11AE-1F
12-pin	C	18 AWG	888M-F12AE-1F	888M-M12AE-1F
19-pin	A	3/18 AWG and 16/22 AWG	888M-F19AE-1F	888M-M19AE-1F

(1) See [Pinout and Color Code on page 107](#).

(2) The 1 at the end of the cat. no. is for 1 ft (0.3 m) cable length. Replace the 1 with 0F5 for a 0.5 ft (0.2 m) cable length.

## Approximate Dimensions

Dimensions are shown in mm (in.). Dimensions are not intended to be used for manufacturing purposes.



## Pinout and Color Code

Color Code	Face View Pinout					
	9-, 11-, or 12-pin			19-pin		
	Socket		Plug	Socket		Plug
A	<b>9-pin</b>			1 Violet	7 Gray/Pink	13 Yellow/Brown
	2 —	5 NA	9 Pink	2 Red	8 White/Green	14 Brown/Green
B	<b>11-pin (pins 9/10 jumpered)</b>			3 Gray	9 White/Yellow	15 White
	4 Gray	8 Gray	12 Green/Yellow	4 Red/Blue	10 White/Gray	16 Yellow
C	<b>12-pin</b>			5 Green	11 Black	17 Pink
	1 Brown	6 Green	10 Red	6 Blue	12 Green/Yellow	18 Gray/Brown

# Field Attachable – M23 Style Solder Type



Field-Attachable M23 Connector

## Specifications

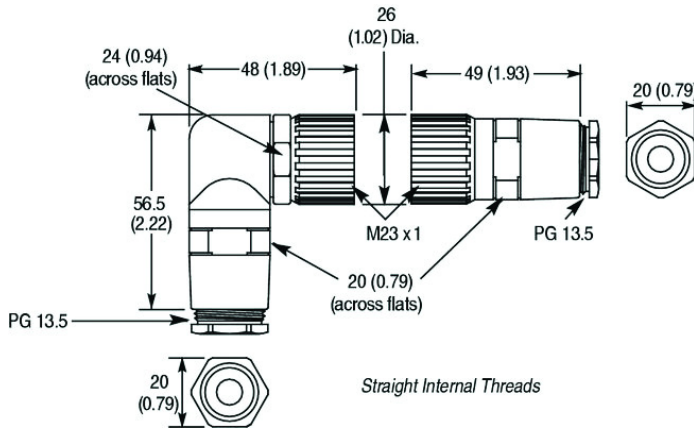
Attribute	Value
<b>Mechanical</b>	
Coupling nut material	Nickel-plated brass
Connector shell material	Nickel-plated brass
Contact material	Gold-plated palladium/nickel
Cable diameter	10...14 mm (0.39...0.55 in.)
<b>Electrical</b>	
Assembly rating	63V, 12 A power, 3 A all others
<b>Environmental</b>	
Enclosure type rating	IP65
Operating temperature	-20...+105 °C (-4...+221 °F)

## Product Selection

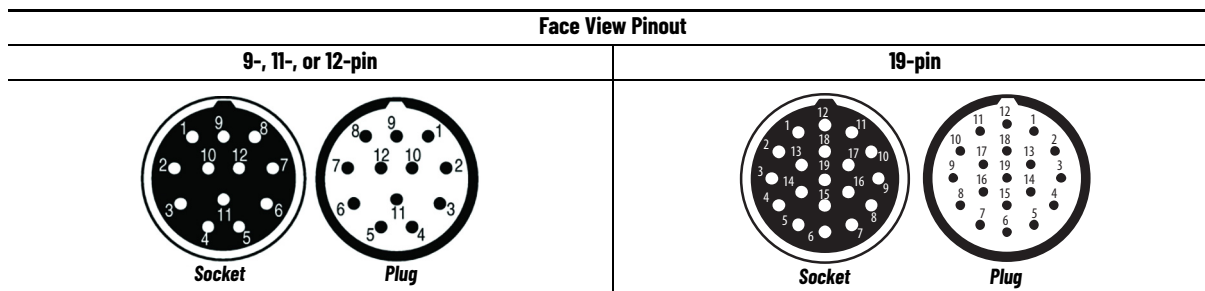
No. of Pins	Cable Jacket Diameter [mm (in.)]	Assembly Rating	Cat. No.			
			Straight Socket	Right-angle Socket	Straight Plug	Right-angle Plug
12-pin	10...14 (0.39...0.55)	63V, 12 A power, 3 A all others	889M-F12AH-T	889M-R12AH-T	889M-M12AH-T	889M-E12AH-T
19-pin			889M-F19AH-T	889M-R19AH-T	889M-M19AH-T	889M-E19AH-T
Spanner wrench (sold separately)						889A-M23SW

## Approximate Dimensions

Dimensions are shown in mm (in.). Dimensions are not intended to be used for manufacturing purposes.



## Pinout



## DIN Valve A Style (18 mm [0.71 in.])



Valve A Cordset

### Specifications

Attribute	Value
Certifications	CSA Certified
<b>Mechanical</b>	
Housing material	Molded oil-resistant PUR <ul style="list-style-type: none"> <li>• Non-LED version: black</li> <li>• LED version: clear</li> </ul>
Gasket material	Nitrile
Contact material	Tin-plated copper
Mounting screw	18-8 stainless steel
Cable type	Oil-resistant black PVC jacket, 18 AWG conductor, 300V, UL Recognized and CSA Certified
Homerun connection, min	10x diameter
Cable diameter [mm (in.)]	18 AWG <ul style="list-style-type: none"> <li>• 3-conductor: 5.5 (0.216)</li> <li>• 4-conductor: 6 (0.235)</li> </ul>
<b>Electrical</b>	
Cable rating	UL AWM style 2661 VW-1105C 300V, CSA AWM A/B I/II 80C 300V FTI; UV-, oil-, and water-resistant
Assembly rating	<ul style="list-style-type: none"> <li>• Straight wired: 0...250V AC/DC, 10 A</li> <li>• LED and varistor surge suppression: 24V or 115V AC/DC, 10 A</li> </ul>
<b>Environmental</b>	
Enclosure type rating	IP67, NEMA 6
Temperature rating	-25...+80 °C (-13...+176 °F)

## Product Selection

### Cordsets

Pinout	Color Code	Wiring	Voltage	Orientation	Cat. No.
2-pole + dual ground	Brown, blue, green/yellow	Straight wired	0...250V AC/DC	—	889V-RZ2DBE-2
					889V-RZ2DBE-5
			889V-RZ2DBE-10		
			889V-LD2DBE-2		
		LED and varistor surge suppression	24V AC/DC		889V-LD2DBE-5
					889V-LD2DBE-10
			115V AC/DC		889V-LA2DBE-2
					889V-LA2DBE-5
3-pole + ground	Brown, blue, black, green/yellow	Straight wired	0...250V AC/DC	Ground toward cable exit	889V-RZ3GBE-2
					889V-RZ3GBE-5
					889V-RZ3GBE-10
					889V-RZ3ABE-2
				Ground away from cable exit	889V-RZ3ABE-5
					889V-RZ3ABE-10

**IMPORTANT** The 20 AWG PUR DIN valve cordsets can be ordered by replacing BE with RD (for example, 889V-LA2DRD-2).

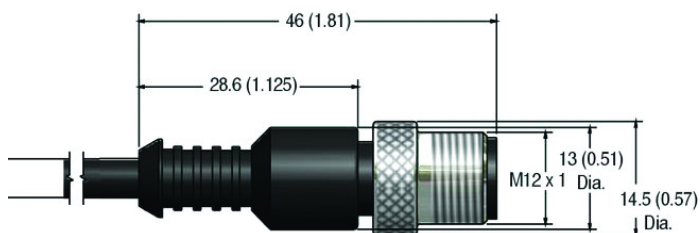
Patchcords

Pinout	Wire Size [AWG]	Jacket Material	Wire Type	Voltage	Orientation	Cat. No. <sup>(1)</sup>
2-pole + dual ground	20	PVC	Standard	0...120V	—	889V-RZ2DBDD-2
			LED and MOV	24V	—	889V-LD2DBDD-2
			LED and MOV	120V	—	889V-LA2DBDD-2
3-pole + ground			Standard	0...120V	—	889V-RZ3GBDD-2
			Standard	0...120V	—	889V-RZ3ABDD-2

(1) The 2 at the end of the cat. no. is for 2 m (6.6 ft) cable length. Replace the 2 with 1 (1 m [3.3 ft]), 5 (5 m [16.4 ft]), or 10 (10 m [32.8 ft]) for standard lengths.

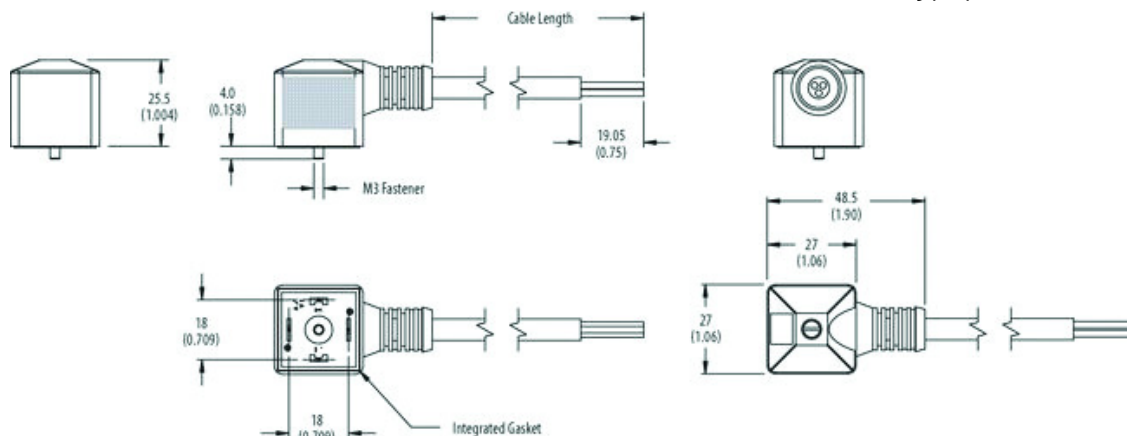
**IMPORTANT** The 20 AWG PUR DIN valve cordsets can be ordered by replacing BD with RD (for example, 889V-LA2DRD-2).

M12 Connector End of Patchcord



Approximate Dimensions

Dimensions are shown in mm (in.). Dimensions are not intended to be used for manufacturing purposes.



Pinout

Face View Pinout			
2-pin	3-pin		5-pin
Dual Ground	Ground Toward Cable Exit	Ground Away from Cable Exit	
			 <b>Socket</b>
1 Brown 2 Blue 3 Black GND Yellow and green	1 Brown 2 Blue 3 Black GND Yellow and green	1 Brown 2 Blue 3 Black GND Yellow and green	1 Brown 2 White 3 Blue 4 Black 5 Gray

## DIN Valve B Style [11 mm (0.43 in.)]



Valve B Cordset

### Specifications

Attribute	Value
Certifications	CSA Certified
<b>Mechanical</b>	
Housing material	Molded oil-resistant PUR <ul style="list-style-type: none"> <li>• Non-LED version: black</li> <li>• LED version: clear</li> </ul>
Gasket material	Nitrile
Contact material	Tin-plated copper
Mounting screw	18-8 stainless steel
Cable type	Oil-resistant PVC jacket, 18 AWG conductor, 300V, UL Recognized and CSA Certified
Homerun connection, min	10x diameter
Cable diameter [mm (in.)]	18 AWG <ul style="list-style-type: none"> <li>• 3-conductor: 5.5 (0.216)</li> <li>• 4-conductor: 6 (0.235)</li> </ul>
<b>Electrical</b>	
Cable rating	UL AWM style 2661 VW-1 105C 300V, CSA AWM A/B I/II 80C 300V FTI; UV-, oil-, and water-resistant
Assembly rating	<ul style="list-style-type: none"> <li>• Straight wired: 0...250V AC/DC, 10 A</li> <li>• LED and varistor surge suppression: 24V or 115V AC/DC, 10 A</li> </ul>
<b>Environmental</b>	
Enclosure type rating	IP67, NEMA 6
Temperature rating	-25...+80 °C (-13...+176 °F)

### Product Selection

Pinout	Color Code	Cable Type	Wiring	Voltage	Orientation	Cat. No.
2-pole + ground	Brown, blue, green/yellow	18 AWG black PVC	Straight wired	0...250V AC/DC	Ground toward cable exit	889W-RZ2GBE-2
						889W-RZ2GBE-5
						889W-RZ2GBE-10
					Ground away from cable exit	889W-RZ2ABE-2
						889W-RZ2ABE-5
						889W-RZ2ABE-10
			LED and varistor surge suppression	24V AC/DC	Ground toward cable exit	889W-LD2GBE-2
						889W-LD2GBE-5
						889W-LD2GBE-10
					Ground away from cable exit	889W-LD2ABE-2
						889W-LD2ABE-5
						889W-LD2ABE-10
			LED and varistor surge suppression	115V AC/DC	Ground toward cable exit	889W-LA2GBE-2
						889W-LA2GBE-5
						889W-LA2GBE-10
					Ground away from cable exit	889W-LA2ABE-2
889W-LA2ABE-5						
889W-LA2ABE-10						

**IMPORTANT** The 20 AWG PUR DIN valve cordsets can be ordered by replacing BE with RD (for example, 889W-RZ2GRD-2).

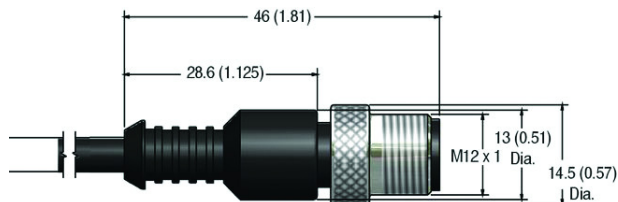
Patchcords

Pinout	Wire Size [AWG]	Jacket Material	Wire Type	Voltage	Orientation	Cat. No. <sup>(1)</sup>
2-pole + dual ground	20	PVC	Standard	0...120V	-	889W-RZ2GBDD-2
			LED and MOV	24V		889W-RZ2ABDD-2
				120V		889W-LD2ABDD-2
						889W-LA2ABDD-2

(1) The 2 at the end of the cat. no. is for 2 m (6.6 ft) cable length. Replace the 2 with 1 (1 m [3.3 ft]), 5 (5 m [16.4 ft]), or 10 (10 m [32.8 ft]) for standard lengths.

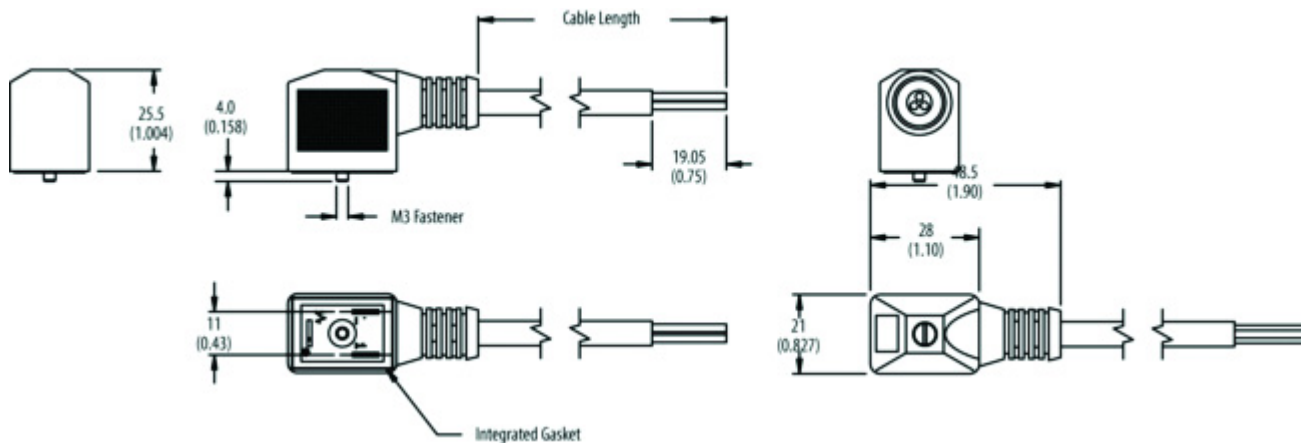
**IMPORTANT** The 20 AWG PUR DIN valve cordsets can be ordered by replacing BE with RD (for example, 889V-LA2DRD-2).

M12 Connector End of Patchcord



Approximate Dimensions

Dimensions are shown in mm (in.). Dimensions are not intended to be used for manufacturing purposes.



Pinout

Face View Pinout		
2-pin		5-pin
Ground Toward Cable Exit	Ground Away from Cable Exit	
1 Brown 2 Blue GND Yellow and green		1 Brown 2 White 3 Blue 4 Black 5 Gray

## DIN Valve C Style [9.4 mm (0.37 in.)]



Valve C Cordset

### Specifications

Attribute	Value
Certifications	CSA Certified
<b>Mechanical</b>	
Housing material	Molded oil-resistant PUR <ul style="list-style-type: none"> <li>• Non-LED version: black</li> <li>• LED version: clear</li> </ul>
Gasket material	Nitrile
Contact material	Tin-plated copper
Mounting screw	18-8 stainless steel
Cable type	Oil-resistant PVC jacket, 20 AWG conductor, 300V, UL Recognized and CSA Certified
Bend radius, min	10x diameter
Cable diameter [mm (in.)]	20 AWG, 4-conductor: 5.2 (0.205)
<b>Electrical</b>	
Cable rating	UL AWM style 2661 VW-1 105C 300V, CSA AWM A/B I/II 80C 300V FTI; UV-, oil-, and water-resistant
Assembly rating	<ul style="list-style-type: none"> <li>• Straight wired: 0...250V AC/DC, 6 A</li> <li>• LED and varistor surge suppression: 24V or 115V AC/DC, 6 A</li> </ul>
<b>Environmental</b>	
Enclosure type rating	IP67, NEMA 6
Temperature rating	-25...+80 °C (-13...+176 °F)

## Product Selection

### Cordsets

Pinout	Color Code	Cable Type	Wiring	Voltage	Cat. No.
2-pole + dual ground	Brown, blue, green/yellow	20 AWG black PVC	Straight wired	0...250V AC/DC	889Z-RZ2DBD-2
					889Z-RZ2DBD-5
					889Z-RZ2DBD-10
			LED and varistor surge suppression	24V AC/DC	889Z-LD2DBD-2
					889Z-LD2DBD-5
				889Z-LD2DBD-10	
				115V AC/DC	889Z-LA2DBD-2
					889Z-LA2DBD-5
889Z-LA2DBD-10					

**IMPORTANT** The 20 AWG PUR DIN valve cordsets can be ordered by replacing BD with RD (for example, 889Z-RZ2DRD-2).

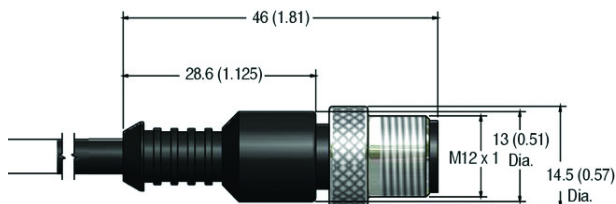
### Patchcords

Pinout	Wire Size [AWG]	Jacket Material	Wire Type	Voltage	Orientation	Cat. No. <sup>(1)</sup>
2-pole + dual ground	20	PVC	Standard	0...120V	—	889V-RZ2DBDD-2
			LED and MOV	24V		889V-LD2DBDD-2

(1) The 2 at the end of the cat. no. is for 2 m (6.6 ft) cable length. Replace the 2 with 1 (1 m [3.3 ft]), 5 (5 m [16.4 ft]), or 10 (10 m [32.8 ft]) for standard lengths.

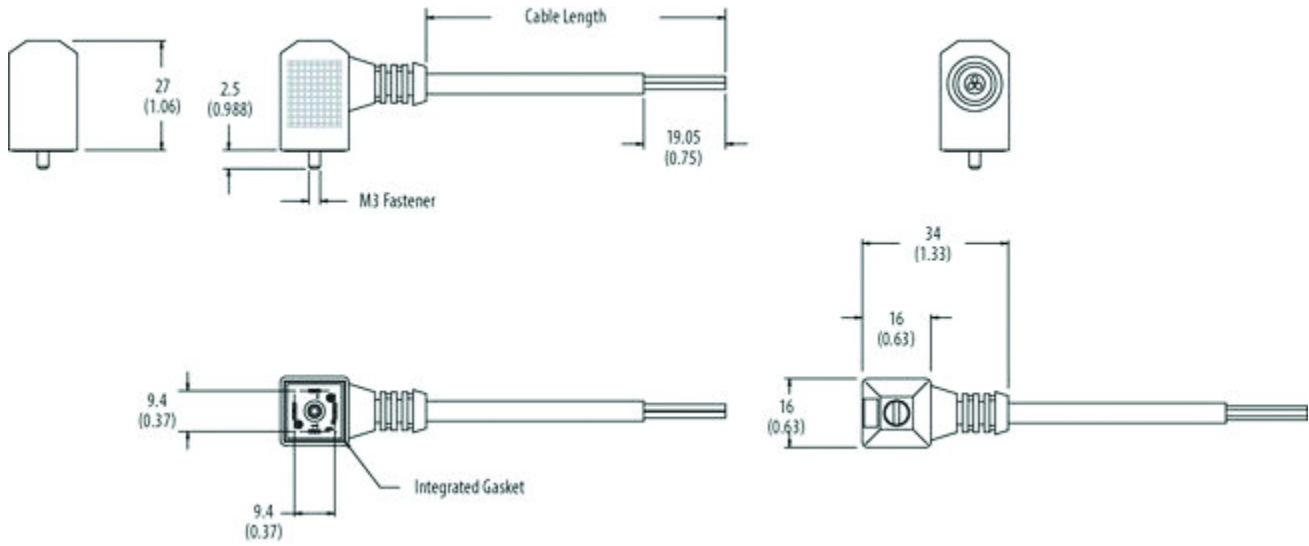
**IMPORTANT** The 20 AWG PUR DIN valve cordsets can be ordered by replacing BD with RD (for example, 889V-LA2DRD-2).

### M12 Connector End of Patchcord



## Approximate Dimensions

Dimensions are shown in mm (in.). Dimensions are not intended to be used for manufacturing purposes.



## Pinout

Face View Pinout	
<b>2-pin Dual Ground</b>	<b>5-pin</b>
1 Brown 2 Blue GND Yellow and green	1 Brown 2 White 3 Blue 4 Black 5 Gray

## Field Attachable, DIN Valve A (18 mm)



Valve A

## Specifications

Attribute	Value
<b>Mechanical</b>	
Connector shell material	Polyamide Nylon 6
Gasket material	Nitrile
Mounting screw	Zinc-plated steel
No. of main contacts	2 + ground, 3 + ground
Cable type	Connector accepts 14 AWG, max
<b>Electrical</b>	
Assembly rating	<ul style="list-style-type: none"> <li>Straight wire: 0...250V, 10 A</li> <li>LED and varistor surge suppression: 24V, 115V, or 230V, 10 A</li> </ul>
<b>Environmental</b>	
Enclosure type rating	IP65; NEMA 4
Operating temperature	-25...+90 °C (-13...+194 °F)

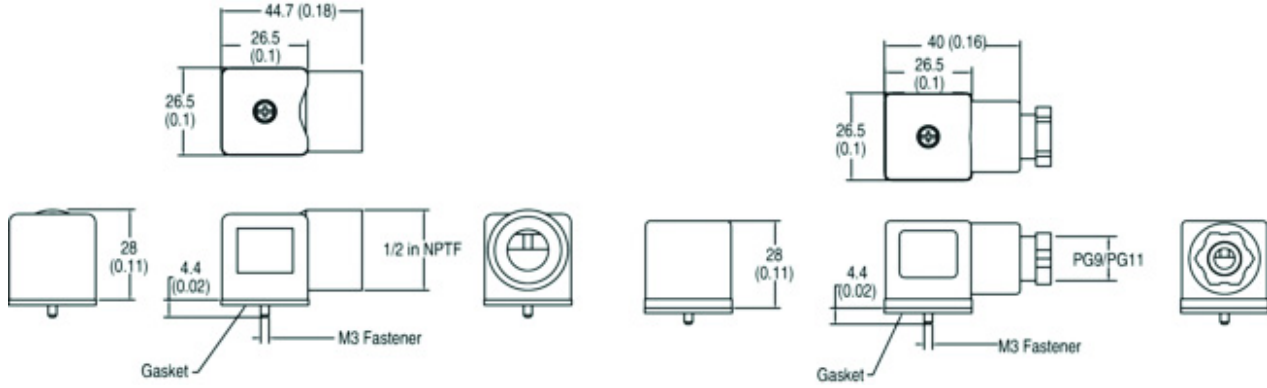
## Product Selection

Pinout	Wiring	Assembly Rating	Thread Size	Accepts Outer Cable Diameter [mm (in.)]	Cat. No. (1)	
2-pole + ground	Straight wired	0...250V, 10 A	PG9	5.99...8.0 (0.236...0.315)	889V-RZ2GCF-T	
			PG11	8.0...9.9 (0.315...0.39)	889V-RZ2GFF-T	
			1/2 inch-NPTF	10.4 (0.41), max	889V-RZ2GNF-T	
	LED and varistor surge suppression	24V, 10 A	24V, 10 A	PG9	5.99...8.0 (0.236...0.315)	889V-LD2GCF-T
				PG11	8.0...9.9 (0.315...0.39)	889V-LD2GFF-T
				1/2 inch-NPTF	10.4 (0.41), max	889V-LD2GNF-T
		115V, 10 A	115V, 10 A	PG9	5.99...8.0 (0.236...0.315)	889V-LA2GCF-T
				PG11	8.0...9.9 (0.315...0.39)	889V-LA2GFF-T
				1/2 inch-NPTF	10.4 (0.41), max	889V-LA2GNF-T
		230V, 10 A	230V, 10 A	PG9	5.99...8.0 (0.236...0.315)	889V-LC2GCF-T
				PG11	8.0...9.9 (0.315...0.39)	889V-LC2GFF-T
				1/2 inch-NPTF	10.4 (0.41), max	889V-LC2GNF-T
3-pole + ground	Straight wired	0...250V, 10 A	PG9	5.99...8.0 (0.236...0.315)	889V-RZ3GCF-T	
			PG11	8.0...9.9 (0.315...0.39)	889V-RZ3GFF-T	
			1/2 inch-NPTF	10.4 (0.41), max	889V-RZ3GNF-T	

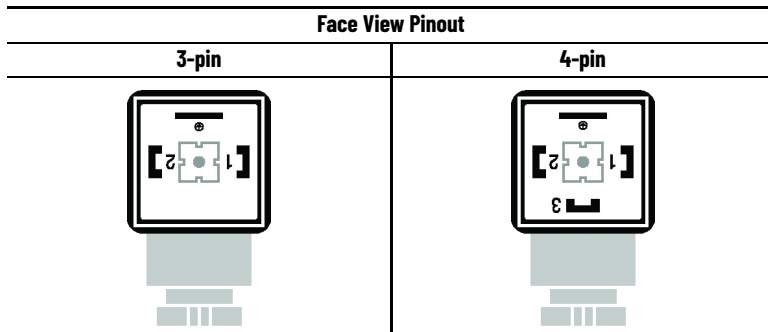
(1) Each catalog number is for one bag of five pieces.

## Approximate Dimensions

Dimensions are shown in mm (in.). Dimensions are not intended to be used for manufacturing purposes.



## Pinout



**IMPORTANT** The faceplate can be oriented in 90° increments.

## Field Attachable, DIN Valve B [11 mm (0.43 in.)] and BEU (10 mm [0.39 in.])



Valve B and BEU

### Specifications

Attribute	Value
<b>Mechanical</b>	
Connector shell material	Polyamide Nylon 6
Gasket material	Nitrile
Mounting screw	Zinc-plated steel
No. of main contacts	2 + ground
Cable type	Connector accepts 14 AWG max
<b>Electrical</b>	
Assembly rating	<ul style="list-style-type: none"> <li>Straight wire: 0...250V, 10 A</li> <li>LED and varistor surge suppression: 24V, 115V, or 230V, 10 A</li> </ul>
<b>Environmental</b>	
Enclosure type rating	IP65; NEMA 4
Operating temperature	-25...+90 °C (-13...+194 °F)

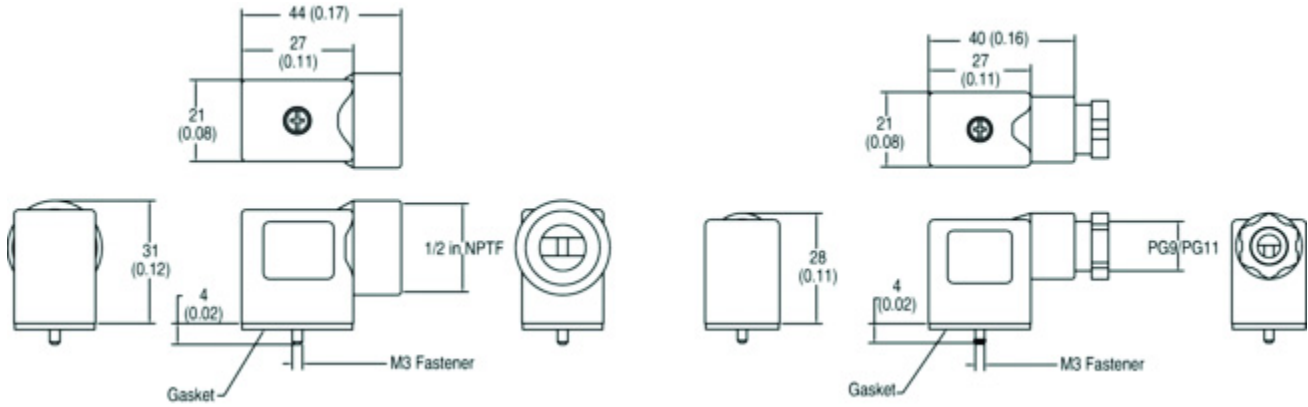
### Product Selection

Pinout	Wiring	Assembly Rating	Thread Size	Accepts Outer Cable Diameter [mm (in.)]	Cat. No. (1)	
2-pole + ground	Straight wired	0...250V, 10 A	PG9	5.99...8.0 (0.236...0.315)	889V-RZ2GCF-T	
			PG11	8.0...9.9 (0.315...0.39)	889V-RZ2GFF-T	
			1/2 inch-NPTF	10.4 (0.41), max	889V-RZ2GNF-T	
	LED and varistor surge suppression	24V, 10 A	24V, 10 A	PG9	5.99...8.0 (0.236...0.315)	889V-LD2GCF-T
				PG11	8.0...9.9 (0.315...0.39)	889V-LD2GFF-T
				1/2 inch-NPTF	10.4 (0.41), max	889V-LD2GNF-T
		115V, 10 A	115V, 10 A	PG9	5.99...8.0 (0.236...0.315)	889V-LA2GCF-T
				PG11	8.0...9.9 (0.315...0.39)	889V-LA2GFF-T
				1/2 inch-NPTF	10.4 (0.41), max	889V-LA2GNF-T
		230V, 10 A	230V, 10 A	PG9	5.99...8.0 (0.236...0.315)	889V-LC2GCF-T
				PG11	8.0...9.9 (0.315...0.39)	889V-LC2GFF-T
				1/2 inch-NPTF	10.4 (0.41), max	889V-LC2GNF-T
3-pole + ground	Straight wired	0...250V, 10 A	PG9	5.99...8.0 (0.236...0.315)	889V-RZ3GCF-T	
			PG11	8.0...9.9 (0.315...0.39)	889V-RZ3GFF-T	
			1/2 inch-NPTF	10.4 (0.41), max	889V-RZ3GNF-T	

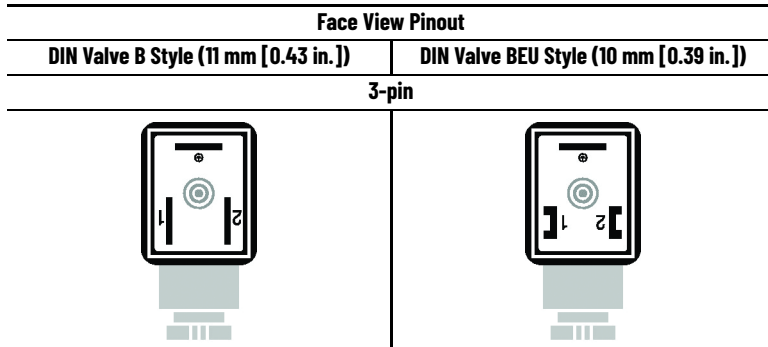
(1) Each catalog number is one bag of five pieces.

## Approximate Dimensions

Dimensions are shown in mm (in.). Dimensions are not intended to be used for manufacturing purposes.



## Pinout



**IMPORTANT** The faceplate can be oriented in 180° increments.

## DIN Valve C (9.4 mm [0.37 in.]) and CEU (8 mm [0.31 in.])



Valve C and CEU

### Specifications

Attribute	Value
Connector shell material	Polyamide Nylon 6
Gasket material	Nitrile
Mounting screw	Zinc-plated steel
No. of main contacts	2 + ground, 3 + ground
Cable type	Connector accepts 20 AWG max
<b>Electrical</b>	
Assembly rating	<ul style="list-style-type: none"> <li>Straight wire: 250V AC/300V DC, 6 A</li> <li>LED and varistor surge suppression: 24V, 115V, or 230V, 6 A</li> </ul>
<b>Environmental</b>	
Enclosure type rating	IP65; NEMA 4
Operating temperature	-25...+90 °C (-13...+194 °F)

### Product Selection

#### DIN Valve C Style (9.4 mm [0.37 in.])

Pinout	Wiring	Assembly Rating	Thread Size	Accepts Outer Cable Diameter [mm (in.)]	Cat. No. (1)
2-pole + ground	Straight wired	250V AC/300V DC	PG7	3.98...5.99 (0.157...0.236)	889Z-RZ2GDE-T
	LED and varistor surge suppression	24V			889Z-LD2GDE-T
115V		889Z-LA2GDE-T			
3-pole + ground	Straight wired	250V AC/300V DC			889Z-RZ3GDE-T

(1) Each catalog number is for one bag of five pieces.

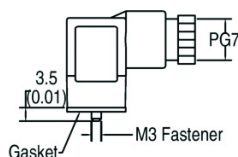
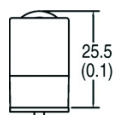
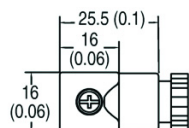
#### DIN Valve CEU Style (8 mm [0.31 in.])

Pinout	Wiring	Assembly Rating	Thread Size	Accepts Outer Cable Diameter [mm (in.)]	Cat. No. (1)
2-pole + ground	LED and varistor surge suppression	250V AC/300V DC	PG7	3.98...5.99 (0.157...0.236)	889S-RZ2GDE-T
		24V			889S-LD2GDE-T
		115V			889S-LA2GDE-T
		230V			889S-LC2GDE-T
3-pole + ground	Straight wired	250V AC/300V DC	889S-RZ3GDE-T		

(1) Each catalog number is for one bag of five pieces.

### Approximate Dimensions

Dimensions are shown in mm (in.). Dimensions are not intended to be used for manufacturing purposes.



### Pinout

Face View Pinout			
DIN Valve C Style (9.4 mm [0.37 in.])		DIN Valve CEU Style (8 mm [0.31 in.])	
3-pin	4-pin	3-pin	4-pin

**IMPORTANT** The faceplate can be oriented in 90° increments.

# Receptacles – Insulation Displacement Connectors (IDC)



4-pin IDC Receptacle

## Specifications

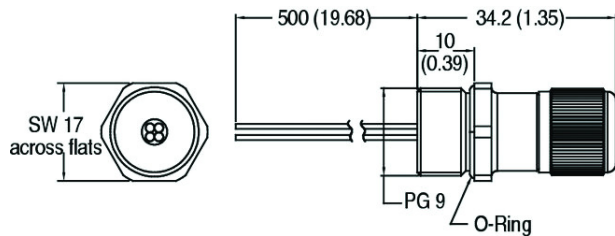
Attribute	Value
<b>Mechanical</b>	
Receptacle shell material	Nickel-plated brass
Coupling nut material	Nickel-plated brass
Connector shell material	Nickel-plated brass
Connector insert material	Black PUR
Contact material	Gold over nickel-plated brass
IDC installations, max	10
Conductor OD [mm (in.)]	24...22 AWG, 1.6...2.0 (0.063...0.079)
Cable diameter	1.2...1.6 (0.047...0.063)
Wire insulation	Oil-resistant PVC, 22 AWG stranded copper, 300V, UL Recognized
<b>Environmental</b>	
Enclosure type rating	IP67, 1200 psi (8270 kPa) washdown
Operating temperature	-20...+85 °C (-4...+185 °F)

## Product Selection

Description	Connector Body	Panel Mount Threads	Wire Color	Assembly Rating	Cat. No.
4-pin straight receptacle	Brass with nickel-plating	PG 9	1 Brown 2 White 3 Blue 4 Black	24...22 AWG 32V 4 A	888H-T4DC3-0M5

## Approximate Dimensions

Dimensions are shown in mm (in.). Dimensions are not intended to be used for manufacturing purposes.



## Cable Spools (PVC)



22 AWG and 18 AWG, PVC

## Specifications

Attribute	Value
Cable type	Oil-resistant PVC jacket, PVC-insulated conductors, 300V
Cable rating	UL AWM style 2661 VW-1105C 300V, CSA AWM A/B I/II 80C 300V FTI; UV-, oil-, and water-resistant
Operating temperature	-20...+105 °C (-4...+221 °F)

## Product Selection

Jacket Material	No. of Conductors	Color Code	Jacket Color	Wire Size [AWG]	Nominal Outer Diameter [mm (in.)]	Shielding	Cat. No. <sup>(1)</sup>
PVC	2	Brown, blue	Yellow	22	5.3 (0.21)	None	889-C2AC-S50
	3	Brown, blue, black	Yellow	22	5.3 (0.21)	None	889-C3AC-S50
		Green, red with black stripe, red with white stripe	Yellow	22	6.7 (0.26)	Braided	889-C3ECA-S50
	Yellow		18	6.7 (0.26)	None	889-C3AEA-S50	
	4	Brown, white, blue, black	Yellow	22	5.3 (0.21)	None	889-C4AC-S50
			Black	22	5.3 (0.21)	None	889-C4BC-S50
			Blue	22	5.3 (0.21)	None	889-C4LC-S50
			Yellow	22	6.7 (0.26)	Braided	889-C4EC-S50
		Green, red with black stripe, red with white stripe, red	Yellow	18	6.7 (0.26)	None	889-C4AE-S50
			Yellow	22	5.5 (0.22)	Foil	889-C4FC-S50
			Yellow	22	6.7 (0.26)	Braided	889-C4ECA-S50
			Yellow	18	6.7 (0.26)	None	889-C4AEA-S50
	5	Brown, white, blue, black, gray	Yellow	22	6.0 (0.24)	None	889-C5AC-S50
			Black	22	6.0 (0.24)	None	889-C5BC-S50
			Yellow	22	6.7 (0.26)	Braided	889-C5EC-S50
		Green, red with black stripe, red with white stripe, red, red with yellow stripe	Yellow	22	6.7 (0.26)	None	889-C5ECA-S50
			Yellow	18	6.7 (0.26)	None	889-C5AEA-S50
	6	Green, red with black, red with white, red, red with yellow, red with blue stripe	Yellow	22	6.7 (0.26)	Braided	889-C6ECA-S50

(1) The 50 at the end of the catalog number is for 50 m (164 ft) cable length. Replace the 50 with 100 (100 m [328.1 ft]) or 200 (200 m [656.2 ft]) for other standard cable lengths.

## Cable Spools (PUR and TPE)



PUR 22 AWG and TPE 18 AWG

## Specifications

Attribute	Value
Cable type	Oil-resistant jacket, PVC insulated conductors, 300V
Cable rating	<ul style="list-style-type: none"> <li>PUR: UL AWM style 20866 VW-1 80C 300V, CSA AWM A/B I/II 80C 300V FT1; UV-, oil-, and water-resistant</li> <li>TPE: UL AWM style 20327 VW-1 105C 300V, CSA AWM A/B I/II 105C 300V FT1; UV-, oil-, and water-resistant</li> </ul>
Operating temperature	<ul style="list-style-type: none"> <li>PUR: -20...+80 °C (-4...+176 °F)</li> <li>TPE: -20...+105 °C (-4...+221 °F)</li> </ul>

## Product Selection

Jacket Material	No. of Conductors	Color Code	Jacket Color	Wire Size [AWG]	Nominal Outer Diameter [mm (in.)]	Shielding	Cat. No.
PUR	4	Brown, white, blue, black	Yellow	22	5.2 (0.21)	None	889-C4UC-S50 <sup>(1)</sup>
	5	Brown, white, blue, black, gray		22	5.2 (0.21)		889-C5UC-S50 <sup>(1)</sup>
TPE	4	Brown, white, blue, black		18	7.0 (0.28)		889-C4HJ-S50 <sup>(1)</sup>
TPE ToughLink	4	Brown, white, blue, black		10	—	—	889-C4HKC-SC5 <sup>(2)</sup>

(1) The 50 at the end of the catalog number is for 50 m (164 ft) cable length. Replace the 50 with 100 (100 m [328.1 ft]) or 200 (200 m [656.2 ft]) for other standard cable lengths.

(2) Available in 25 m (82 ft), 50 m (164 ft), and 75 m (246.1 ft) cable lengths.

## Additional Resources

These documents contain additional information concerning related products from Rockwell Automation.

Resource	Description
Connectivity & Network Media Brochure, publication <a href="#">CONEC-BR001</a> .	Provides connectivity application layout examples.
EtherNet/IP Network Devices User Manual, publication <a href="#">ENET-UM006</a>	Describes how to configure and use EtherNet/IP™ devices to communicate on the EtherNet/IP network.
Ethernet Reference Manual, publication <a href="#">ENET-RM002</a>	Describes basic Ethernet concepts, infrastructure components, and infrastructure features.
System Security Design Guidelines Reference Manual, publication <a href="#">SECURE-RM001</a>	Provides guidance on how to conduct security assessments, implement Rockwell Automation products in a secure system, harden the control system, manage user access, and dispose of equipment.
Industrial Components Preventive Maintenance, Enclosures, and Contact Ratings Specifications, publication <a href="#">IC-TD002</a>	Provides a quick reference tool for Allen-Bradley® industrial automation controls and assemblies.
Safety Guidelines for the Application, Installation, and Maintenance of Solid-State Control, publication <a href="#">SGI-1.1</a>	Designed to harmonize with NEMA Standards Publication No. ICS 1.1-1987 and provides general guidelines for the application, installation, and maintenance of solid-state control in the form of individual devices or packaged assemblies that incorporate solid-state components.
Industrial Automation Wiring and Grounding Guidelines, publication <a href="#">1770-4.1</a>	Provides general guidelines for installing a Rockwell Automation industrial system.
Product Certifications website, <a href="#">rok.auto/certifications</a>	Provides declarations of conformity, certificates, and other certification details.

You can view or download publications at [rok.auto/literature](#).

# Rockwell Automation Support

Use these resources to access support information.

<b>Technical Support Center</b>	Find help with how-to videos, FAQs, chat, user forums, Knowledgebase, and product notification updates.	<a href="http://rok.auto/support">rok.auto/support</a>
<b>Local Technical Support Phone Numbers</b>	Locate the telephone number for your country.	<a href="http://rok.auto/phonesupport">rok.auto/phonesupport</a>
<b>Technical Documentation Center</b>	Quickly access and download technical specifications, installation instructions, and user manuals.	<a href="http://rok.auto/techdocs">rok.auto/techdocs</a>
<b>Literature Library</b>	Find installation instructions, manuals, brochures, and technical data publications.	<a href="http://rok.auto/literature">rok.auto/literature</a>
<b>Product Compatibility and Download Center (PCDC)</b>	Download firmware, associated files (such as AOP, EDS, and DTM), and access product release notes.	<a href="http://rok.auto/pcdc">rok.auto/pcdc</a>

## Documentation Feedback

Your comments help us serve your documentation needs better. If you have any suggestions on how to improve our content, complete the form at [rok.auto/docfeedback](http://rok.auto/docfeedback).

Allen-Bradley, expanding human possibility, and Rockwell Automation are trademarks of Rockwell Automation, Inc.





EtherNet/IP is a trademark of ODVA, Inc.

Trademarks not belonging to Rockwell Automation are property of their respective companies.

Rockwell Automation maintains current product environmental compliance information on its website at [rok.auto/pec](http://rok.auto/pec).

Rockwell Automation NV Commercial Registration Number 0424.293.935

Rockwell Otomasyon Ticaret A.Ş. Kar Plaza İş Merkezi E Blok Kat:6 34752, İçerenköy, İstanbul, Tel: +90 (216) 5698400 EEE Yönetmeliğine Uygundur

Connect with us.    

**rockwellautomation.com** ————— **expanding human possibility®**

AMERICAS: Rockwell Automation, 1201 South Second Street, Milwaukee, WI 53204-2496 USA, Tel: (1) 414.382.2000

EUROPE/MIDDLE EAST/AFRICA: Rockwell Automation NV, Pegasus Park, De Kleetlaan 12a, 1831 Diegem, Belgium, Tel: (32) 2663 0600

ASIA PACIFIC: Rockwell Automation SEA Pte Ltd, 2 Corporation Road, #04-05, Main Lobby, Corporation Place, Singapore 618494, Tel: (65) 6510 6608

UNITED KINGDOM: Rockwell Automation Ltd., Pitfield, Kiln Farm, Milton Keynes, MK11 3DR, United Kingdom, Tel: (44)(1908) 838-800

Publication 889-TD002L-EN-P - January 2026

Supersedes Publication 889-TD002K-EN-P - November 2024

Copyright © 2026 Rockwell Automation, Inc. All rights reserved. Printed in the U.S.A.