



Definite Purpose Contactor Specifications

Bulletin Number 400





Topic	Page
Summary of Changes	2
Product Overview	3
Product Overview/Catalog Number Explanation	4
Product Selection	6
Accessories/Modifications	15
Approximate Dimensions	19
Additional Resources	23

Summary of Changes

This publication contains the following new or updated information. This list includes substantive updates only and is not intended to reflect all changes.

Topic	Page
Added New Product Overview	3
Added Catalog Number Explanation	5
Added A2L certification to standard compliance and certifications section	6

Product Overview

				
Bulletin Number	400			
Features	<ul style="list-style-type: none"> • Compact size • Feed-through wiring • Class B (130 °C) coil insulation • Double "E" magnet assembly • Snap-on auxiliary contacts Complete range of accessories • Combination pressure and quick connect terminals • Ability to accept ring terminals • Double-break contacts 			
No. of Poles	1 & 2	3	3	4
FLA Rating	20/25...40	25...40	50...90	20/25...40
Arc Cover	Optional	Standard	Standard	Standard
Termination	<ul style="list-style-type: none"> • 1/4 in. QC, #10-32 screw • Box lugs optional 	<ul style="list-style-type: none"> • 1/4 in. QC, #10-32 screw • Box lugs optional (25...30 A) • Coil screws optional 	<ul style="list-style-type: none"> • Box lug, standard • Option available to accept ring terminals 	<ul style="list-style-type: none"> • 1/4 in. QC, #10-32 screw (25...30 A) • Electronic or pneumatic timers
Certifications	<ul style="list-style-type: none"> • CSA Certified (File No. 221970) • UL Recognized (File No. E3125, Guide No. NLDX2) • A2L Certified • CE Marked - SEMKO Certified • CCC 	<ul style="list-style-type: none"> • CSA Certified (File No. 221970) • UL Recognized (File No. E3125, Guide No. NLDX2) • A2L Certified • CE Marked - SEMKO Certified • CCC 	<ul style="list-style-type: none"> • CSA Certified (File No. 221970) • UL Recognized (File No. E3125, Guide No. NLDX2) • A2L Certified • CE Marked - SEMKO Certified • CCC 	<ul style="list-style-type: none"> • CSA Certified (File No. 221970) • UL Recognized (File No. E3125, Guide No. NLDX2) • A2L Certified • CE Marked - SEMKO Certified • CCC
Product Selection	page 7	page 8	page 11	page 13

Definite Purpose Contactors

Product Overview/Catalog Number Explanation



Bulletin 400

- Available in the following ranges
1-Pole: 20/25...40 A, 600V max.
2-Pole: 20/25...40 A, 600V max.
3-Pole: 20/25...90 A, 600V max.
4-Pole: 20/25...40 A, 600V max.

The Allen-Bradley® Bulletin 400 Definite Purpose contactors are specifically designed for applications such as air-conditioning, refrigeration, resistive heating, data processing and food service equipment, pumps, and compressors.

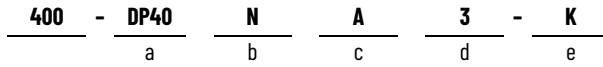
Box lugs are standard on 40 A contactors and larger. A maximum of two auxiliary contact blocks (one on each side, four contacts max.) can be field installed.

Features Include:

- UL tested for lighting loads
- Compliant with international standards
- Standard and high fault short-circuit current rating (SCCR)

Catalog Number Explanation

Examples given in this section are for reference purposes. This basic explanation should not be used for product selection; not all combinations will produce a valid catalog number.



a	
Current Rating	
Code	Full Load Amps [A]
DP25	20/25
DP30	30
DP40	40
DP50	50
DP60	60
DP75	75
DP90	90
b	
Enclosure Code	
Code	Enclosure
N	No enclosure/No exceptions

c	
Nominal Coil Voltage [V]	
Code	50/60 Hz Frequency
J	24
D	120
A	208/240
F	277
LF	347
B	480
d	
Number of Poles	
Code	Description
1	1 pole
2	2 poles
3	3 poles ⁽¹⁾
4	4 poles

e	
Modifications	
Code ⁽²⁾	Description
B	Box lug with DP25 or DP30 in 2nd position
D	400-DRA factory attached to DP (20/25...40 A)
E	2 poles with 3-pole base
K	#6-32 screw coil terminal with DP25, DP30, or DP40 in 2nd position
R	Accept ring terminal for DP40...DP90
S	#10-32 SEMS terminal
T	Coil terminals down
U	Coil terminals on load side (T1/2, T2/4, T3/6) without

e (cont'd)	
Modifications ⁽³⁾	
3- and 4-Pole 20/25, 30, and 40 A only (Steel Back Plate)	
Code	Description
AB1	Auxiliary contact - 1 N.O./1 N.C. with QC
A1	Auxiliary contact - SPDT with QC
A2	Auxiliary contact - SPDT with QC
3-Pole 50...90 A only	
Code	Description
AB	Auxiliary contact - 1 N.O./1 N.C. with QC
A	Auxiliary contact - SPDT with QC
4-Pole 20/25, 30, and 40 A only (Molded Back Plate)	
DIN Rail/Panel Mount	
Code	Description
AB5	Integrated panel mount and pass-through wiring
A5	Auxiliary contact - SPDT with QC
AA5	Auxiliary contact - 2 SPDT with QC

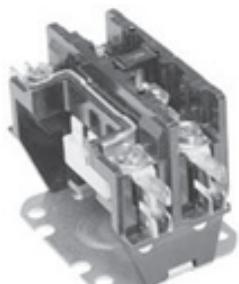
(1) 50 amps and above are only available with three poles.
 (2) Options D, T and U are no longer available.
 (3) Options from this column are no longer available from the factory.

Product Selection

Contactors

	Number of Poles	FLA Rating [A]	Arc Cover	Standard Termination	Certifications	Page Number
	1	20...30	Optional	#10-32 screw with 1/4 in. QC		1-6
		40		Box lug (option available to accept ring terminals)		
	2	20...30	Optional	#10-32 screw with 1/4 in. QC	 	1-6
		40		Box lug (option available to accept ring terminals)		
	3	20...30	Standard	#10-32 screw with 1/4 in. QC	  	1-7
		40		Box lug (option available to accept ring terminals)		
	3	50, 60	Standard	Box lug (option available to accept ring terminals)	  	1-8
		75, 90				
	4	20...30	Standard	#10-32 screw with 1/4 in. QC	  	1-9
		40		Box lug (option available to accept ring terminals)		

20/25...40 FLA 1- and 2-Pole



1-Pole Contactor with Shunt



2-Pole Contactor with Optional Arc Cover

Full Load Amps [A]	Number of Poles	Maximum Continuous Ampere Rating [A]		Line Voltage [V AC]	Locked Rotor Current [A]	Resistive Current Rating [A]	Voltage [V]	Max. Single Phase Hp	Cat. No.
		Tungsten Lamp Loads ^{(1) (2)}	Ballast Lighting Load ⁽³⁾						
20/25 ⁽¹⁾⁽²⁾	1	25		240/277	150	35	120	1	400-DP25N [⊕] 1
				480	125	35	240	2	
				600	100	35			
20/25 ⁽¹⁾⁽²⁾	2	25		240/277	150	35	120	2	400-DP25N [⊕] 2
				480	125	35	240	3	
				600	100	35			
30 ⁽¹⁾⁽²⁾	1	30		240/277	150	40	120	1	400-DP30N [⊕] 1
				480	125	40	240	2	
				600	100	40			
30 ⁽¹⁾⁽²⁾	2	30		240/277	150	40	120	2	400-DP30N [⊕] 2
				480	125	40	240	3	
				600	100	40			
40 ⁽¹⁾⁽²⁾	1	40		240/277	240	50	120	2	400-DP40N [⊕] 1
				480	160	50	240	3	
				600	120	50			
40 ⁽¹⁾⁽²⁾	2	40		240/277	240	50	120	2	400-DP40N [⊕] 2
				480	200	50	240	3	
				600	120	50			

(1) Coil terminal screws are not available on 1- and 2-pole contactors.

(2) Max. 250V AC.

(3) Max. 277V AC.

20/25...40 FLA 1- and 2-Pole

⚡ AC Coil Voltage Code

The cat. no. as listed is incomplete. Select a coil voltage code from the table below to complete the cat. no.
 Example: **Cat. No. 400-DP25N** becomes **Cat. No. 400-DP25NJ1**.

[V]	24	120	208/240	277	480
Code	J	D	A	F	B



All coils are rated at 50/60Hz

Coil Technical Data

		20/25...40 A Two-Pole Contactors					20/25...40 A Two-Pole Contactors				
Nominal AC Coil Voltage [V]		24	120	208/240	277	480	24	120	208/240	277	480
Maximum Pickup Volts		18	88	177	221	384	18	88	177	221	384
Drop-Out Volts Range		6...15	20...70	40...140	50...165	150...270	6...15	20...70	40...140	50...165	150...270
Nominal Inrush VA	50 Hz	31	31	31	31	31	33	33	33	33	33
	60 Hz	28	28	28	28	28	30	30	30	30	30
Nominal Sealed VA	50 Hz	6	6	6	6	6	8	8	8	8	8
	60 Hz	5	5	5	5	5	6.5	6.5	6.5	6.5	6.5
Nominal DC Resistance (Ω)		18	420	1800	2500	3050	11	237	1000	1600	3050

Arc Cover

Description	Cat. No.
20/25 and 30 A - 1-Pole	400-C1
20/25 and 30 A - 2-Pole	400-C2
40 A - 1 and 2 Pole	Standard

Auxiliary Contacts

Description	Cat. No.
1 N.O./1 N.C. w/QCs ⁽¹⁾	400-AB1
SPDT w/QCs ⁽²⁾	400-A1
2-SPDT w/QCs ⁽²⁾	400-A2

(1) Contact rating single-circuit N.O. or N.C.

(2) Contact rating SPDT:
 10 A, 1/3 Hp, 125 or 250V AC; (2)
 1/2 A, 125V DC;
 1/4 A, 250V DC;
 4 A 120V AC on lamp load



30 FLA Contactor 3-Pole with optional Coil Terminal Screws

Full Load Amps [A]	Number of Poles	Maximum Continuous Ampere Rating [A]		Line Voltage [V AC]	Locked Rotor Current [A]	Resistive Current Rating [A]	Voltage [V]	Max. Single Phase Hp		Cat. No.
		Tungsten Lamp Loads ⁽¹⁾⁽²⁾	Ballast Lighting Load ⁽³⁾					Single Phase	Three Phase	
20/25	3	25		240/277 480 600	150 125 100	35	110/120	2	—	400-DP25N ³
							200/208	—	7.5	
							240/277	5	10	
							480	—	15	
							600	—	20	
30	3	30		240/277 480 600	180 150 120	40	110/120	2	—	400-DP30N ³
							200/208	—	10	
							240/277	5	10	
							480	—	15	
							600	—	20	
40 ⁽¹⁾	3	40		240/277 480 600	240 200 120	50	110/120	3	—	400-DP40N ³
							200/208	—	10	
							240/277	7.5	10	
							480	—	20	
							600	—	20	

(1) To use ring terminals on 40 FLA and larger power connections add the suffix R to the catalog number. Example: Cat. No. 400-DP40N³ becomes Cat. No. 400-DP40N³-R.
 (2) Max. 250V AC.
 (3) Max. 277V AC.

⚡ AC Coil Voltage Code

The cat. no. as listed is complete. Select a coil voltage code from the table to complete the cat. no.
 Example: **Cat. No. 400-DP25N 3** becomes **Cat. No. 400-DP25NJ3**.

[V]	24	120	208/240	277	480
Code	J	D	A	F	B



All coils are rated at 50/60Hz

Coil Technical Data

Nominal AC Coil Voltage		24	120	208/240	277	347	480
Maximum Pickup Volts [V]		18	88	177	220	277	384
Drop-Out Volts Range		6...15	20...70	40...140	50...185	85...225	150...270
Nominal Inrush VA	50 Hz	65	65	65	65	65	65
	60 Hz	60	60	60	60	60	60
Nominal Sealed VA	50 Hz	7.5	7.5	7.5	7.5	7.5	7.5
	60 Hz	6	6	6	6	6	6
Nominal DC Resistance (Ω)		7	180	720	900	1330	2425

Auxiliary Contacts

Description	Cat. No.
1 N.O./1 N.C. w/QCs ⁽¹⁾	400-AB1
SPDT w/QCs ⁽²⁾	400-A1
2-SPDT w/QCs ⁽²⁾	400-A2

(1) Contact rating single-circuit N.O. or N.C.

(2) Contact rating SPDT:
 10 A, 1/3 Hp, 125 or 250V AC; (2)
 1/2 A, 125V DC;
 1/4 A, 250V DC;
 4 A 120V AC on lamp load

[V]		120	240	480	600
Current [A]⁽¹⁾	Break	3.0	1.5	0.75	0.6
	Make	30	15	7.5	6
	Continuous	10	10	10	10

50...90 FLA 3-Pole



3-Pole

Full Load Amps [A]	Number of Poles	Maximum Continuous Ampere Rating [A]		Line Voltage [V AC]	Locked Rotor Current [A]	Resistive Current Rating [A]	Voltage [V]	Max. Horsepower		Cat. No.
		Tungsten Lamp Loads ⁽¹⁾⁽²⁾	Ballast Lighting Load ⁽³⁾					Single Phase	Three Phase	
50 ⁽¹⁾⁽²⁾	3	53		240 480 600	300 250 200	65	110/120	3	—	400-DP50N ³
							200/208	7.5	15	
							220...240	10	15	
							480	—	25	
							600	—	25	
60 ⁽¹⁾⁽²⁾	3	53		240 480 600	360 300 240	75	110/120	5	—	400-DP60N ³
							200/208	7.5	25	
							220...240	10	25	
							480	—	30	
							600	—	30	
75 ⁽¹⁾⁽²⁾	3	63	—	240 480 600	450 375 300	93	110/120	5	—	400-DP75N ³
							200/208	10	20	
							240	15	25	
							480	—	40	
							600	—	40	
90 ⁽¹⁾⁽²⁾	3	63	—	240 480 600	450 375 300	120	110/120	7.5	—	400-DP90N ³
							200/208	15	25	
							240	20	30	
							480	—	50	
							600	—	50	

(1) To use ring terminals on 40 FLA and larger power connections add the suffix R to the catalog number. Example: Cat. No. 400-DP60N³ becomes Cat. No. 400-DP60N³-R.

(2) Max. 480V line 277V load.

(3) Fluorescent.



All coils are rated at 50/60Hz

⚡ AC Coil Voltage Code

The cat. no. as listed is incomplete. Select a coil voltage code from the table below to complete the cat. no.

Example: **Cat. No. 400-DP50N³** becomes **Cat. No. 400-DP50NJ3**.

[V]	24	120	208/240	277	480
Code	J	D	A	F	B



All coils are rated at 50/60Hz

Coil Technical Data

Nominal AC Coil Voltage [V]	24		120		208/240		277		480		
	50 & 60 A	75 & 90 A	50 & 60 A	75 & 90 A	50 & 60 A	75 & 90 A	50 & 60 A	75 & 90 A	50 & 60 A	75 & 90 A	
Maximum Pickup Volts [V]	18	18	93	88	177	177	235	220	374	384	
Drop-Out Volts Range	6...15	6...15	20...70	20...70	40...135	40...110	50...180	65...185	120...286	150...270	
Nominal Inrush VA	50 Hz	140	285	140	285	140	285	140	285	140	285
	60 Hz	132	240	132	240	132	240	132	240	132	240
Nominal Sealed VA	50 Hz	20	42	20	42	20	42	20	42	20	42
	60 Hz	14	27	14	27	14	27	14	27	14	27
Nominal DC Resistance (Ω)	2.4	0.63	45	15.6	180	63.5	280	84	852	255	

Auxiliary Contacts

Description	Cat. No.
1 N.O./1 N.C. w/QCs and screws ⁽¹⁾	400-AB6
1 N.O. w/QCs and screws ⁽²⁾	400-A6
1 N.C. w/QCs and screws ⁽²⁾	400-B6

(1) Contact rating single-circuit N.O. or N.C.

(2) Contact rating SPDT:
 10 A, 1/3 Hp, 125 or 250V AC; (2)
 1/2 A, 125V DC;
 1/4 A, 250V DC;
 4 A 120V AC on lamp load

[V]		120	240	480	600
Current [A] ⁽¹⁾	Break	3.0	1.5	0.75	0.6
	Make	30	15	7.5	6
	Continuous	10	10	10	10

20/25...40 FLA 4-Pole



4-Pole

Full Load Amps [A]	Number of Poles	Maximum Continuous Ampere Rating [A]		Line Voltage [V AC]	Locked Rotor Current [A]	Resistive Current Rating [A]	Voltage [V]	Max. Horsepower		Cat. No.
		Tungsten Lamp Loads ⁽¹⁾	Ballast Lighting Load ⁽²⁾					Single Phase	Three Phase	
20/25	4	25		240/277 480 600	150 125 100	35	110/120	2	—	400-DP25N ⁴
							200/208	—	7.5	
							240/277	5	10	
							480	—	15	
							600	—	20	
30	4	30		240/277 480 600	180 150 120	40	110/120	5	—	400-DP30N ⁴
							200/208	7.5	25	
							220...240	10	25	
							480	—	30	
							600	—	30	
40	4	40		240/277 480 600	240 200 120	50	110/120	5	—	400-DP40N ⁴
							200/208	10	20	
							240	15	25	
							480	—	40	
							600	—	40	

(1) Max. 250V AC.

(2) Max. 277V AC.



All coils are rated at 50/60Hz

⚡ AC Coil Voltage Code

The cat. no. as listed is incomplete. Select a coil voltage code from the table below to complete the cat. no.

Example: **Cat. No. 400-DP25N⁴** becomes **Cat. No. 400-DP25NJ4**.

[V]	24	120	208/240	277	480
Code	J	D	A	F	B



All coils are rated at 50/60Hz

Coil Technical Data

Nominal AC Coil Voltage [V]		24	120	208/240	277	347	480
Maximum Pickup Volts [V]		18	88	177	235	277	384
Drop-Out Volts Range		6...15	20...70	40...140	65...185	85...225	150...270
Nominal Inrush VA	50 Hz	62	62	62	62	62	62
	60 Hz	60	60	60	60	60	60
Nominal Sealed VA	50 Hz	9	9	9	9	9	9
	60 Hz	7	7	7	7	7	7
Nominal DC Resistance (Ω)		6	150	600	750	750	2195

Auxiliary Contacts - Series B Contactors



Description	Cat. No.
1 N.O./1 N.C. w/QCs ⁽¹⁾	400-AB1
SPDT w/QCs ⁽²⁾	400-A1
2-SPDT w/QCs ⁽²⁾	400-A2

(1) Contact rating single-circuit N.O. or N.C.

(2) Contact rating SPDT:
 10 A, 1/3 Hp, 125 or 250V AC; (2)
 1/2 A, 125V DC;
 1/4 A, 250V DC;
 4 A 120V AC on lamp load

[V]		120	240	480	600
Current [A]⁽¹⁾	Break	3.0	1.5	0.75	0.6
	Make	30	15	7.5	6
	Continuous	10	10	10	10

Accessories/Modifications

	Description	For use with	Cat. No.
	Mechanical Interlock Kit	20/25...40 A 3-pole	400-MK1
	DIN Rail Adapter	20/25...40 A 1...4-pole	400-DRA

20/25...40 FLA 1- and 2-Pole

Line and Load Terminals		#10-32 screw or box lug
Wire Size	#10-32 screw	#16...8 AWG (stranding must be split for #8 wire)
	Box Lug	#14...4 AWG
Mechanical Life		1 000 000 operations
Electrical Life		250 000 operations
Recommended Tightening Torque	#10-32 screw	25 lb•in
	Box Lug	40 lb•in
Quick Connects	Power terminals	Dual 0.250 QC (2)
	Coil terminals	1-Pole: Quad 0.250 QC 2-Pole: Dual or Quad 0.250 QC
Arc Cover		Optional
Insulation System		130 °C Class B
Temperature Range		-40...+65 °C (-40...+150 °F)
Mounting Position	Vertical	All positions
	Horizontal	Base down only
Weight	1-Pole	0.5 lb (0.26 kg)
	2-Pole	0.6 lb (0.27 kg)

20/25...40 FLA 3-Pole

Line and Load Terminals		#10-32 screw or box lug
Wire Size	#10-32 screw	#16...8 AWG (stranding must be split for #8 wire)
	Box Lug	#14...4 AWG
Mechanical Life		1 000 000 operations
Electrical Life		250 000 operations
Recommended Tightening Torque	#10-32 screw	25 lb•in
	Box Lug	40 lb•in
Quick Connects	Power terminals	Dual 0.250 QC (2)
	Coil terminals	Quad 0.250 QC
Arc Cover		Standard
Insulation System		130 °C Class B
Temperature Range		-40...+65 °C (-40...+150 °F)
Mounting Position	Vertical	All positions
	Horizontal	Base down only
Weight		1 lb (0.45 Kg)

50...60 FLA 3-Pole

Line and Load Terminals		Box lug
Wire Size		#14...2 AWG
Mechanical Life		500 000 operations
Electrical Life		250 000 operations
Recommended Tightening Torque		50 lb•in
Quick Connects	Power terminals	Dual 0.250 QC (2)
	Coil terminals	#6-32 screw and 0.250 QC (2)
Arc Cover		Standard
Insulation System		130 °C Class B
Temperature Range		-40...+65 °C (-40...+150 °F)
Mounting Position	Vertical	All positions
	Horizontal	Base down only
Weight		2 lb (0.91 Kg)



All coils are rated at 50/60Hz

75...90 FLA 3-Pole

Line and Load Terminals		Box lug
Wire Size		#14...1/0 AWG
Mechanical Life		500 000 operations
Electrical Life		100 000 operations
Recommended Tightening Torque		50 lb•in
Quick Connects	Power terminals	Dual 0.250 QC
	Coil terminals	#6-32 screw and 0.250 QC (2)
Arc Cover		Standard
Insulation System		130 °C Class B
Temperature Range		-40...+65 °C (-40...+150 °F)
Mounting Position	Vertical	All positions
	Horizontal	Base down only
Weight		4 lb (1.81 Kg)

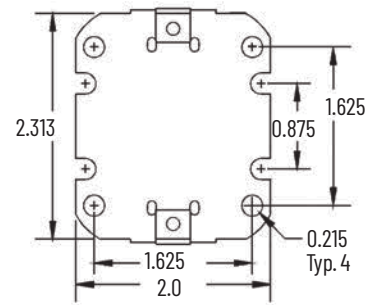
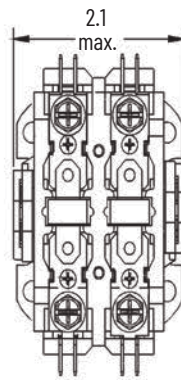
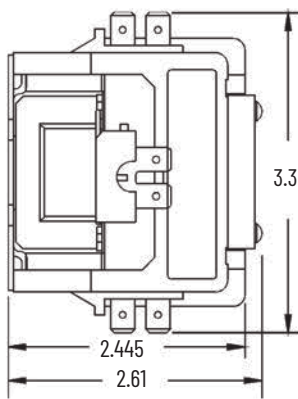
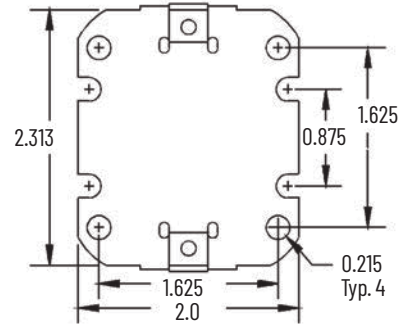
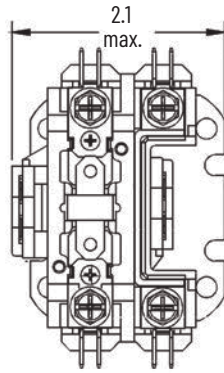
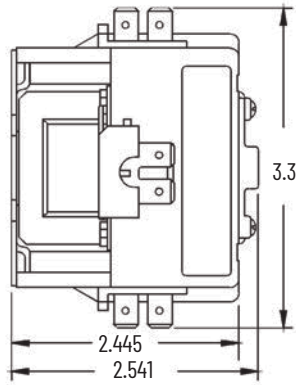
20/25...40 FLA 4-Pole

Line and Load Terminals		#10-32 screw or box lug
Wire Size	#10-32 screw	#16...8 AWG (stranding must be split for #8 wire)
	Box Lug	#14...4 AWG
Mechanical Life		1 000 000 operations
Electrical Life		250 000 operations
Recommended Tightening Torque	#10-32 screw	25 lb•in
	Box Lug	40 lb•in
Quick Connects	Power terminals	Dual 0.250 QC (2)
	Coil terminals	Quad 0.250 QC
Arc Cover		Standard
Insulation System		130 °C Class B
Temperature Range		-40...+65 °C (-40...+150 °F)
Mounting Position	Vertical	All positions
	Horizontal	Base down only
Weight		1.5 lb (0.68 Kg)

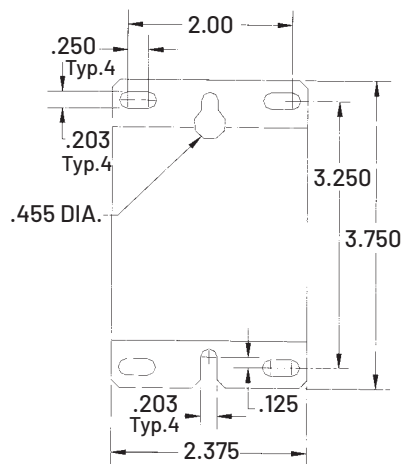
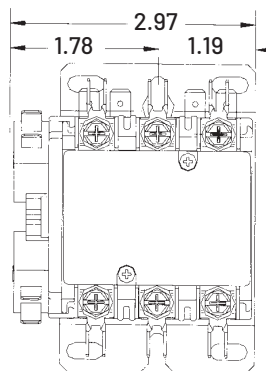
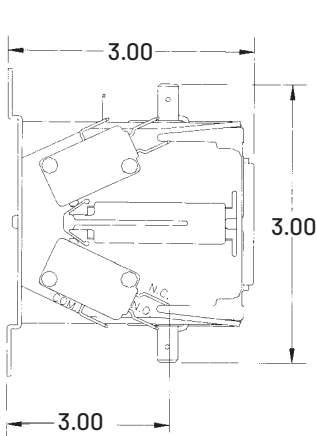
Approximate Dimensions

Dimensions shown in inches. Dimensions are not intended to be used for manufacturing purposes.

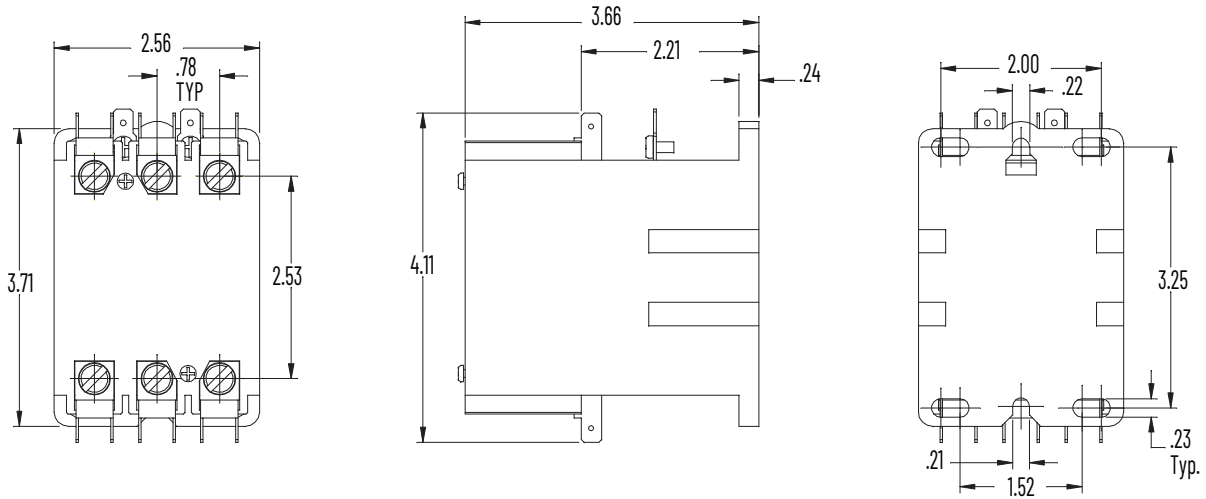
20/25...40 FLA 1- and 2-Pole



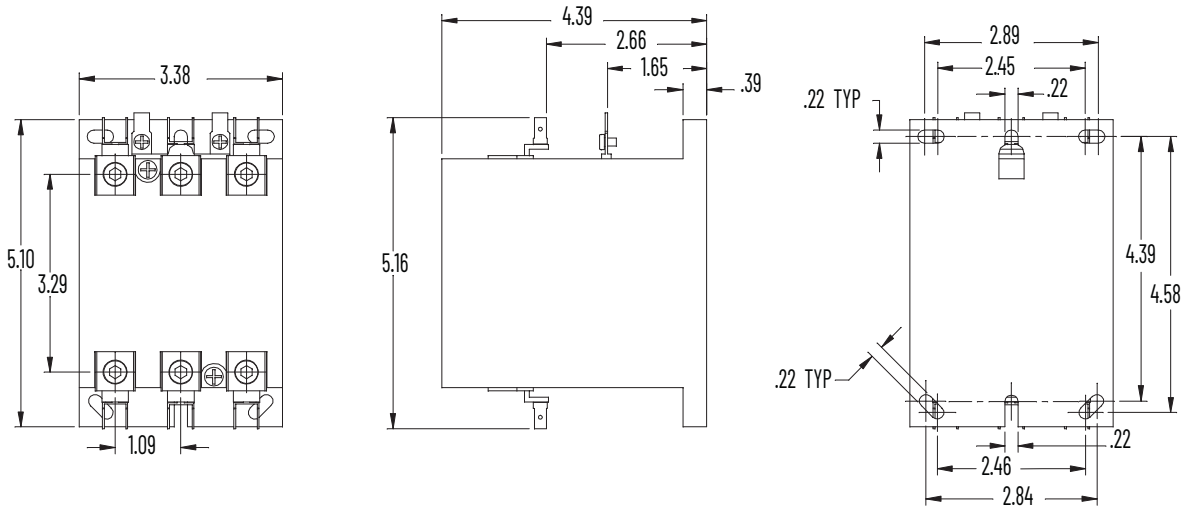
20/25...40 FLA 3-Pole



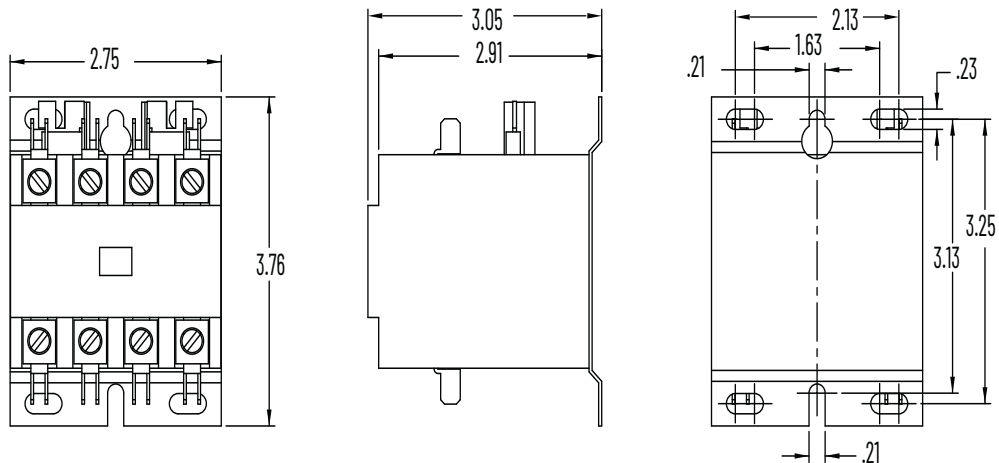
50 and 60 FLA 3-Pole



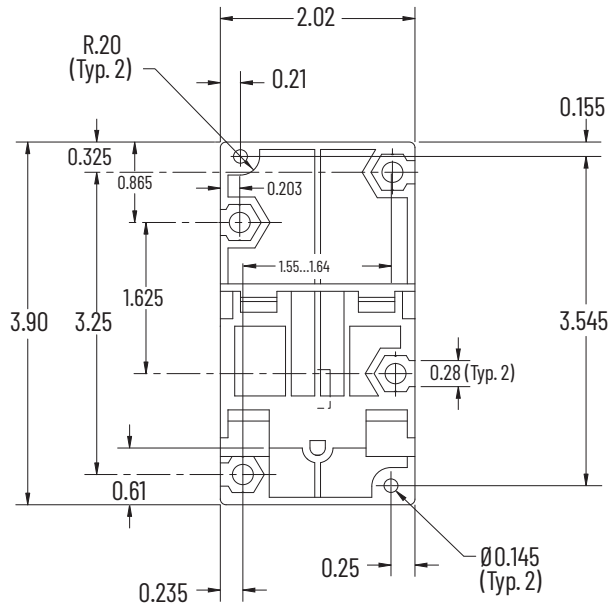
75 and 90 FLA 3-Pole



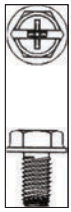
20/25...40 FLA 4-Pole



DIN Rail Adaptors



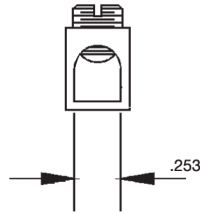
Terminations



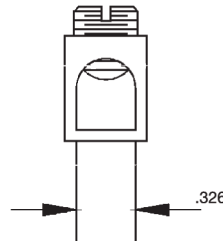
Standard on DP25 and DP30
#10-32 combination
Phillips, slotted and 5/16
hex head #12 washer



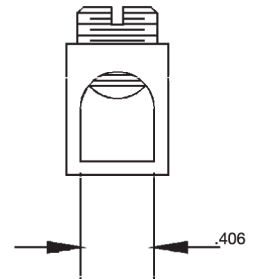
Special on DP25,
DP30, and DP40
#10-32 Sems screw with
pressure plate



40 FLA Lug
#14...4 AWG



50 and 60 FLA Lug
#14...2 AWG



75 and 90 FLA Lug
#14...1/0 AWG

Notes:

Additional Resources

These documents contain additional information concerning related products from Rockwell Automation. You can view or download publications at rok.auto/literature.

Resource	Description
UL Standards Listing for Industrial Control Products, publication CMPNTS-SR002	Assists original equipment manufacturers (OEMs) with construction of panels, to help ensure that they conform to the requirements of Underwriters Laboratories.
American Standards, Configurations, and Ratings: Introduction to Motor Circuit Design, publication IC-AT001	Provides an overview of American motor circuit design based on methods that are outlined in the NEC.
Safety Guidelines for the Application, Installation, and Maintenance of Solid-state Control, publication SGI-1.1	Designed to harmonize with NEMA Standards Publication No. ICS 1.1-1987 and provides general guidelines for the application, installation, and maintenance of solid-state control in the form of individual devices or packaged assemblies incorporating solid-state components.
Industrial Automation Wiring and Grounding Guidelines, publication 1770-4.1	Provides general guidelines for installing a Rockwell Automation industrial system.
Product Selection and Configuration tools, rok.auto/systemtools	Helps configure complete, valid catalog numbers and build complete quotes based on detailed product information.
Rockwell Automation Global SCCR tool, rok.auto/sccr	Provides coordinated high-fault branch circuit solutions for motor starters, soft starters, and component drives.
Product Certifications website, rok.auto/certifications	Provides declarations of conformity, certificates, and other certification details.

Rockwell Automation Support

Use these resources to access support information.

Technical Support Center	Find help with how-to videos, FAQs, chat, user forums, Knowledgebase, and product notification updates.	rok.auto/support
Local Technical Support Phone Numbers	Locate the telephone number for your country.	rok.auto/phonesupport
Technical Documentation Center	Quickly access and download technical specifications, installation instructions, and user manuals.	rok.auto/techdocs
Literature Library	Find installation instructions, manuals, brochures, and technical data publications.	rok.auto/literature
Product Compatibility and Download Center (PCDC)	Download firmware, associated files (such as AOP, EDS, and DTM), and access product release notes.	rok.auto/pcdc

Documentation Feedback

Your comments help us serve your documentation needs better. If you have any suggestions on how to improve our content, complete the form at rok.auto/docfeedback.

Allen-Bradley, expanding human possibility, and Rockwell Automation are trademarks of Rockwell Automation, Inc. Trademarks not belonging to Rockwell Automation are property of their respective companies.

Rockwell Automation maintains current product environmental compliance information on its website at rok.auto/pec.

Rockwell Automation NV Commercial Registration Number 0424.293.935
Rockwell Otomasyon Ticaret A.Ş. Kar Plaza İş Merkezi E Blok Kat:6 34752, İçerenköy, İstanbul, Tel: +90 (216) 5698400 EEE Yönetmeliğine Uygundur

Connect with us.    

rockwellautomation.com ————— **expanding human possibility®**

AMERICAS: Rockwell Automation, 1201 South Second Street, Milwaukee, WI 53204-2496 USA, Tel: (1) 414.382.2000

EUROPE/MIDDLE EAST/AFRICA: Rockwell Automation NV, Pegasus Park, De Kleetlaan 12a, 1831 Diegem, Belgium, Tel: (32) 2663 0600

ASIA PACIFIC: Rockwell Automation SEA Pte Ltd, 2 Corporation Road, #04-05, Main Lobby, Corporation Place, Singapore 618494, Tel: (65) 6510 6608

UNITED KINGDOM: Rockwell Automation Ltd., Pitfield, Kiln Farm, Milton Keynes, MK11 3DR, United Kingdom, Tel: (44)(1908) 838-800

Publication 400DP-TD001B-EN-P - July 2025

Supersedes Publication 400DP-TD001A-EN-P - August 2014

Copyright © 2025 Rockwell Automation, Inc. All rights reserved. Printed in the U.S.A.